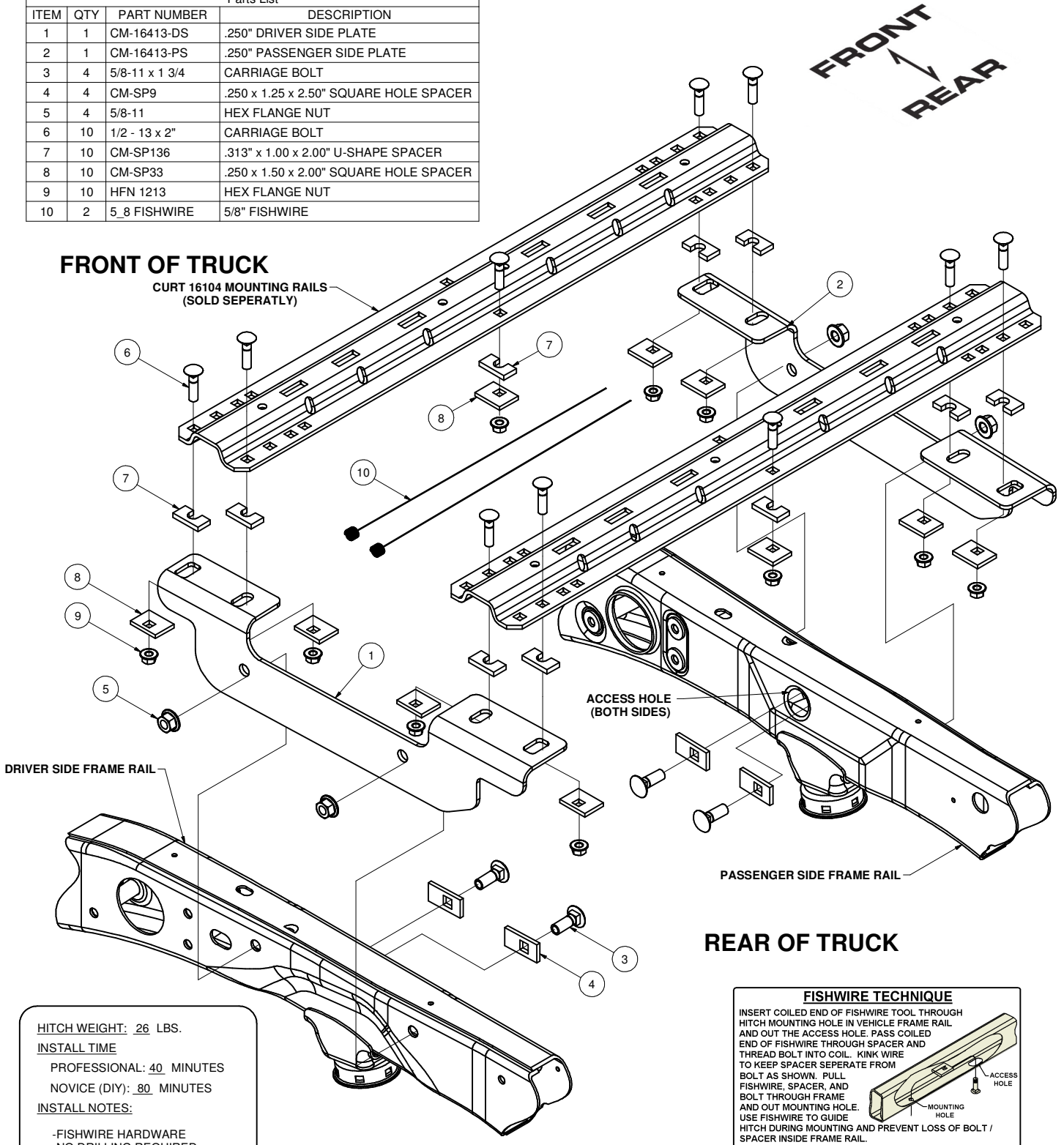


DO NOT EXCEED VEHICLE MANUFACTURER'S RECOMMENDED TOWING CAPACITY.

HAVING INSTALLATION QUESTIONS? CALL TECHNICAL SUPPORT AT 1-800-798-0813

| Parts List | | | | |
|------------|-----|----------------|--|--|
| ITEM | QTY | PART NUMBER | DESCRIPTION | |
| 1 | 1 | CM-16413-DS | .250" DRIVER SIDE PLATE | |
| 2 | 1 | CM-16413-PS | .250" PASSENGER SIDE PLATE | |
| 3 | 4 | 5/8-11 x 1 3/4 | CARRIAGE BOLT | |
| 4 | 4 | CM-SP9 | .250 x 1.25 x 2.50" SQUARE HOLE SPACER | |
| 5 | 4 | 5/8-11 | HEX FLANGE NUT | |
| 6 | 10 | 1/2 - 13 x 2" | CARRIAGE BOLT | |
| 7 | 10 | CM-SP136 | .313" x 1.00 x 2.00" U-SHAPE SPACER | |
| 8 | 10 | CM-SP33 | .250 x 1.50 x 2.00" SQUARE HOLE SPACER | |
| 9 | 10 | HFN 1213 | HEX FLANGE NUT | |
| 10 | 2 | 5_8 FISHWIRE | 5/8" FISHWIRE | |



HITCH WEIGHT: 26 LBS.
INSTALL TIME
 PROFESSIONAL: 40 MINUTES
 NOVICE (DIY): 80 MINUTES
INSTALL NOTES:
 -FISHWIRE HARDWARE
 -NO DRILLING REQUIRED

FISHWIRE TECHNIQUE
 INSERT COILED END OF FISHWIRE TOOL THROUGH HITCH MOUNTING HOLE IN VEHICLE FRAME RAIL AND OUT THE ACCESS HOLE. PASS COILED END OF FISHWIRE THROUGH SPACER AND THREAD BOLT INTO COIL. KINK WIRE TO KEEP SPACER SEPARATE FROM BOLT AS SHOWN. PULL FISHWIRE, SPACER, AND BOLT THROUGH FRAME AND OUT MOUNTING HOLE. USE FISHWIRE TO GUIDE HITCH DURING MOUNTING AND PREVENT LOSS OF BOLT / SPACER INSIDE FRAME RAIL.
 NOTE: SOME VEHICLES MAY FISHWIRE THROUGH END OF FRAME

PERIODICALLY CHECK THIS RECEIVER HITCH TO ENSURE THAT ALL FASTENERS ARE TIGHT AND THAT ALL STRUCTURAL COMPONENTS ARE SOUND.

Curt Manufacturing Inc., warrants this product to be free of defects in material and/or workmanship at the time of retail purchase by the original purchaser. If the product is found to be defective, Curt Manufacturing Inc., may repair or replace the product, at their option, when the product is returned, prepaid, with proof of purchase. Alteration to, misuse of, or improper installation of this product voids the warranty. Curt Manufacturing Inc.'s liability is limited to repair or replacement of products found to be defective, and specifically excludes liability for incidental or consequential loss or damage.

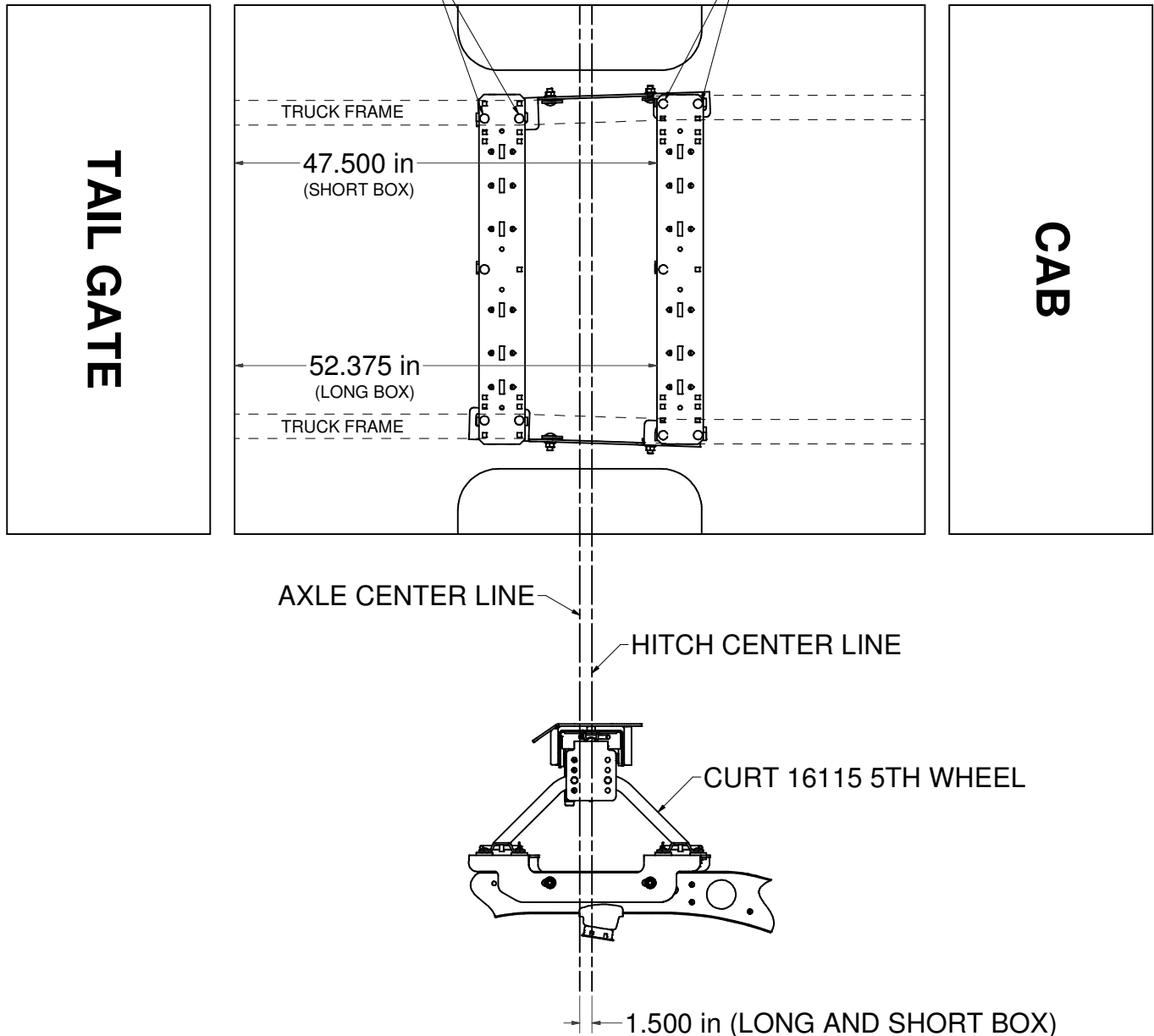
HAVING INSTALLATION QUESTIONS? CALL TECHNICAL SUPPORT AT 1-800-798-0813

RAIL LOCATION DIAGRAM

!IMPORTANT!
 SYSTEM MAY NOT WORK WITH
 2003 AND EARLIER COMPETITOR
 PRODUCTS

REAR MOUNTING RAIL USES SECOND HOLES IN FROM OUTSIDE

FORWARD MOUNTING RAIL USES THE OUTER MOST HOLES



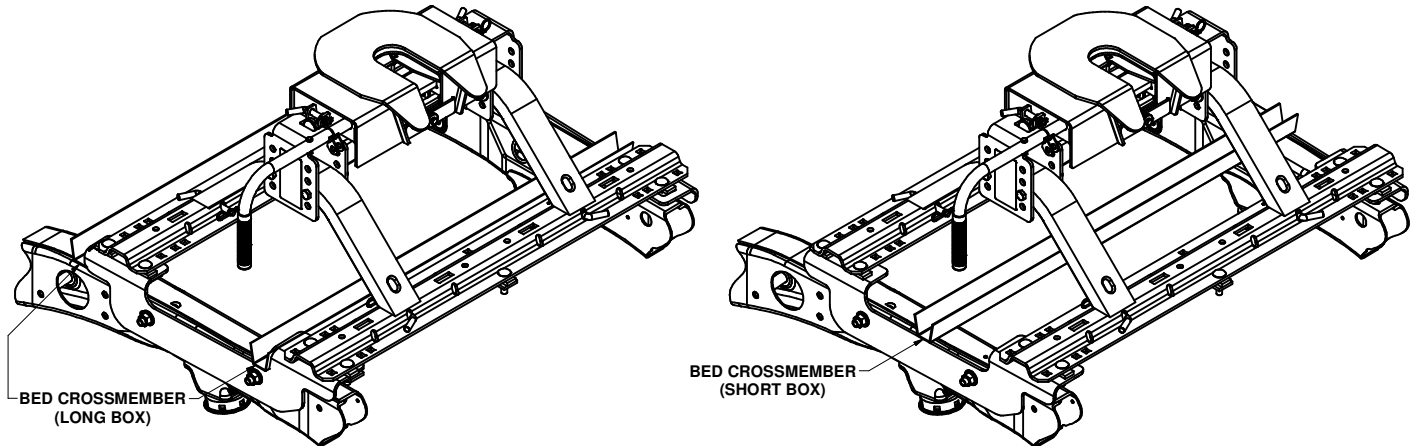
PERIODICALLY CHECK THIS RECEIVER HITCH TO ENSURE THAT ALL FASTENERS ARE TIGHT AND THAT ALL STRUCTURAL COMPONENTS ARE SOUND.

Curt Manufacturing Inc., warrants this product to be free of defects in material and/or workmanship at the time of retail purchase by the original purchaser. If the product is found to be defective, Curt Manufacturing Inc., may repair or replace the product, at their option, when the product is returned, prepaid, with proof of purchase. Alteration to, misuse of, or improper installation of this product voids the warranty. Curt Manufacturing Inc.'s liability is limited to repair or replacement of products found to be defective, and specifically excludes liability for incidental or consequential loss or damage.

HAVING INSTALLATION QUESTIONS? CALL TECHNICAL SUPPORT AT 1-800-798-0813

!WARNING!

- Do not install mounting rails over plastic bed liners. Plastic liners must be trimmed for metal-to-metal contact. May be installed on spray in liner.
- Use only supplied fasteners for installation.
- Before installing hitch measure to be sure there will be enough clearance between the truck and trailer to allow for turns.
- Frame rail must be clear of any electrical or brake components where side plates attach.



INSTALLATION STEPS

1. Place one mounting rail in the box of the truck, using your tape measure, center the rail on the truck box floor at the proper distance from the rear edge of the truck box as shown on the "RAIL LOCATION DIAGRAM" on page 2.
2. Remove inner plastic fender liner (if present) by removing 4 screws and 3 plastic fasteners.
3. Using a center punch, mark the holes as per the rail location diagram. Drill (1) hole first and check by temporarily positioning the side plate on the side of the frame. Move the mounting rail out of the way and drill each position with a 1/8" drill bit.

NOTE: Use the outermost holes for drilling locations on forward mounting rail. Use the second holes in from the outside on rear mounting rail.
4. Temporarily position the side plates on the sides of the frame and check that all the 1/8" drilled holes align with the slots of the side plates. Remove the side plates from the vehicle.

NOTE: Move any electrical or braking components that may be trapped between the frame and side plates.
5. Enlarge the 1/8" drill holes to the 9/16" with a step drill.
6. Fishwire 5/8" carriage bolts and SP-9 spacers through the access hole and into position, as shown on page 1. Leave fishwires attached and raise the side plate into position. Finger tighten the side plate to the side of the frame using the 5/8" flange nuts. See "FISHWIRE TECHNIQUE" on page 1. Repeat on other side.
7. Reposition the mounting rail over the holes and fasten the mounting rail to the side plates using the supplied 1/2" carriage bolts. Use the supplied spacers between the frame bracket or mounting rails and the truck box to ensure a metal to metal contact and to eliminate "rib crush" of the bed. Use of a gear wrench will ease the tightening process.
8. Place the unassembled 5th wheel / roller / gooseneck hitch into the already installed mounting rail. Position the second mounting rail with the 5th wheel / roller / gooseneck hitch by inserting the tabs into the mounting rail and pushing the mounting rail tight towards the other mounting rail. Ensure that the mounting rail is centered on the truck box floor. This will position the rail in the correct location and ensure that the 5th wheel will have a snug fit to the truck. To ease the process of tightening rear fasteners remove the spare tire and fasteners from heat shield.

NOTE: If more than one hitch product will be used with the mounting rails then both should be used at the same time to align the second mounting rail. This will ensure that one product does not compromise the fit of the other.
9. Repeat steps 3, 4, 5, 6 and 7
10. First torque all 1/2" hardware to 110 ft-lbs and next torque all 5/8" hardware to 210 lb-ft.

PERIODICALLY CHECK THIS RECEIVER HITCH TO ENSURE THAT ALL FASTENERS ARE TIGHT AND THAT ALL STRUCTURAL COMPONENTS ARE SOUND.

Curt Manufacturing Inc., warrants this product to be free of defects in material and/or workmanship at the time of retail purchase by the original purchaser. If the product is found to be defective, Curt Manufacturing Inc., may repair or replace the product, at their option, when the product is returned, prepaid, with proof of purchase. Alteration to, misuse of, or improper installation of this product voids the warranty. Curt Manufacturing Inc.'s liability is limited to repair or replacement of products found to be defective, and specifically excludes liability for incidental or consequential loss or damage.