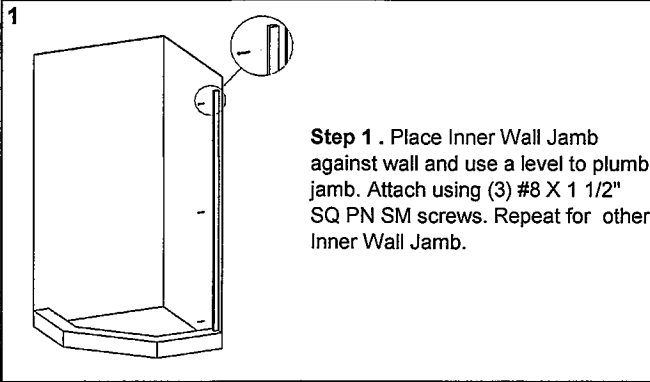
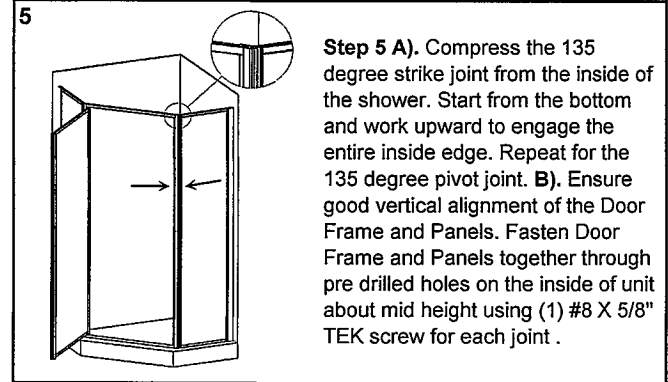


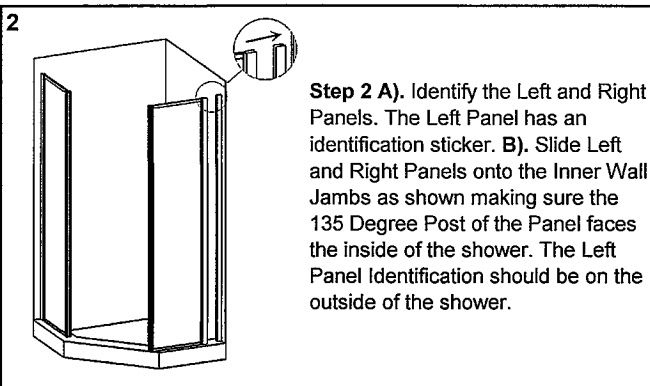
A025 – INSTALLATION INSTRUCTIONS



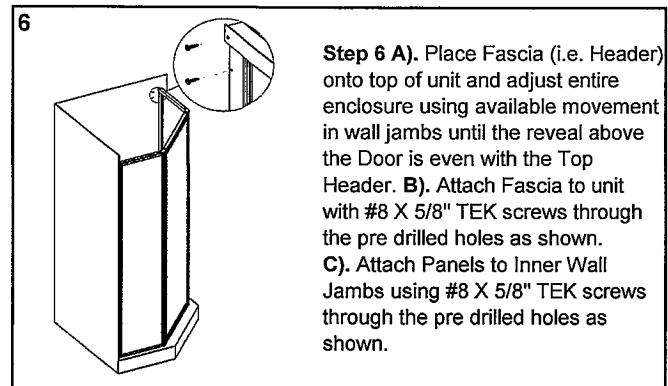
Step 1 . Place Inner Wall Jamb against wall and use a level to plumb jamb. Attach using (3) #8 X 1 1/2" SQ PN SM screws. Repeat for other Inner Wall Jamb.



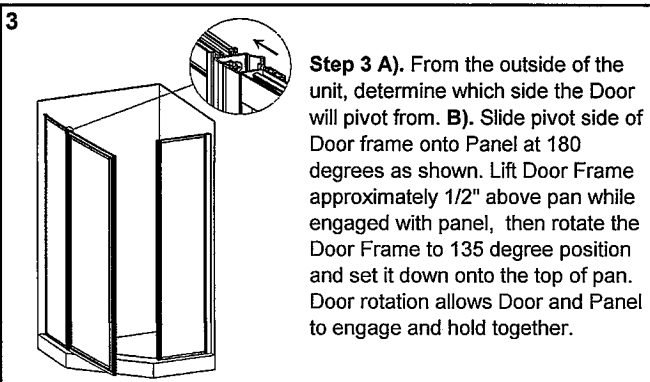
Step 5 A). Compress the 135 degree strike joint from the inside of the shower. Start from the bottom and work upward to engage the entire inside edge. Repeat for the 135 degree pivot joint. **B).** Ensure good vertical alignment of the Door Frame and Panels. Fasten Door Frame and Panels together through pre drilled holes on the inside of unit about mid height using (1) #8 X 5/8" TEK screw for each joint .



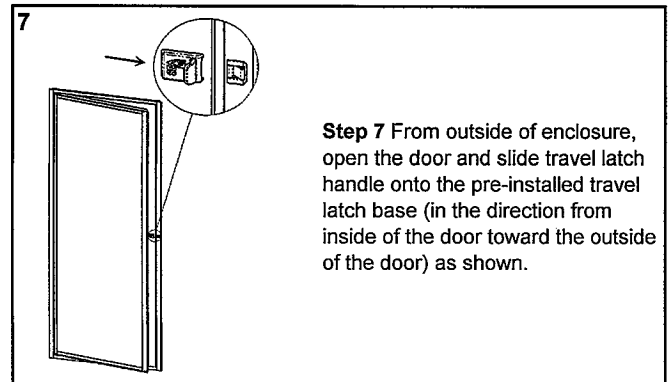
Step 2 A). Identify the Left and Right Panels. The Left Panel has an identification sticker. **B).** Slide Left and Right Panels onto the Inner Wall Jambs as shown making sure the 135 Degree Post of the Panel faces the inside of the shower. The Left Panel Identification should be on the outside of the shower.



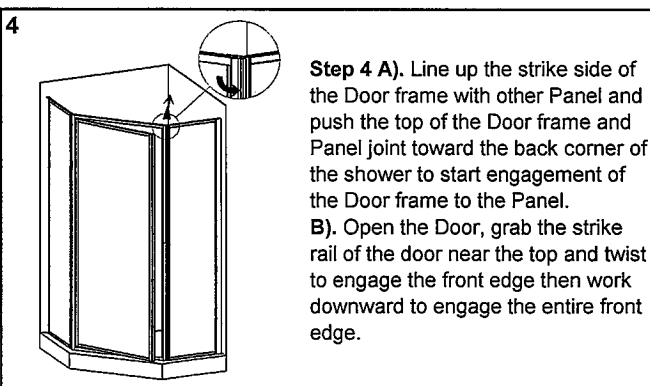
Step 6 A). Place Fascia (i.e. Header) onto top of unit and adjust entire enclosure using available movement in wall jambs until the reveal above the Door is even with the Top Header. **B).** Attach Fascia to unit with #8 X 5/8" TEK screws through the pre drilled holes as shown. **C).** Attach Panels to Inner Wall Jambs using #8 X 5/8" TEK screws through the pre drilled holes as shown.



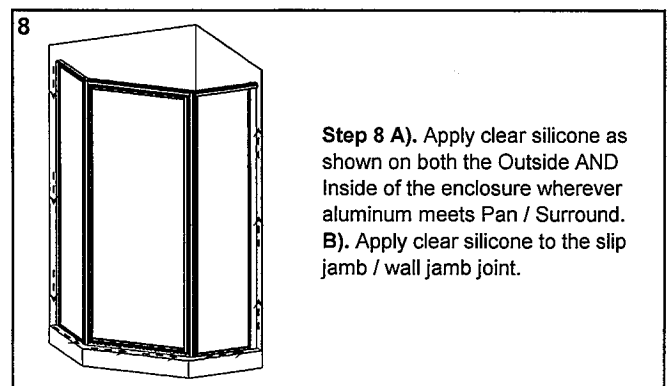
Step 3 A). From the outside of the unit, determine which side the Door will pivot from. **B).** Slide pivot side of Door frame onto Panel at 180 degrees as shown. Lift Door Frame approximately 1/2" above pan while engaged with panel, then rotate the Door Frame to 135 degree position and set it down onto the top of pan. Door rotation allows Door and Panel to engage and hold together.



Step 7 From outside of enclosure, open the door and slide travel latch handle onto the pre-installed travel latch base (in the direction from inside of the door toward the outside of the door) as shown.



Step 4 A). Line up the strike side of the Door frame with other Panel and push the top of the Door frame and Panel joint toward the back corner of the shower to start engagement of the Door frame to the Panel. **B).** Open the Door, grab the strike rail of the door near the top and twist to engage the front edge then work downward to engage the entire front edge.



Step 8 A). Apply clear silicone as shown on both the Outside AND Inside of the enclosure wherever aluminum meets Pan / Surround. **B).** Apply clear silicone to the slip jamb / wall jamb joint.

