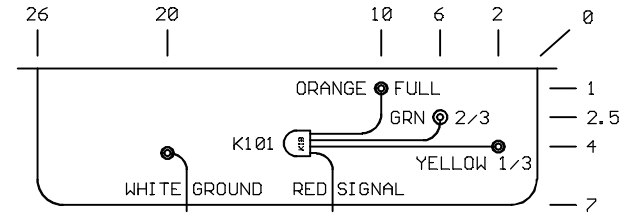
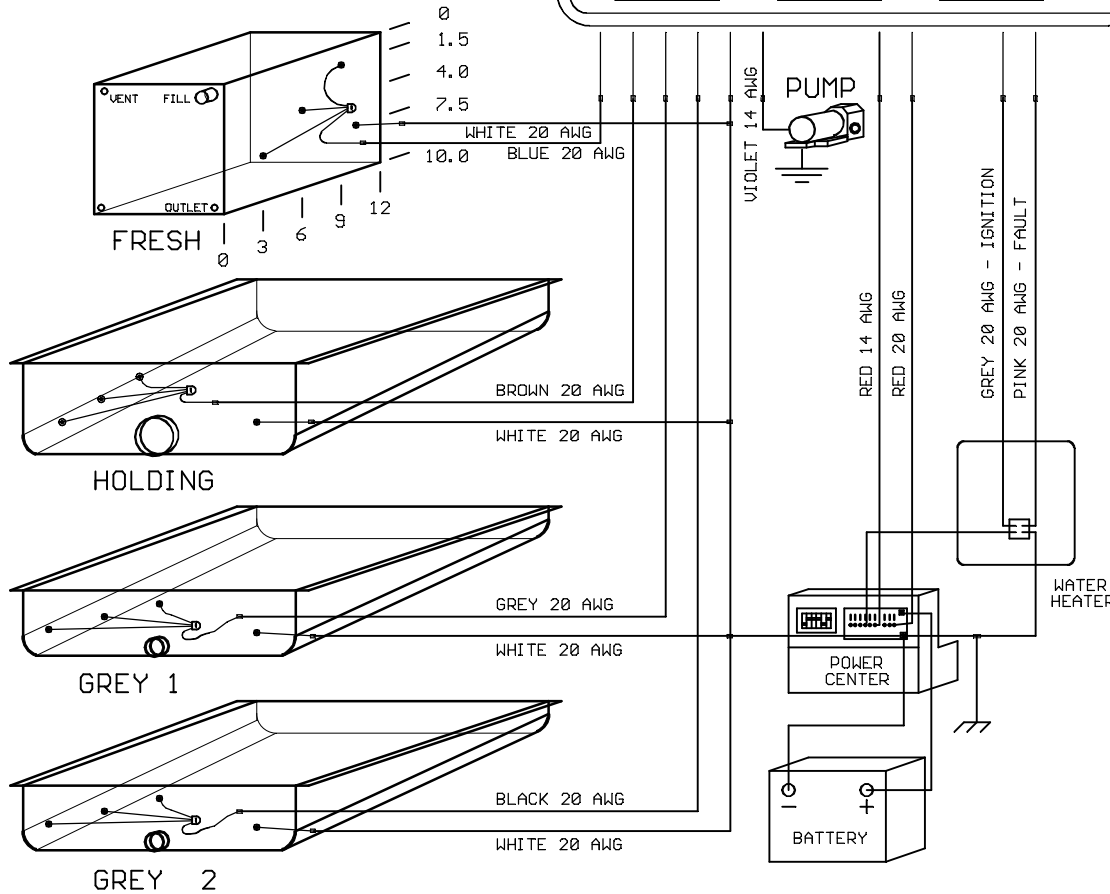
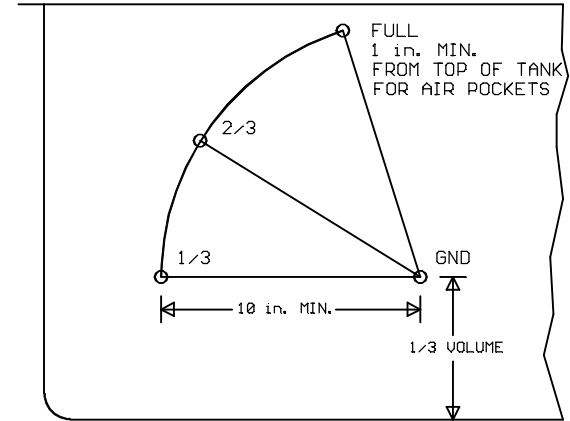
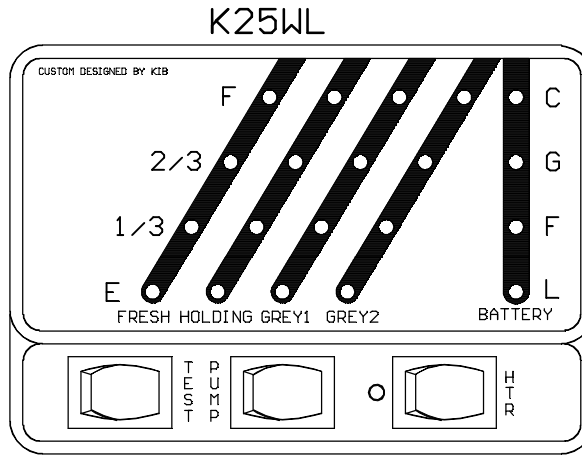


WIRING LEGEND	
RED 22 AWG	- FILTERED POSITIVE
RED 14 AWG	- POSITIVE VDC PUMP HEATER
VIOLET 14 AWG	- PUMP
WHITE	- GROUND
GREY	- GREY TANK
BLACK	- GREY 2 TANK
BROWN	- HOLDING
BLUE	- FRESH TANK
GREY 20 AWG	- HEATER IGNITION
PINK 20 AWG	- HEATER FAULT

REPLACEMENT PARTS	
PRINTED CIRCUIT BOARD	- # SUBPCBK28
PUMP/HEATER SWITCH	- # SWOKLED1
TEST SWITCH	- # SWMOMK1
RESISTOR PIGTAIL	- # K101



PLACE 1/3 AND GROUND INSERT AT 1/3 VOLUME.  
 PLACE GROUND INSERT NO LESS THAN 10 in. FROM OTHER INSERTS IN HOLDING AND GREY TANKS. USE ALL AVAILABLE SPACE.  
 ALL HOLDING & LPG TANK GROUNDS MUST BE ATTACHED TO MONITOR GROUND.

### MP1 PROBE INSTALLATION

MARK TANK PER PLACEMENT GUIDE.  
 DRILL HOLES USING 3/8 in. BIT. DRILL AT LOW SPEED.  
 INSERT MP1 INTO HOLE  
 REMOVE TOP 3/8 in NUT  
 TIGHTEN BOTTOM NUT UNTIL SNUG, DO NOT OVER TIGHTEN  
 \* USE NUT DRIVER, DO NOT USE SCREW GUN  
 ATTACH WIRE WITH NUT REMOVED EARLIER  
 SEAL EXPOSED CONNECTIONS WITH RED BATTERY SPRAY OR SILICON SEALER