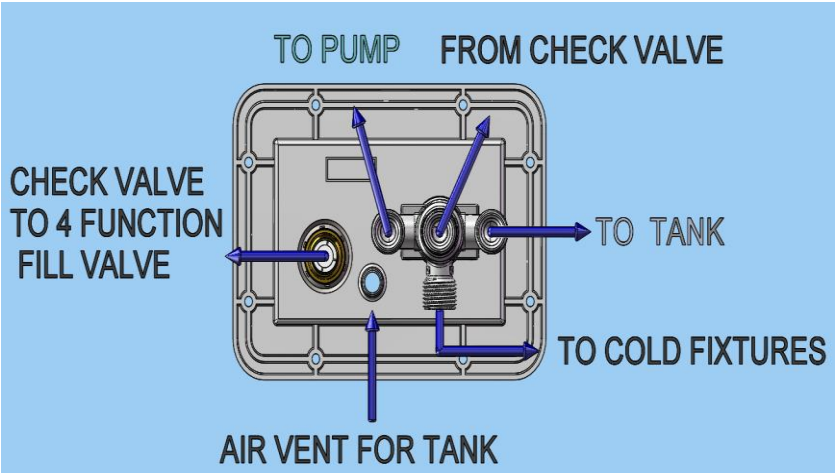
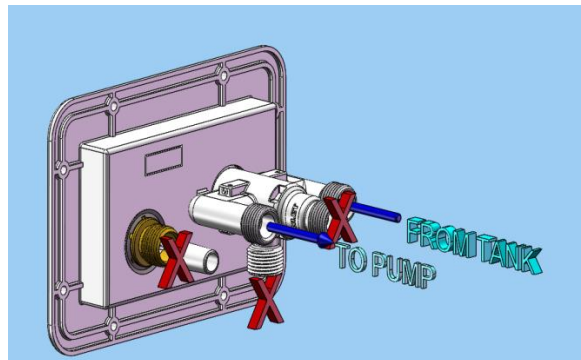


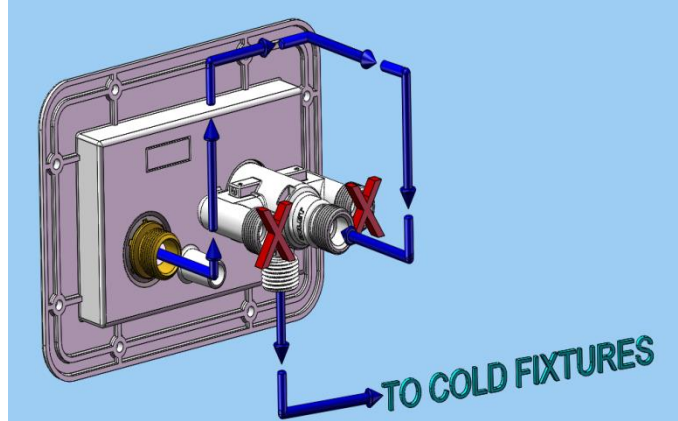
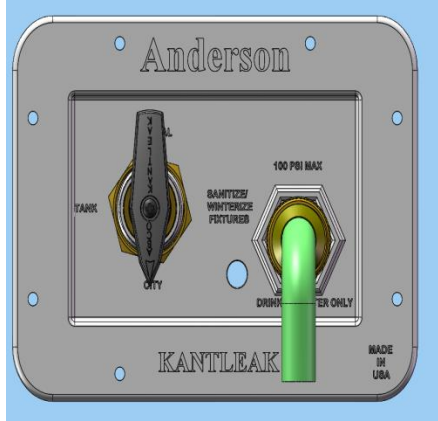
**200RV FLOW PATH**



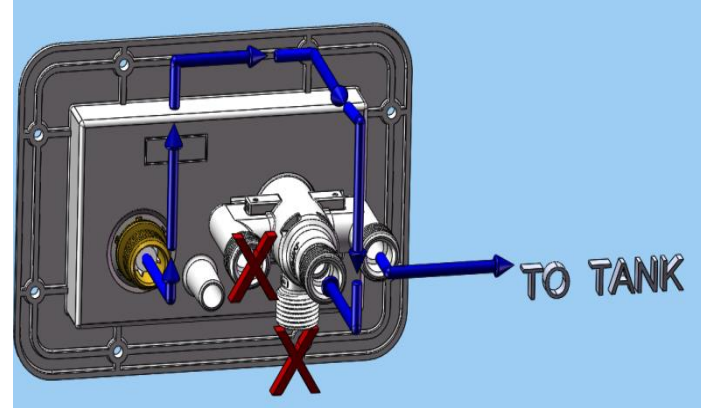
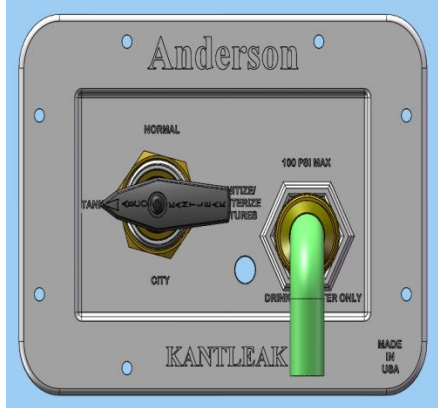
TO RUN COLD FIXTURES FROM STORAGE TANK (VIA RV PUMP)



TO RUN FIXTURES FROM PRESSURIZED CITY WATER



TO FILL STORAGE TANK FROM PRESSURIZED CITY WATER



TO SANITIZE /WINTERIZE COLD FIXTURES (NOT TANK) FROM UNPRESSURIZED SOURCE (VIA RV PUMP)

