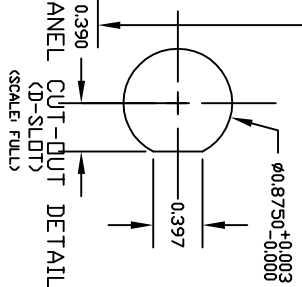
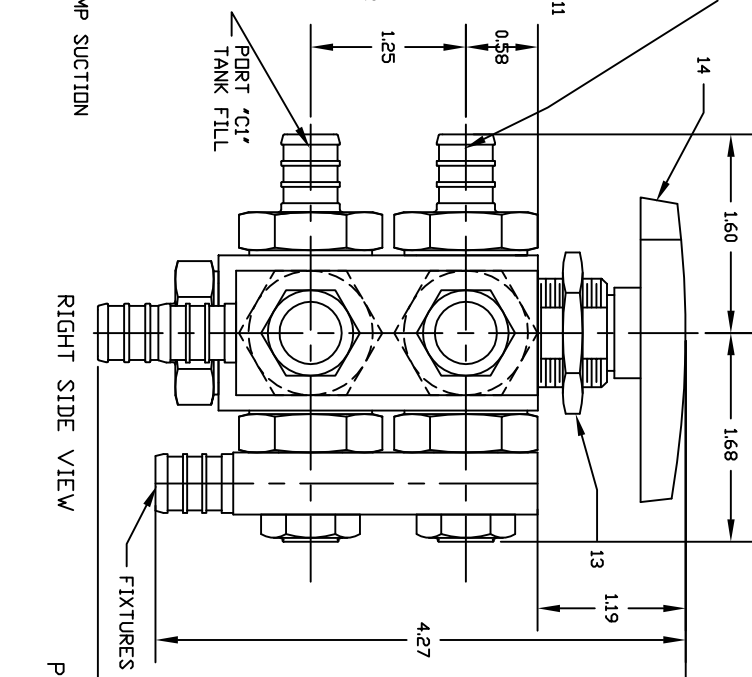
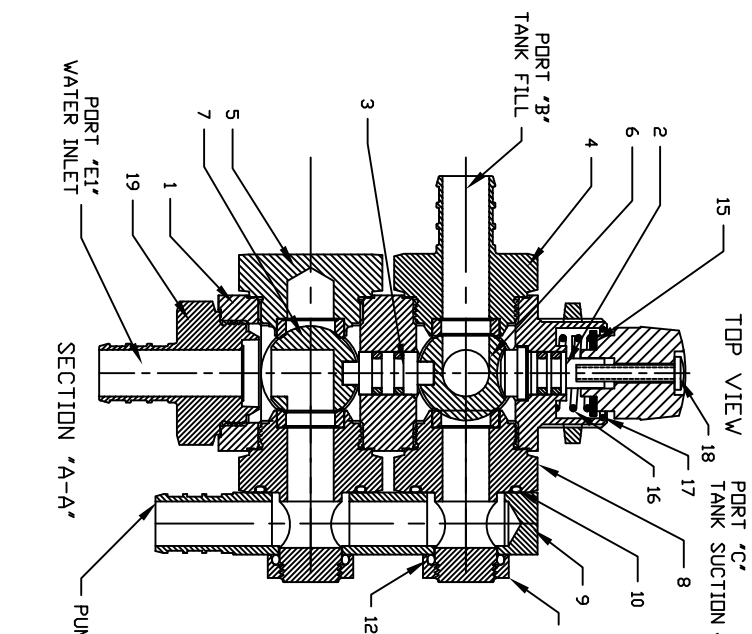
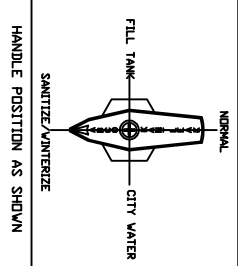


SANITIZE	CITY WATER	NORMAL	FILL TANK	HANDLE POSITION
(270°)	(0°)	(90°)	(180°)	
TO TANK FROM PUMP TO TANK FROM CITY WATER CONNECTION	TO TANK FROM PUMP TO TANK FROM CITY WATER CONNECTION	TO TANK FROM PUMP TO TANK FROM CITY WATER CONNECTION	TO TANK FROM PUMP TO TANK FROM CITY WATER CONNECTION	TO TANK FROM PUMP TO TANK FROM CITY WATER CONNECTION
FROM PUMP TO TANK FROM PUMP TO TANK FROM CITY WATER CONNECTION	FROM PUMP TO TANK FROM PUMP TO TANK FROM CITY WATER CONNECTION	FROM PUMP TO TANK FROM PUMP TO TANK FROM CITY WATER CONNECTION	FROM PUMP TO TANK FROM PUMP TO TANK FROM CITY WATER CONNECTION	FROM PUMP TO TANK FROM PUMP TO TANK FROM CITY WATER CONNECTION
BOTTOM BALL	TOP BALL			



NOTE:
 1) ALL CONNECTION FITTINGS ARE 1/2" CRIMPED TUBING
 2) DIMENSIONS ARE REFERENCE.
 3) LOCKTITE 242 USED ON ALL MANIFOLD NUT 3X51
 4) * NOT SHOWN

BILL OF MATERIALS

ITEM QTY	PART NO.	DESCRIPTION
1	M83000-P	BODY
2	SA-446	STEM ASSY. CYTON & BUNA D-RING
3	SA-476	CONNECTING STEM
4	SA593	1/2" CRIMPED RETAINER ASSY.
5	SA-445	BLANK RETAINER ASSY
6	7X26T-2P	TOP BALL
7	7X26A-1P	BOTTOM BALL
8	SA597	MANIFOLD RETAINER ASSY.
9	17X186	MANIFOLD
10	18X2-70	MANIFOLD RETAINER D-RING
11	4 3X51	MANIFOLD NUT
12	4 18X85-80	MANIFOLD NUT D-RING
13	1 3X41	PANEL NUT
14	1 8X75-2P	HANDLE
15	1 2X215-1	CLICK WASHER
16	1 13X80	SPRING
17	1 13X81	WIRE FORM RETAINER
18	1 6X66-2	HANDLE SCREW
19	1 17X129	1/2" CRIMPED RETAINER ONLY
20	1 17X124	MANIFOLD WITH STAMPING
*	1 17X124	PLASTIC BAG
*	LOT SEALANT #34	LOCKTITE 242
*	LOT SEALANT #35	LOCKTITE 680

DO NOT SCALE

FINISHED DIMENSION	TOLERANCE
xxx ± .010	1/2
xxx ± .005	UNLESS NOTED

THIS PRINT IS LOANED SUBJECT TO RETURN UPON DEMAND AND IS NOT TO BE USED DIRECTLY OR INDIRECTLY IN ANY WAY DETRIMENTAL TO OUR INTERESTS

DRAWN BY	DATE	APPROVED	SCALE
BTR	2-17-06	BTR	1:1

MATERIAL: ASSEMBLY

NAME: RV SWITCHING VALVE

REFERENCE: 9200ARV

PART NUMBER