

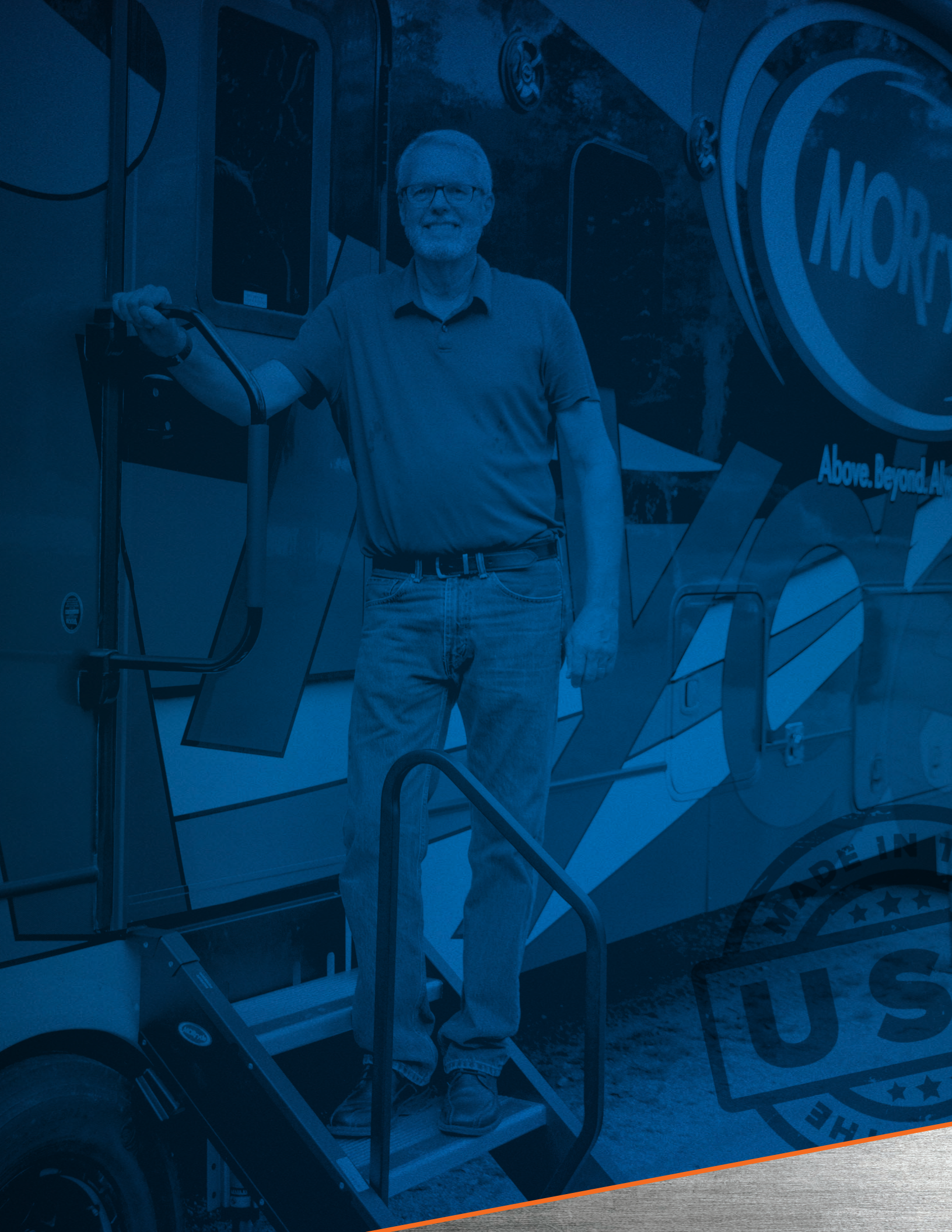
AFTERMARKET

PRODUCT CATALOG



Above. Beyond. Always.





MORTON

Above. Beyond. Always.

MADE IN THE U.S.

[Above. Beyond. Always.]

C O N T E N T S

4-13 **STEPABOVE® PRODUCTS**

StepAbove
Strut Assist Step
Quick Connect Step
Airstream® Step
Flip Tread Step
Patio Step
Step Accessories

14-17 **PIN BOX**

Rubber Pin Box
Rhino Pin Box
Orbital Rotating Pin Box

18-19 **SUSPENSION SYSTEMS**

CRE
SRE
IS
Heavy-Duty Shackles
X-Factor Crossmember

20-25 **TV MOUNTS**

Base Mounts
Wall Mounts
Ceiling Mounts
Specialty Mounts

26-27 **SLIDING TRAYS**

Cargo Trays
Hidden Drop Down Tray
Freezer Tray
Utility Tray
LP Tray

28 **POWER CORD REELS**

29 **CHAIR BUDDY**

30 **PATIO EX**

31 **STABILIZERS**

RV PRODUCTS
MOTORHOME & TOWABLES



A New Generation of

STEP



ABOVE

by MORryde



PRODUCTS

The StepAbove® family of products offers a simple, secure and safe way to enter and exit your trailer. A growing line of accessories are designed to complement and enhance your RV experience.



STEPABOVE 2nd Generation

Ideal for most travel trailers and fifth wheels.



STRUT ASSIST

The zero gravity step you can lift with a finger.



QUICK CONNECT

The clip on step that attaches to the outside of your unit. The choice when a StepAbove doesn't work with your unit.



AIRSTREAM® STEP

The step designed specifically for your Airstream®.



FLIP TREAD STEP

These steps are ideal for normal entry doors as well as floor plans with interior steps that protrude into the doorway.



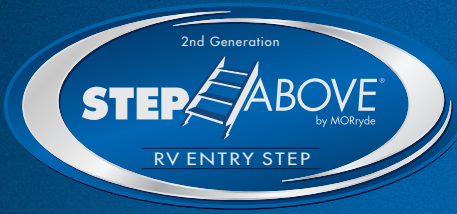
PATIO STEP

The ground stable patio steps offer added stability and safety as you enter and exit your rear or side patio.



STEP ACCESSORIES

Products designed to work with your steps for added safety, storage and convenience.



More Stable. More Secure. MORryde.

NEW FEATURES!



- 1 QUICK RELEASE HINGE:**
Allows for easy removal in tight spaces or when the unit is in storage.
- 2 WIDE TOP STEP:**
Larger top step for safe and secure footing.
- 3 GRADUAL STEP SLOPE:**
Redesigned step slope allows for full-foot placement on each step as you enter and exit your RV.
- 4 SELF-CONTAINED STORAGE:**
Stores securely inside the door for easy access.
- 5 QUICK RELEASE LEG ADJUSTMENT:**
Auto-deploy legs adjust and retract with a push of a button.





STEPABOVE®

Upgrade your trailer or 5th wheel with our innovative StepAbove step system to give you bounce-free, wobble-free stability. With adjustable feet, rough terrain is no problem for your StepAbove. Easily store and lock your StepAbove into your door entrance.

FEATURES

- Lightweight
- Stable entry to and exit from your RV
- Wide top step
- Quick release leg adjustment
- Gradual step slope for easier usage
- Easy removal in tight spaces



**INDUSTRY LEADING 500lb
WEIGHT CAPACITY**



PATENT PENDING

STEPABOVE FIT CHART



**BEFORE YOU ORDER
A STEP** review the **StepAbove Qualification Guide** to determine the correct StepAbove for your unit.

	PART NUMBER*	STEP HEIGHT	STEP RISE	DOOR WIDTH Size from Factory Label	—OR—	DOOR WIDTH Size from Flange to Flange
2 STEP	STP-201	25" – 29.5"	9"	24"		21.75" – 22.25"
	STP-202	25" – 29.5"	9"	26" – 28"		23.75" – 26.25"
3 STEP	STP-203	34" – 37"	9"	24"		21.75" – 22.25"
	STP-204	30" – 33.5"	8"	24"		21.75" – 22.25"
	STP-206	30" – 33.5"	8"	26" – 28"		23.75" – 26.25"
	STP-207	34" – 37"	9"	26" – 28"		23.75" – 26.25"
	STP-208	30" – 33.5"	8"	30" – 32"		27.75" – 30.25"
	STP-209	34" – 37"	9"	30" – 32"		27.75" – 30.25"
	4 STEP	STP-212	37.5" – 42"	8"	26" – 28"	
STP-213		37.5" – 42"	8"	30" – 32"		27.75" – 30.25"

STRUT ASSIST STEP

Easily operate your StepAbove step system for your travel trailer or 5th wheel with our innovative strut assist. The self-contained, ground-stable entry system provides sure footing when you enter or exit your RV.

FEATURES

- Gas struts lift and lower step
- Weightless operation
- Lightweight pull-down design
- Easy storage
- 500 lb weight capacity



EASILY LIFT WITH ONE FINGER

STRUT ASSIST FIT CHART

	PART NUMBER*	STEP HEIGHT	STEP RISE	DOOR WIDTH Size from Factory Label	—OR—	DOOR WIDTH Size from Flange to Flange
3 STEP	STP-205	31.5" – 37"	9"	26"		23.75" – 24.25"
	STP-210	31.5" – 37"	9"	30"		27.75" – 28.25"
4 STEP	STP-211	37.5" – 42"	8"	26"		23.75" – 24.25"
	STP-214	37.5" – 42"	8"	30"		27.75" – 28.25"



BEFORE YOU ORDER
A STEP review the **Strut Assist Qualification Guide** to determine the correct StepAbove for your unit.

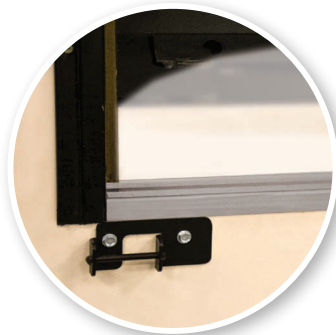


QUICK CONNECT STEP

Add sure footing into and out of your motorhome with ground-stable, removable Quick Connect RV entry steps. Even on rough terrain, adjustable feet give you bounce-free, wobble-free stability. Easily detach your step system with quick-release latches.

FEATURES

- Lightweight, removable design
- Durable construction
- Quick-release paddle latches
- Adjustable feet
- 500 lb weight capacity



MOUNTING BRACKET



QUICK RELEASE MECHANISM



SIMPLE TO ATTACH AND DETACH

QUICK CONNECT FIT CHART

	PART NUMBER	STEP HEIGHT
2 STEP	STP54-011H	21.5" – 27.5"
3 STEP	STP54-010H	27.5" – 36"
4 STEP	STP54-012H	35.0" – 44"



BEFORE YOU ORDER A STEP review the **Quick Connect Step Pre-Installation Instructions** to determine the correct Quick Connect Step for your unit.



AIRSTREAM® STEP

Give yourself sure footing into and out of your Airstream® with a StepAbove RV step system. Our innovative 2-step design fits your threshold to give you bounce-free, wobble-free stability. Adjustable feet mean rough terrain is no problem for your StepAbove. The lightweight design opens easily and stores conveniently in your door entrance.

FEATURES

- Retro 2-step design for Airstream®
- Lightweight pull-down design
- Durable construction
- Stores securely inside doorway
- Adjustable feet
- 500 lb weight capacity



STP-216



BEFORE YOU ORDER A STEP review the **Airstream® Qualification Guide** to determine if the step will work with your unit.

FLIP TREAD STEP

These sleek steps offer the same stability as our standard StepAbove. To ensure your unit stays clean, the treads of this step easily flip up to remove dust and dirt before they fold up into your doorway. Flip Tread Steps are ideal for normal entry doors as well as floor plans with interior steps that protrude into the doorway.

FEATURES

- Lightweight pull-down design
- Durable construction
- Secure storage inside door entrance
- Adjustable feet
- 500 lb weight capacity
- Collapsible treads allow for easy cleaning



STP-215

PATIO STEP

MORryde's ground stable patio steps offer added stability and safety as you enter and exit your rear or side patio.

FEATURES

- Lightweight pull-down design
- Durable construction
- Secure storage inside door entrance
- Adjustable feet
- 500 lb weight capacity



ADJUSTABLE FEET



➔ Please call MORryde to determine the best step for your unit.

STEP ACCESSORIES

HANDRAIL

Get added stability with the StepAbove handrail. Available for three and four step models.

FEATURES

- Lightweight design
- Left-side attachment
- Folds into entrance doorway
- Durable construction
- Black powder coated finish



1ST GENERATION STEPABOVE

3 Step
STP214-029H

4 Step
STP214-006H

2ND GENERATION STEPABOVE

3 Step
STP214-121H

4 Step
STP214-120H

Please Note

33" of clearance inside the doorway is needed for any handrail to be added to your RV.

If you are unsure about which StepAbove model you own please call the parts department at 574-293-1581.

STORAGE BOX

A perfect storage solution that replaces the stock steps after a StepAbove is installed.

FEATURES

- Lockable door to secure your items
- 27 3/4" wide, 10" tall and 10.5" deep, approximately 1.5 cubic feet of space
- The box is made of durable steel with a lockable aluminum door
- Durable powder coated finish
- Fits most step mounts



LOCKABLE DOOR

SP54-099

MOTION ACTIVATED STEP LIGHTS

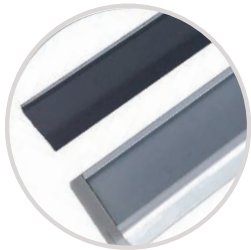
Illuminate your path with bright LEDs that attach to the bottom of the StepAbove.

FEATURES

- Sleek and low profile design
- Conveniently illuminates your steps for a safer entry and exit
- Magnetic attachment for easy removal
- Daylight sensor extends life of batteries
- LED lights offer a bright path



STP54-032



Removable Magnetic Mounting Strip

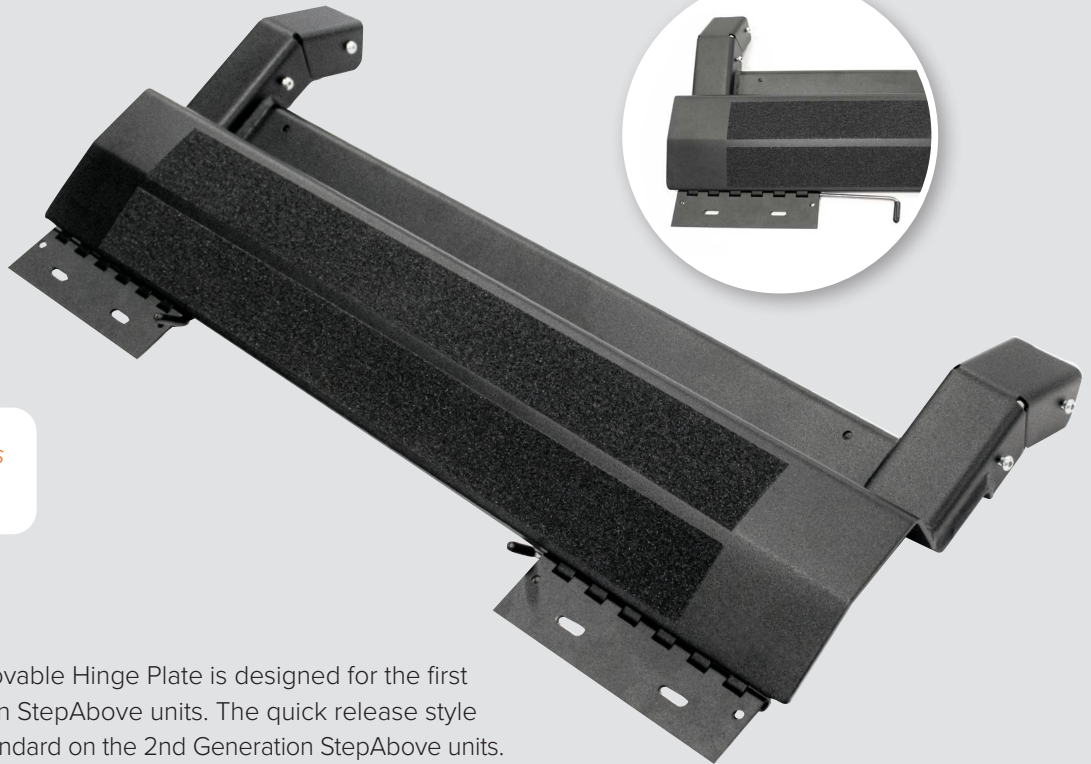


Battery Box



REMOVABLE HINGE PLATE*

Convert standard StepAbove steps to a quick-release style and easily remove them when a unit is in storage or parked in tight spaces.



26" Door
STP54-030

30" & 32" Doors
STP54-031

Please Note



* The Removable Hinge Plate is designed for the first generation StepAbove units. The quick release style comes standard on the 2nd Generation StepAbove units.



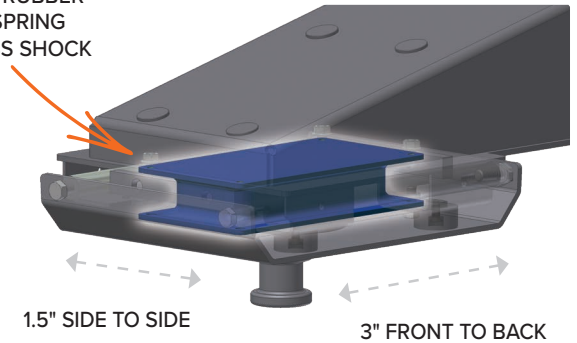
Leave rough towing behind with MORryde's revolutionary Pin Box System. Its advanced rubber shear spring works to absorb towing shock for more comfortable, stress-free travel.

FEATURES

- Jerk-free starts and stops
- 3" fore/aft travel and 1.5" side-to-side travel
- Maintenance-free
- Reduces back-and-forth chucking and jerking
- Cushioned sensation over uneven roads
- Uses 100% natural rubber shear springs

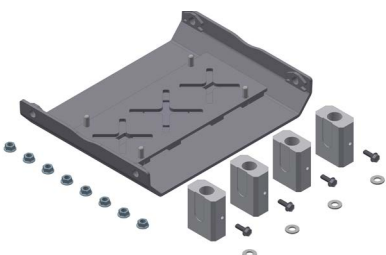


UNIQUE RUBBER SHEAR SPRING ABSORBS SHOCK



BETTER HANDLING & SMOOTHER TOWING

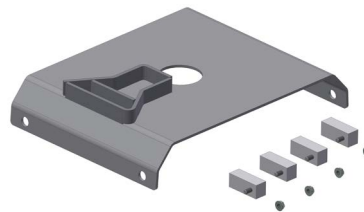
To make things even smoother for you, our RPB System is available for aftermarket installation and installs in an hour on most 5th wheels. For more details, contact our Parts Department at 574-293-1581.



Gooseneck/Andersen Hitch Reinforcement Adapter Kit*

Used with a MORryde Rubber Pin Box when connecting to a gooseneck adaptor. One size fits all MORryde Rubber Pin Box models.

RPB77-006



Pull Rite Adapter Kit

Used with the Pull Rite SuperGlide hitch.

RPB77-001

* Gooseneck sold separately. Installation of a gooseneck adaptor will void the Rubber Pin Box warranty. Rubber Pin Box Fit Chart on page 16

RUBBER PIN BOX



NEW SIZE!

The Rubber Pin Box is now available in sizes designed to directly replace the Lippert Rhino Pin Box.

LIPPERT RHINO

14,000-18,000 GVWR

18,000 + GVWR

MORryde PART #

RPB77-RHINO-05

RPB77-RHINO-06



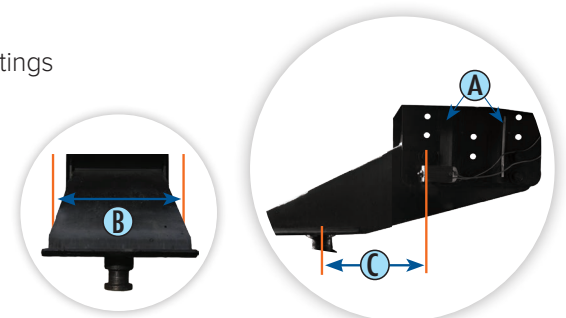
RUBBER PIN BOX FIT CHART

Cross Reference Guide		Order according to GVWR of the trailer, not the GVW of the pin box.*				MORryde Pin Box Rating
MFG	MODEL#	11,500 or less	11,501 - 14,000	14,001 - 18,000	18,001 & over	
Lippert	1621, SHD-TA	N/A	N/A	RPB72-1621SHD-TA-05	RPB72-1621SHD-TA-06	24k
Lippert	1621HD	RPB72-1621HD-03	RPB72-1621HD-04	RPB72-1621HD-05	N/A	18k
Lippert	1621SHD	N/A	N/A	RPB72-1621SHD-05	RPB72-1621SHD-06	23k
Lippert	1116	RPB72-1116-03	RPB72-1116-04	RPB72-1116-05	RPB72-1116-06	19k
Lippert	1716	RPB72-1716-03	RPB72-1716-04	RPB72-1716-05	N/A	18k
Lippert	0316	RPB72-316-03	RPB72-316-04	RPB72-316-05	N/A	CSA at 18k
Lippert	0719	RPB72-0719-03	RPB72-0719-04	RPB72-0719-05	N/A	15.5k
Lippert	Rhino	N/A	N/A	RPB77-RHINO-05	RPB77-RHINO-06	21k
Lippert	0115	RPB72-0115-03	RPB72-0115-04	RPB72-0115-05	N/A	16.4k
Leland	7900	RPB72-7900-03	RPB72-7900-04	RPB72-7900-05	N/A	15k
Leland	7920, 7921	RPB72-221002300-03	RPB72-221002300-04	RPB72-221002300-05	N/A	19k
Leland	7930	RPB72-7930-03	N/A	N/A	N/A	10k
Leland	7910	RPB72-7910-03	RPB72-7910-04	RPB72-7910-05	N/A	18k
Fabex	500	RPB72-500-03	RPB72-500-04	RPB72-500-05	N/A	15k
Fabex	503	RPB72-503-03	RPB72-503-04	RPB72-503-05	N/A	15k
Fabex	665	RPB72-665-03	RPB72-665-04	RPB72-665-05	N/A	15k
Fabex	765	RPB72-765-03	RPB72-765-04	RPB72-765-05	RPB72-765-06	21k
Fabex	770	RPB72-770-03	RPB72-770-04	RPB72-770-05	RPB72-770-06	21k
Fabex	520	RPB72-520-03	RPB72-520-04	RPB72-520-05	N/A	15k
Fabex	663	RPB72-663-03	RPB72-663-04	RPB72-663-05	N/A	15k
Fabex	730	RPB72-730-03	RPB72-730-04	RPB72-730-05	RPB72-730-06	21k
Fabex	300,314,316	RPB72-316-03	RPB72-316-04	RPB72-316-05	RPB72-316-06	CSA at 18k
Fabex	315	RPB72-315-03	RPB72-315-04	RPB72-315-05	RPB72-315-06	N/A
Fabex	330	RPB72-330-03	RPB72-330-04	N/A	N/A	13k
Fabex	560	RPB72-560-03	RPB72-560-04	RPB72-560-05	N/A	15k
Fabex	660	RPB72-660-03	RPB72-660-04	RPB72-660-05	RPB72-660-06	24k
Venture	Med	RPB72-VM-03	RPB72-VM-04	RPB72-VM-05	N/A	15k
Venture	Long	RPB72-VL-03	RPB72-VL-04	RPB72-VL-05	N/A	17k
Seitz	Long	SEITZL18K-03	SEITZL18K-04	SEITZL18K-05	N/A	18k
Youngs Welding	Long	RPB72-YWL-03	RPB72-YWL-04	RPB72-YWL-05	RPB72-YWL-06	19.5k
Youngs Welding	Medium	RPB72-YWM-03	RPB72-YWM-04	RPB72-YWM-05	RPB72-YWM-06	19.5k
Youngs Welding	45 degree	RPB72-YW45-03	RPB72-YW45-04	RPB72-YW45-05	N/A	16k
Youngs Welding	6640-1	RPB72-6640-1-03	RPB72-6640-1-04	N/A	N/A	12k
Youngs Welding	52751	RPB72-52751-03	RPB72-52751-04	RPB72-52751-05	RPB72-52751-06	N/A
Youngs Welding	Short	RPB72-YW0-03	RPB72-YW0-04	RPB72-YW0-05	RPB72-YW0-06	16.4k
RBW	7019	RPB72-7019-03	N/A	N/A	N/A	10k
RBW	7016-2P	RPB72-7016-03	RPB72-7016-04	RPB72-7016-05	N/A	15k
RBW	7027	RPB72-7027-03	RPB72-7027-04	N/A	N/A	12k
Atwood	AB-34 HD	RPB72-AB34-03	RPB72-AB34-04	RPB72-AB34-05	RPB72-AB34-06	N/A
Atwood	AB-72	RPB72-AB72-03	RPB72-AB72-04	RPB72-AB72-05	N/A	18k
Dexter	221-0023-00	RPB72-221002300-03	RPB72-221002300-04	RPB72-221002300-05	RPB72-221002300-06	19k
Dexter	221-0031	RPB72-2210031-03	RPB72-2210031-04	RPB72-2210031-05	N/A	16k
Dexter	221-0037	RPB72-2210037-03	RPB72-2210037-04	RPB72-2210037-05	RPB72-2210037-06	21k

To order a pin box system, please identify the following:

- Part Number of the stock pin box (usually found on a label on the pin box)
- GVWR* of the trailer: MORryde has a specific rubber spring for different weight ratings
- Trailer's loaded weight

OR If the stock part number is not available, determine the bolt pattern (A), width (B), and distance from center of king pin to center of first row of bolts (C), then visit MORryde.com and search for the Rubber Pin Box identification guide to convert these measurements into a MORryde part number.



* GVWR above are general guidelines and may not directly correlate to shear spring rating.

ROTATING RUBBER PIN BOX

orbital
ROTATING RUBBERIZED PIN BOX | by MORryde

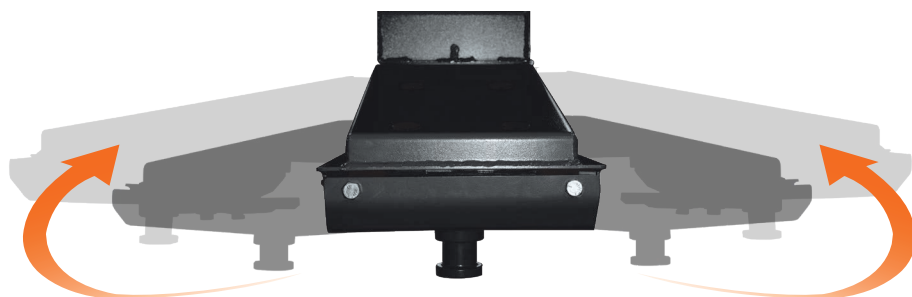
Stress-free turning and comfortable fifth-wheel towing experience

Easy turning and smoother towing come together with our Orbital Rotating Rubber Pin Box* for your fifth-wheel travel trailer. It gives you a chuck-free, jerk-free ride and a full turning radius for a comfortable in-cab experience.

FEATURES

- Advanced rubber shear spring works to absorb towing shock for more comfortable travel
- Locking wedge to prevent pivot at hitch
- Greaseable spindle for smooth rotation
- Large conical lock washers to hold wedge in place
- Integrated holes for lockout bolt storage
- Patented rubber shear spring
- Full horizontal planar motion
- Static king pin location
- 16,000 lbs maximum gross trailer weight
- Wedges available for a tighter fit on some hitches

RTPB77-1622-03



True 90° Turning without a Slider Hitch

*The Orbital Rotating Rubber Pin Box is not compatible with Curt Q-20, Dodge M-20, Gooseneck hitches and couplers like Andersen Ultimate and PullRite SuperLite.

SUSPENSION SYSTEMS

Enjoy a smooth towing experience.



SRE4000 SUSPENSION

Designed for premium performance.

FEATURES

- Provides 4" of suspension travel*
- Smoother towing than conventional leaf springs
- Protects from damaging road shock
- Easy bolt-on installation
- 3 year warranty
- Includes X-Factor crossmember to reduce frame stress
- Utilizes rubber to cushion shock

PREMIUM
Performance



	PART #	WHEEL BASE
TRIPLE TANDEM	SRE2-733X	33"
	SRE2-735X	35"
TRIPLE	SRE3-733X	33"
	SRE3-735X	35"
TRIPLE	SRE3-733X-CT	33"
	SRE3-735X-CT	35"

UP TO 7,000 GAWR

Use the **SRE4000** qualification guide to determine compatibility.



CRE3000 SUSPENSION

Designed for towing improvement over the standard stock equalizer.

FEATURES

- Provides 3" of suspension travel*
- Smoother towing than conventional leaf springs
- Protects from damaging road shock
- Unique travel slot for increased wheel travel
- Easy bolt-on installation
- 2 year warranty
- Utilizes rubber to cushion shock

BEST in
Class



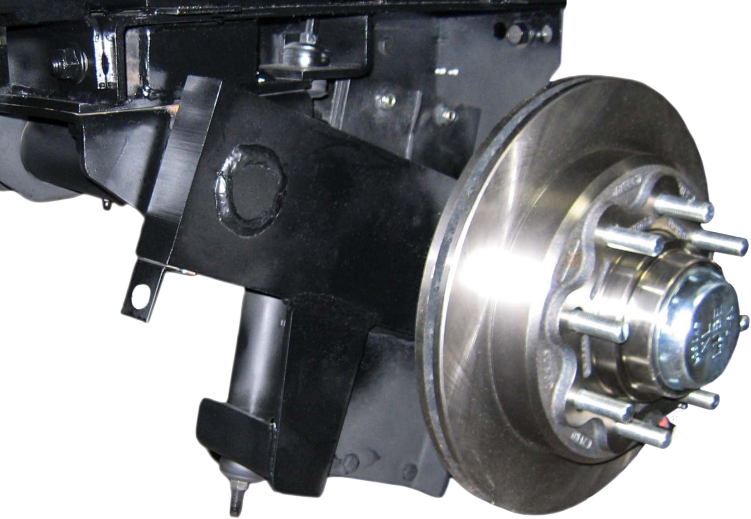
	PART #	WHEEL BASE
TRIPLE TANDEM	CRE2-33	33"
	CRE2-35	35"
TRIPLE TANDEM	CRE2-1000	42"
	CRE2-1475	42"
TRIPLE	CRE3-33	33"
	CRE3-35	35"

UP TO 8,000 GAWR

Use the **CRE3000** qualification guide to determine compatibility.



Unique Travel Slot



INDEPENDENT SUSPENSION

The luxury suspension system.

FEATURES

- Provides 5.5" of suspension travel
- Superior towing smoothness
- Improved towability & handling
- Best protection of trailer, components, & contents from damaging road shock
- Beam assembly allows maximum wheel travel, which significantly smooths the trailer's passage over a rough road surface.
- 5 year warranty



* The disc brakes shown in the photo are sold separately.



Join the I.S. Owners' Club!

Ask the service department for details.

X-FACTOR CROSSMEMBER

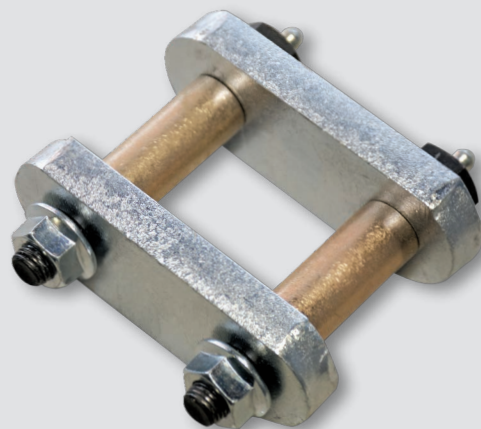
FEATURES

- Designed to greatly reduce frame stress
- Provides added lateral strength
- Uses high-strength low-alloy steel
- Adjustable to fit different frame widths
- Easy installation
- No welding necessary



Part Number	Description
RE21-004	Crossmember for MORryde LRE, RE & TRE suspensions
UO21-003	Crossmembers for standard frame hangers
UO21-006	Drop-down crossmember for standard frame hangers
UO21-015	Crossmembers for OEM correct track frame hangers

* Only one crossmember per kit. Additional crossmembers are available for purchase.



HEAVY-DUTY SHACKLE

The Heavy-Duty Shackle Kit is an excellent upgrade for your running gear.

FEATURES

- Thicker shackles for added strength
- Bronze bushings for more durability
- Greasable bolts for improved maintenance
- Complete peace of mind
- Lock nuts to ensure security

Order kit according to your current suspension system:

Part Number
Standard
Frame Hanger

Part Number
OEM Correct
Track Hanger

MORryde LRE	tandem	LRE12-001	LRE12-016
	triple	LRE12-004	LRE12-017
MORryde SRE4000, CRE3000 and Stock with 2-1/4" shackles	tandem	UO12-016	UO12-029
	triple	UO12-023	UO12-030
Stock with 3-1/8" shackles	tandem	UO12-021	UO12-031
	triple	UO12-024	UO12-032

Our steel TV Mounts are well-known for rugged quality and sleek functionality. Perfect for recreational vehicles, hospitality suites, and home patios.

TV MOUNTS

BASE MOUNTS

Slide Out

Designed to swivel and slide out, this bracket is perfect for installation in a cabinet or corner.



- Slides out 7"
- Swivels
- Tilts 0 -10.5°
- Adjust for TV height
- Up to 200 x 200 VESA



DIMENSIONS:
6"w x 17"h (tall) or
12.5"h (short) x 15.8"d

TV40-001H
Tall — up to 55" TV
TV40-001H-S
Short — up to 32" TV

Base or Ceiling

This mount is excellent for under-cabinet installation or reinforced ceilings. It can also be mounted to a counter or desk for a great monitor mount.



- Swivel and tilt
- Up to 28" TV
- Up to 100 x 100 VESA
- Requires reinforced structure when used as a ceiling mount



DIMENSIONS:
6.5"w x 11.5"h or 4.5"d

TV1-012H

Rigid Adjustable

This low profile TV mount with adjustable mounting height is perfect for your new flat screen. Easy to install and the hardware is included.



- Adjust for TV height
- Up to 200 x 200 VESA
- Up to 40" TV
- Base plate faces toward the front



DIMENSIONS:
8.9"w x 12.4"h (min) or
17.6h (max) x 6"d

TV1-003H

Rigid

This low-profile wall mount is ideal for your flat-screen TV or monitor in your RV. It comes fully assembled for easy installation.



- Low profile design saves space
- Up to 200 x 200 VESA
- Mounts on any vertical surface
- Easy install



DIMENSIONS:
8.85"w x 11"h x 1.14"d

TV1-002H

Follow these steps to find out which TV Mount is best for your application.

STEP 1

VESA HOLE PATTERN OF TV OR MONITOR?

VESA patterns available with MORryde TV mounts:
 75 x 75 • 100 x 100
 200 x 200 • 300 x 300
 400 x 400

STEP 2

WEIGHT OF THE TV OR MONITOR?

MORryde mounts are available in these weight capacities:



STEP 3

TV INSTALLATION LOCATION

Range of motion desired:

- SWIVEL left to right
- SLIDING in & out
- TILT up & down
- FLIP up or down

WALL MOUNTS

Pull Out

The unique double arm swiveling function allows for the TV's angle to be changed from side to side. It simply pushes back into place and is held down with magnets to keep your TV secure.



- Low profile when closed
- Pulls straight out
- Great for exterior entertainment centers
- Swivels for a variety of viewing positions
- Locks in place for safe travel
- Up to 400x400 VESA



DIMENSIONS:

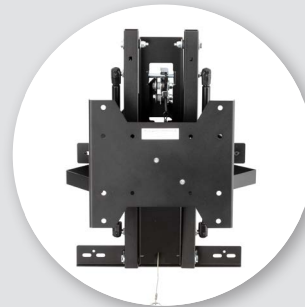
22.6"w x 17"h x 2.7"d (closed)
 or 20"d (extended)

TV1-084H

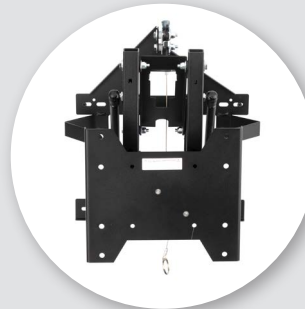


Drop Down

The Drop Down Wall Mount moves out from the wall and drops down for a better viewing angle. The ability to drop your TV mount down allows you to reduce the glare that is all too common.



- Low profile when closed
- Pulls straight out
- Swivels for a variety of viewing positions
- Locks in place for safe travel
- 100x100 and 200x200 VESA



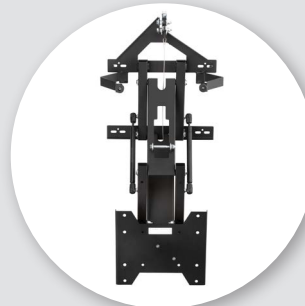
WEIGHT CAPACITY:

12lbs (min) - 20lbs (max)

DIMENSIONS:

13.3"w x 17.6"h x 5.2"d
 up position

13.3"w x 29"h x 8.5"d
 down position



TV56-129H



WALL MOUNTS



Swinging

This unique design offers a full range of viewing options. Double joint arm extends 18" and swings up to 180°. Locks in for safe travel.



- Tilt & Swivel Adjustment
- Tilts 0-10.5°
- TV Swivels up to 350°
- Up to 200 x 200 VESA

35lb TV1-021H

DIMENSIONS:

11.25"w x 11"h x 3.28"d (closed)
or 18"d (open)

50lb TV1-006H



- Up to 100 x 100 VESA

TV1-025H

25lb

DIMENSIONS:

10.5"w x 8.9"h x 3.45"d (closed)
or 18"d (open)



- Extends 7" farther than our other Swinging Wall Mounts
- Strap release
- 180° of swing
- Swivel and tilt
- Locks in for safe travel
- Up to 200 x 200 VESA

25lb

DIMENSIONS:

14.8"w x 10.5"h x 3.3"d (closed)
or 25"d (open)

TV1-087H

Snap-In

These unique TV mounts allow for easy removal and reattachment of a flat screen TV without the hassle of unscrewing the TV from the mount.



Extend & Swivel

- Up to 200 x 200 VESA

35lb

TV10-E-35H

DIMENSIONS:

10.5"w x 8.9"h x 5.3"d (min) / 15.3"d (max)



Rigid

- Up to 200 x 200 VESA

35lb

TV10-F-35H

DIMENSIONS:

9.8"w x 8.8"h x 2"d



Small Rigid

- Up to 100 x 100 VESA

25lb

TV1-051H

DIMENSIONS:

5.8"w x 5"h x 1.75"d



Large Rigid

- Up to 400 x 400 VESA

35lb

TV1-048H

DIMENSIONS:

18.5"w x 16.5"h x 1.1"d



Swivel

- 200 x 200 VESA

35lb

TV10-S-35H

DIMENSIONS:

9.8"w x 8.5"h x 3.8"d

Swivel or Rigid

This mount is excellent for under the cabinet installation or reinforced ceilings. It can also be mounted to a counter or desk for a great monitor mount.



- Low profile
- Up to 200 x 200 VESA
- Single stud install
- Swivels up to $\pm 15^\circ$



TV1-001H — Swivel
TV1-002H — Rigid

DIMENSIONS:

8.75" w x 11.3" h x 4" d (swivel)
or 1.1" d (rigid)

Portable TV Mounts

Place multiple docking plates anywhere for entertainment where you want it. Up to 100 x 100 VESA and single stud installation. Each Portable TV Mount comes with two docking plates.



Swivel & Tilt

25lb

TV5-002H

DIMENSIONS:

5" w x 5.25" h x 2.5" d



Extension w/Swivel & Tilt

25lb

TV5-003H

DIMENSIONS:

5" w x 6.75" h x 9" d



Low Profile Rigid

25lb

TV5-004H

DIMENSIONS:

4.75" w x 4.25" h x 0.75" d



Rigid & Swivel Extension

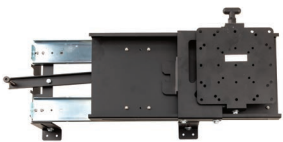
25lb

TV5-005H

DIMENSIONS:

4.75" w x 6.5" h x 10.5" d

HORIZONTAL SLIDING MOUNTS



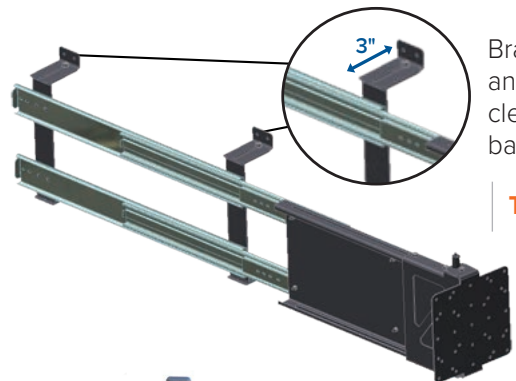
- 200 x 200 VESA
- Extends 22"
- Pivots 120°
- Space-saving



TV40-002H

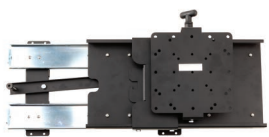
DIMENSIONS:

24.25" w x 13" h x 6.5" d



Brackets extend an extra 3" to clear the cargo bay lip

TV40-002H



- 200 x 200 VESA
- Extends 20.5"
- Pivots 180°
- Space saving



TV40-011H

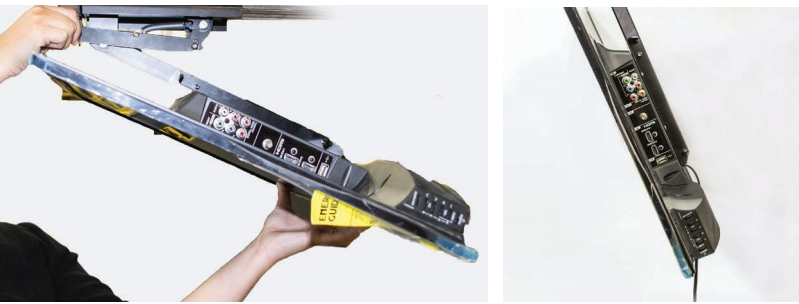
DIMENSIONS:

20.75" w x 11.5" h x 4.6" d



Horizontal Mounts
- Retracted

CEILING MOUNTS



Drop Down

The Drop Down Ceiling Mount saves space and allows you to keep your TV out of the way until it is needed. The friction pivot lowers the TV slowly and allows you to position it at many viewing angles. This mount is perfect for storing your TV in tight spaces.



- Swings down from ceiling
- Friction pivot allows for a variety of viewing angles
- Up to 24" TV
- VESA: 75 x 75, 100 x 100, 100 x 200, 200 x 200

25lb

DIMENSIONS:
8.6" w x 14.77" h x 5.58" d
(in down position)

TV1-080H

Slide-Out & Flip Down

The TV40-010H mounts to a horizontal surface or ceiling, most commonly inside a basement cargo bay. It can then slide out of the compartment, flip down, and swivel.



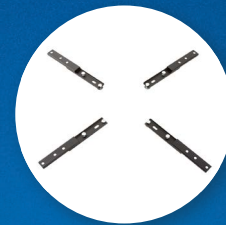
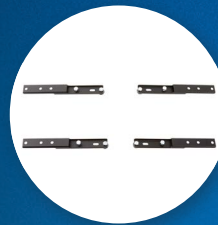
- Ideal for baggage compartments
- Slides out 17"
- Swivel & Tilt
- 200 x 200 VESA

35lb

DIMENSIONS:
8" W x 7.5" H x 21" D (min)
38" D (max)

TV40-010H

ADAPTER PLATES



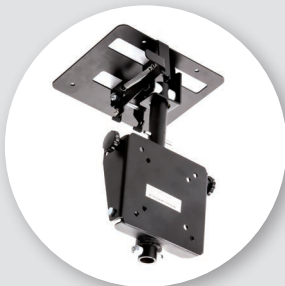
VESA
200 x 400
300 x 300
400 x 400

Two Configurations Available

TV54-014H

Flip Down

This mount is excellent for under-cabinet installation or reinforced ceilings. Flip down while viewing and flip up to store it out of the way.



- Swings up & out of the way
- Locks in for safe travel
- Swivel & tilt
- Up to 24" TV
- 100 x 100 VESA

25lb

DIMENSIONS:
6.5" W x 12.8" H x 8" D
(in down position)

TV56-010H



VESA
100 x 200
200 x 200

TV54-009H



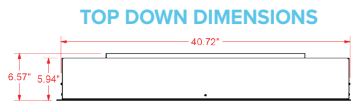
VESA
300 x 300
300 x 400
400 x 400

TV1-008H

SPECIALTY MOUNTS



TV and speakers not included

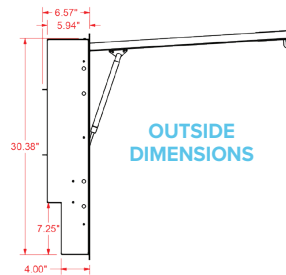


Exterior Entertainment Center

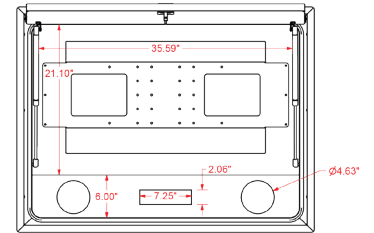
Who says entertainment was only meant for indoors? Take relaxation to the next level with MORryde's Exterior Entertainment Center. Enjoy the sights and sounds of your favorite movie all while in the great outdoors.

- Fully assembled
- Includes high-quality aluminum door & frame
- Slim profile
- VESA: 100x100, 100x200, 200x200, 200x400

EC56-032BLK



INSIDE DIMENSIONS



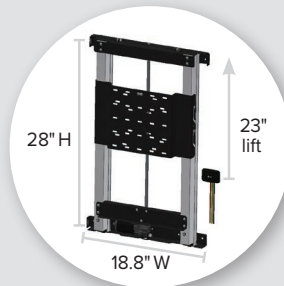
Motorized Vertical Mount

This sleek design allows for installation behind a fireplace, book shelf, couch, or any other furniture. No bulky TV table.

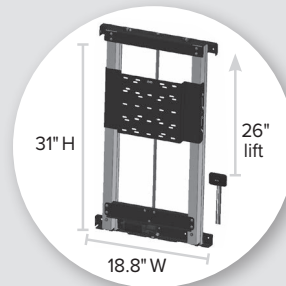
- Hides behind any furniture
- Self-contained motor
- Requires 12 Volt Power
- Up to 200 x 200 VESA



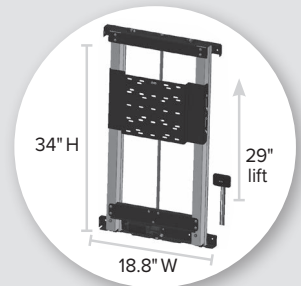
(TV not included)



TV25-2823H



TV25-3126H



TV25-3429H

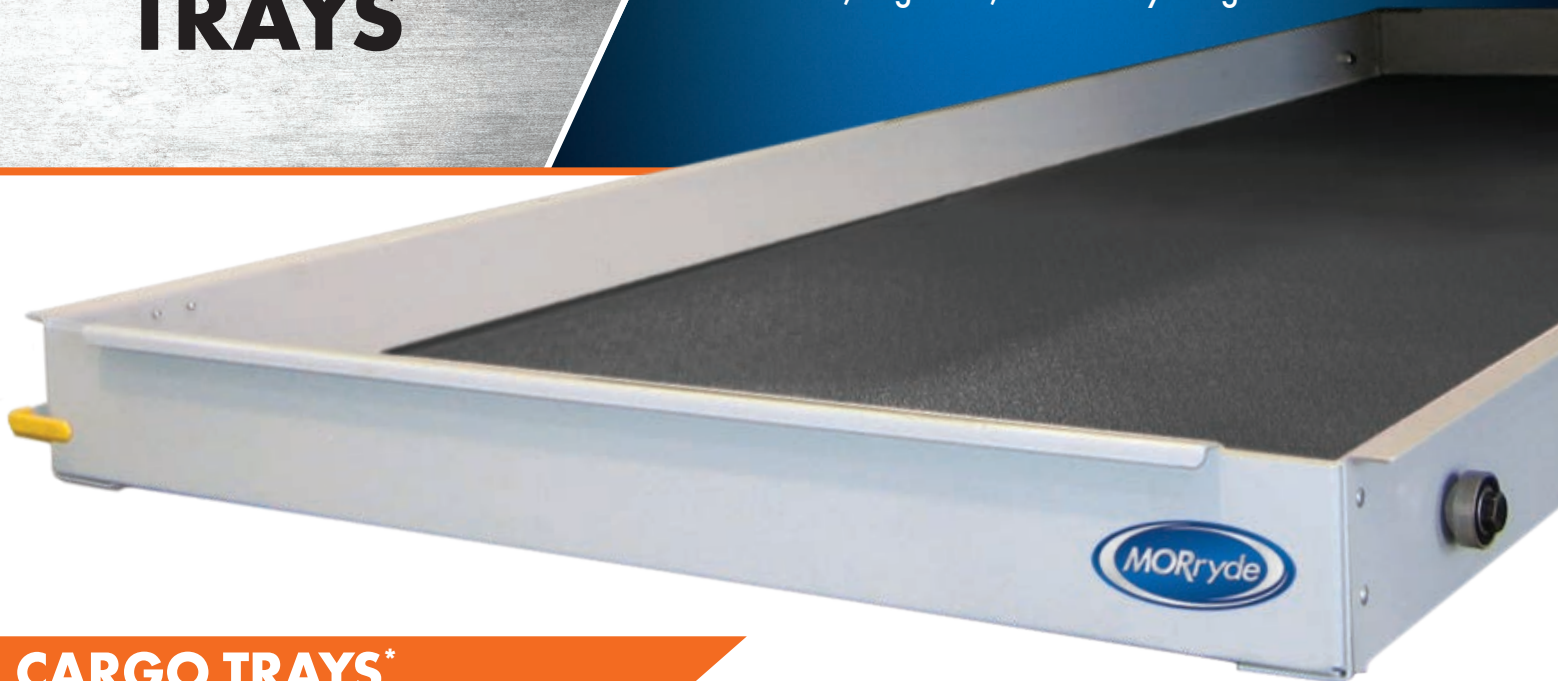


DIMENSIONS:
18.8"W x 3.75"D
(Height and lift height vary)

Remote Available
U0137-022
(sold separately, lift includes momentary switch)

SLIDING TRAYS

Variety of storage solutions makes it easier to reach, organize, and stow your gear



CARGO TRAYS*

- Fully assembled
- Carpeted flooring
- Ball-bearing slide
- No measuring or cutting
- 800 lb weight capacity
- Extends 60%
- 90" trays slide out from both sides
- Easy to install



	36" L	48" L	60" L	72" L	90" L
20" W	CTG60-2036W	CTG60-2048W	CTG60-2060W	CTG60-2072W	CTG60-2090W
26" W	CTG60-2636W	CTG60-2648W	CTG60-2660W	CTG60-2672W	CTG60-2690W
29" W	CTG60-2936W	CTG60-2948W	CTG60-2960W	CTG60-2972W	CTG60-2990W
33" W	CTG60-3336W	CTG60-3348W	CTG60-3360W	CTG60-3372W	CTG60-3390W
36" W	CTG60-3636W	CTG60-3648W	CTG60-3660W	CTG60-3672W	CTG60-3690W
39" W	CTG60-3936W	CTG60-3948W	CTG60-3960W	CTG60-3972W	CTG60-3990W
42" W	CTG60-4236W	CTG60-4248W	CTG60-4260W	CTG60-4272W	CTG60-4290W
48" W	CTG60-4836W	CTG60-4848W	CTG60-4860W	CTG60-4872W	CTG60-4890W
52" W	CTG60-5236W	CTG60-5248W	CTG60-5260W	CTG60-5272W	CTG60-5290W

SIZE	PART#	WEIGHT CAP.
20"W X 72"L	CTG80-2072-2DW	500lb
26"W X 72"L	CTG80-2672-2DW	500lb
29"W X 72"L	CTG80-2972-2DW	500lb
33"W X 72"L	CTG80-3372-2DW	500lb
36"W X 72"L	CTG80-3672-2DW	500lb
39"W X 72"L	CTG80-3972-2DW	500lb
42"W X 72"L	CTG80-4272-2DW	500lb
48"W X 72"L	CTG80-4872-2DW	500lb
52"W X 72"L	CTG80-5272-2DW	500lb

72" CARGO SLIDES

with **80% EXTENSION**

Trays slide out from both sides of unit.



HIDDEN STORAGE TRAY

- Installs in top storage compartment recess
- 70% extension
- 25 lb weight capacity
- Stays hidden when tray is closed
- Glides down and out
- Slides easily back into place

DIMENSIONS:

26.3"w x 16.1"l x 2.7"h x 4.6"d

SP56-203H



Adjustable brackets allow hidden tray to fit in the under floor framing with spacing between 20"L (min) - 26"L (max)

UTILITY TRAYS



- Conveniently stores common RV generators
- Durable powder coat
- 100% extension
- Roller bearing slides
- No assembly required



DIMENSIONS: (w x d x h) WEIGHT CAPACITY

SP60-041	14" x 14" x 2.75" (inside) 16.25" x 15.75" x 5" (outside)	250 lb
SP60-042	14" x 21" x 2.75" (inside) 16.25" x 22.75" x 5" (outside)	250 lb
SP60-043	21" x 14" x 2.75" (inside) 23.25" x 15.75" x 5" (outside)	250 lb
SP60-044	24" x 24" x 2.75" (inside) 26.25" x 25.75" x 5" (outside)	300 lb
SP60-028	20.75" x 11" x 2.5" (inside) 23.5" x 12.5" x 4.5" (outside)	250 lb
SP60-047	20.25" x 17.5" x 2.75" (inside) 22.75" x 19.25" x 3.25" (outside)	250 lb
SP60-081	21" x 13.75" x 2.75" (inside) 23" x 15.5" x 5" (outside)	150 lb

FREEZER TRAYS



These 200% extension slides are great for your freezer, refrigerator, or any cargo that you would like to access past the unit's slide-out.

- 225 lb weight capacity
- Ready to install in minutes
- Durable powder coat

DIMENSIONS: (w x d x h)

SP56-115 37.6" x 21.6" x 5" (outside)
Front Pull 31.42" x 19.7" x 2.5" (inside)

SP56-132 18" x 26.5" x 6" (outside)
Side Pull 14" x 24.8" x 2.5" (inside)

SP56-388 41.57" x 22.66" x 5" (outside)
Front Pull 37.62" x 21.17" x 2.5" (inside)



EASY REEL™ SPOOLERS

The Easy Reel™ delivers the simplest, smoothest, and most convenient way to effectively store your power cord.

FEATURES

- Store up to 50' of 30- or 50-amp cord
- Crank handle easily spools cord
- Left- or right-hand operation
- Rugged steel construction
- Space-saving design
- Designed for detachable power cords



Tall

Stores up to 50 AMP cord

DIMENSIONS:

7.6" w x 17.6" h x 21" d

REEL56-001H

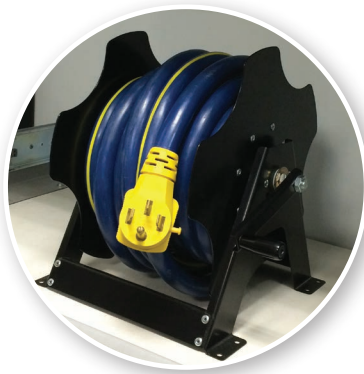
Economy

Stores up to 30 AMP cord

DIMENSIONS:

14.3" w x 13.4" h x 12.8" d

REEL56-009H



Motorized

FEATURES

- Motorized operation
- Store up to 30' of 50-amp cord
- Rugged steel construction
- Ceiling mount option to maximize storage
- Convenient in-line fuse
- Space-saving design for efficient cord storage
- Designed for detachable power cords

REEL56-014H

DIMENSIONS:

14.3" w x 13.4" h x 12.8" d

POWER CORD REELS

A simple way to store your power cord.

Conveniently holds dinette chairs
in place without straps

THE CHAIR BUDDY™

Conveniently secure the dinette chairs in your RV with the Chair Buddy. No need for bulky, awkward straps. The Chair Buddy holds everything in place during travel and folds out of the way when you don't need it. Look for the "T" in the handle to ensure it is a genuine MORryde Chair Buddy.

FEATURES

- Secures dinette chairs
- Clean, sturdy design
- Installs in minutes
- Easily folds out of the way

LOOK FOR THE "T"



Don't have a vertical column to attach your Chair Buddy?

No problem! Our Chair Buddy adapter allows you to attach your Chair Buddy to the underside of your tabletop.



Chair Buddy
CB56-001H

Chair Buddy Adapter
CB56-002H

patioex

by MORryde

More room. More comfort. More adventure.

Revolutionary Airbeam® tent design by Vango, the European leaders in Air Tent technology.



Extended Living Space for Your Outdoor Adventures

FEATURES

- Protection from wind, rain, sun and bugs
- Quick, easy set up - no drilling required
- Fits most 5th wheel toy haulers
- Zippered privacy panels
- Easily stores in a convenient and lightweight storage bag
- Tested in winds up to 60 mph

PatioEx THP-EX2 | Electric Pump THP-AC1



Purchase an electric pump for easy inflation.



X-BRACE

X marks the spot when it comes to the simplest, most effective stabilizer on the market. MORryde's X-Brace stabilizers are a collaboration between MORryde and Winfield Products that install easily and provide enhanced lateral support. This means your trailer is stable, solid, and secure. Whether someone is walking inside the unit or you are experiencing strong winds, your trailer is rock solid because of the X-Brace design.

5TH WHEEL STABILIZER

- > Uses X-Brace design to provide exceptional stability
- > Installs in minutes unlike other products on the market
- > Unique turnbuckle design allows for easy adjustments
- > Helps distribute weight for a stable camping experience

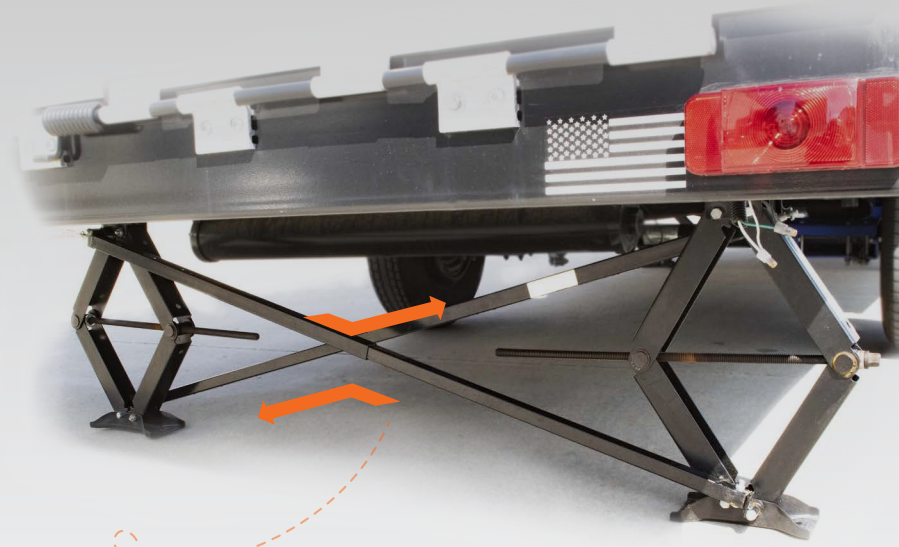
SP54-180



SCISSOR JACK STABILIZER

- > Provides exceptional stability
- > Stabilizer jacks lift vertically, with very little lateral stability
- > Installs onto existing stabilizer jacks & locks in stability
- > Uses a tensioning tool to tighten and adjust the X-Brace
- > Perfect for front & rear travel trailers with scissor jacks
- > Works on the rear 5th wheel scissor jacks

SP54-181



HITCH MOUNT STABILIZER

- > For 5th wheels, Class C, Class A motorhomes and truck campers – just needs a hitch receiver
- > Provides stability from excessive or unwanted movement
- > Unique design provides for simple installation

SP54-182



STABILIZERS

ABOVE. BEYOND. ALWAYS.

**At MORryde, we have a passion
for building quality products.**

Today's RVers are wanting quality products that will help them enjoy their RV and the RV lifestyle even further. MORryde is committed to designing and producing quality products that meet and exceed their expectations. And it doesn't stop at the sale. We stand behind our products, believing in quality first, service always. No matter the issue, we'll be committed to doing MORE for our customers.



Above. Beyond. Always.

1966 Sterling Avenue • Elkhart, IN 46516
574-293-1581 • sales@MORryde.com
www.MORryde.com



We reserve the right to make changes or additions to the information and data provided, such as technical specifications, product numbers, price, design of products, without prior notice. 2/2021