

- jbeletti

4 Attachment(s)

Details/Dimensions of Dometic 15M BTU AC with Heat Pump

Looking forward to seeing Tim's diverter modification.

Until then, I took the entire plastic cover off the inside of my AC and took some pictures.

For those contemplating a mod to theirs or just curious, here's what I found:

Removing Cover:

- Remove air filter
- Remove 4 screws behind air filter
- Pry out plastic plugs and remove 2 more screws (see image 1)

Orientation:

There are two distinct sections inside my AC. The section towards the front of the trailer is the air intake section

The section towards the rear of the trailer is the air output section

The output section has an access hole that is 9-3/4" x 3-3/4" In the top center of the output section is a 4" x 4" hole with a squirrel cage type fan in it. Output air blows down out of this 4" x 4" opening and into the output section (plenum area?).

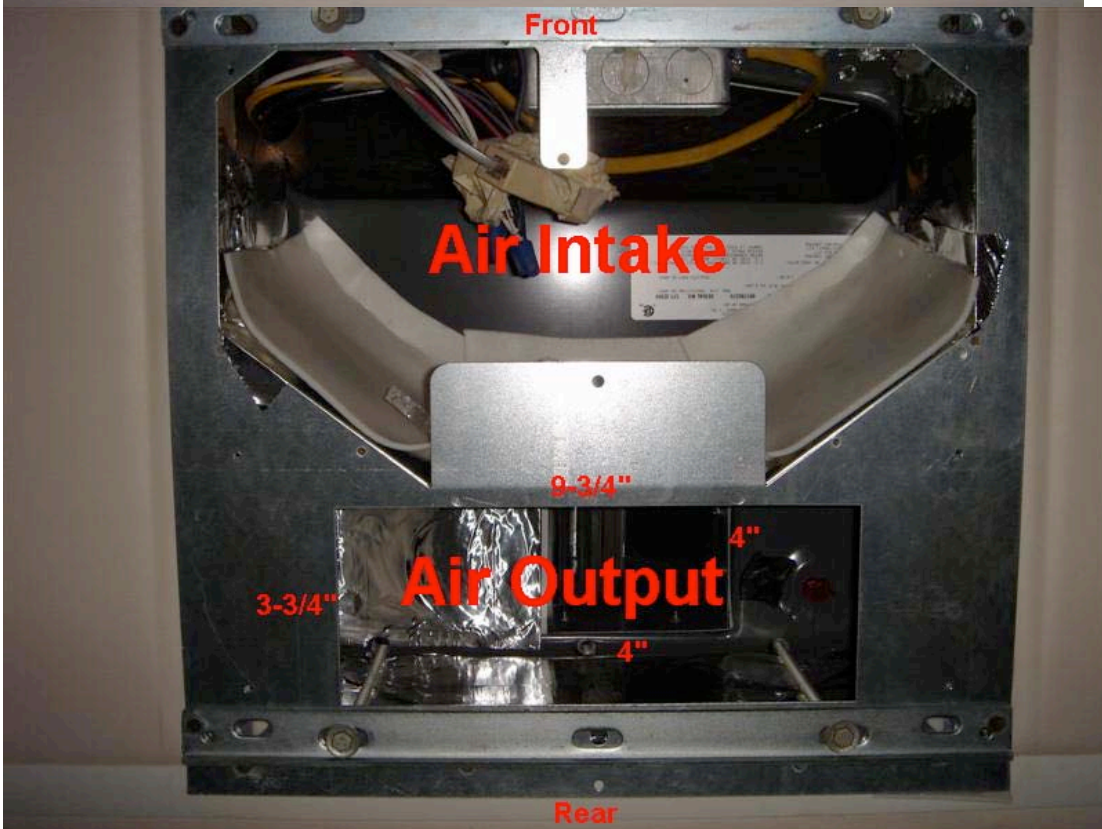
On either side (Left/Right or Door Side and Off Door Side) of the output section is a rectangular hole that leads into the ducts that run down each side of the trailer within the roof trusses. I measures this duct opening at about 1-3/4" tall x 7" wide. As you can see from 2 of the images, the ducts have the foil tape at the seams where it joins the plenum. After taking the photos, using my hand, I pressed on the foil around the perimeter of the duct to smooth it out.

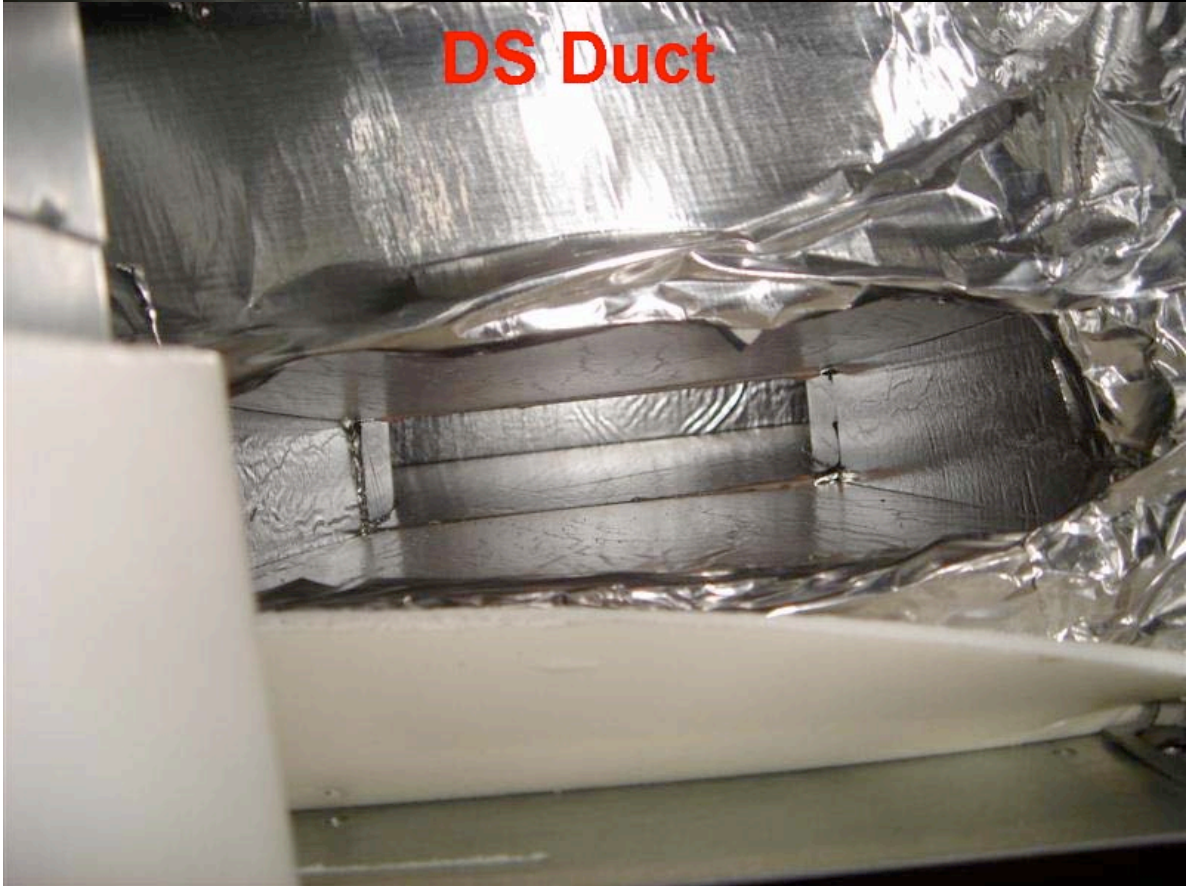
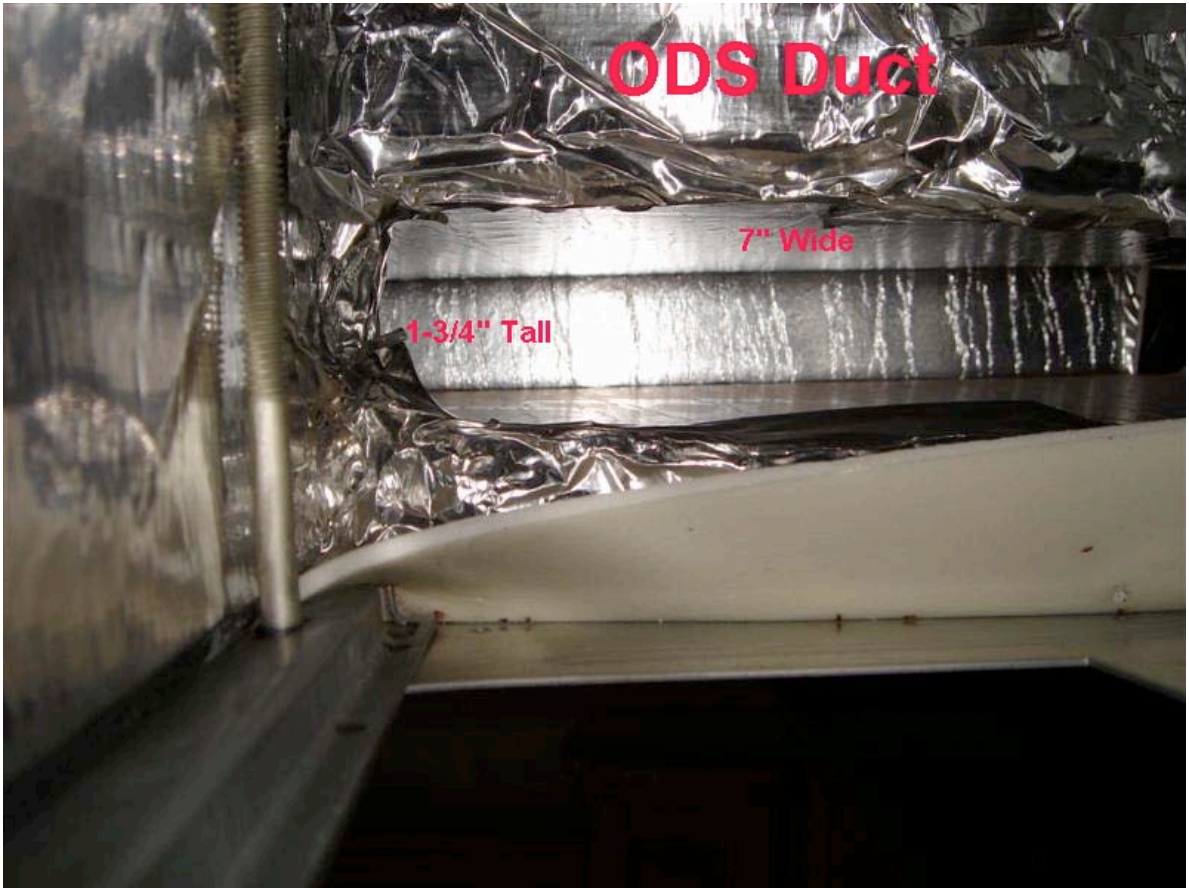
The vertical dimension from the bottom of the 4" x 4" output opening to the 9-3/4" x 3-3/4" opening is 5".

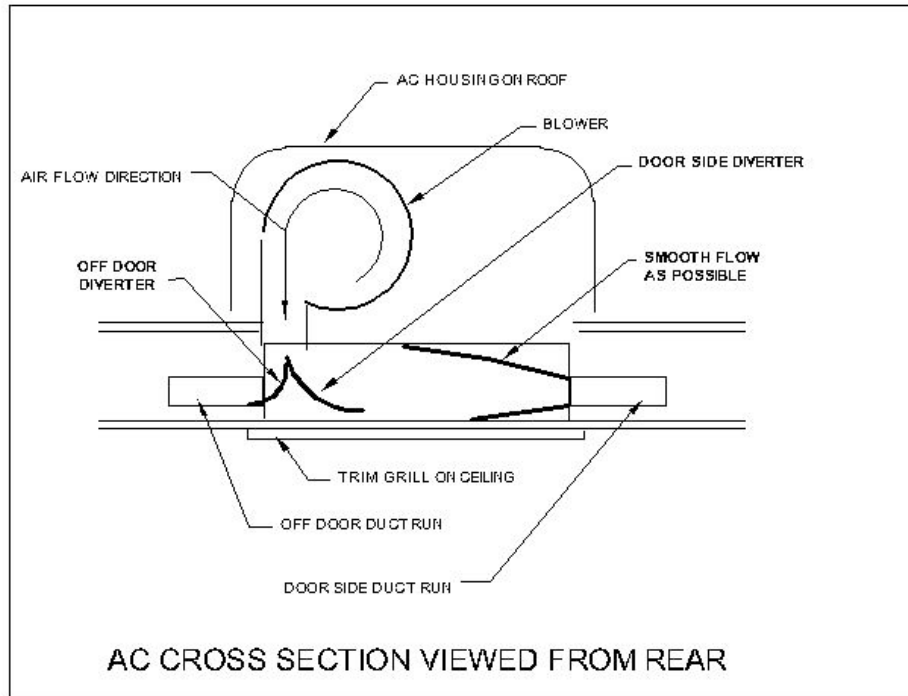
Thanks to timk, I am thinking hard about making some sort of radiused diverter out of sheet metal (galv. steel, aluminum etc.). I was thinking of making a dual sided diverter that looks like a step mountain peak.

Thinking.....Jim

Cover has 6 screws - 4 are under removable air filter







Hi all,

Last Thursday night, I did timk's tent mod in my main AC plenum. Took me about 2 hours. I will add more pics later.

I would "estimate" that I increased the airflow from the AC vents by nearly double.

I started out with a 4" x 24" round galvanized furnace pipe. I flattened it out, then cut out an initial piece 19" long x 5" wide. I then trimmed that to 3-3/4" wide. Then I made all my bends to trial fit it. It was too short. I added on a bit more length (using foil tape for the addition), fitted it and used a few screws to hold it in.

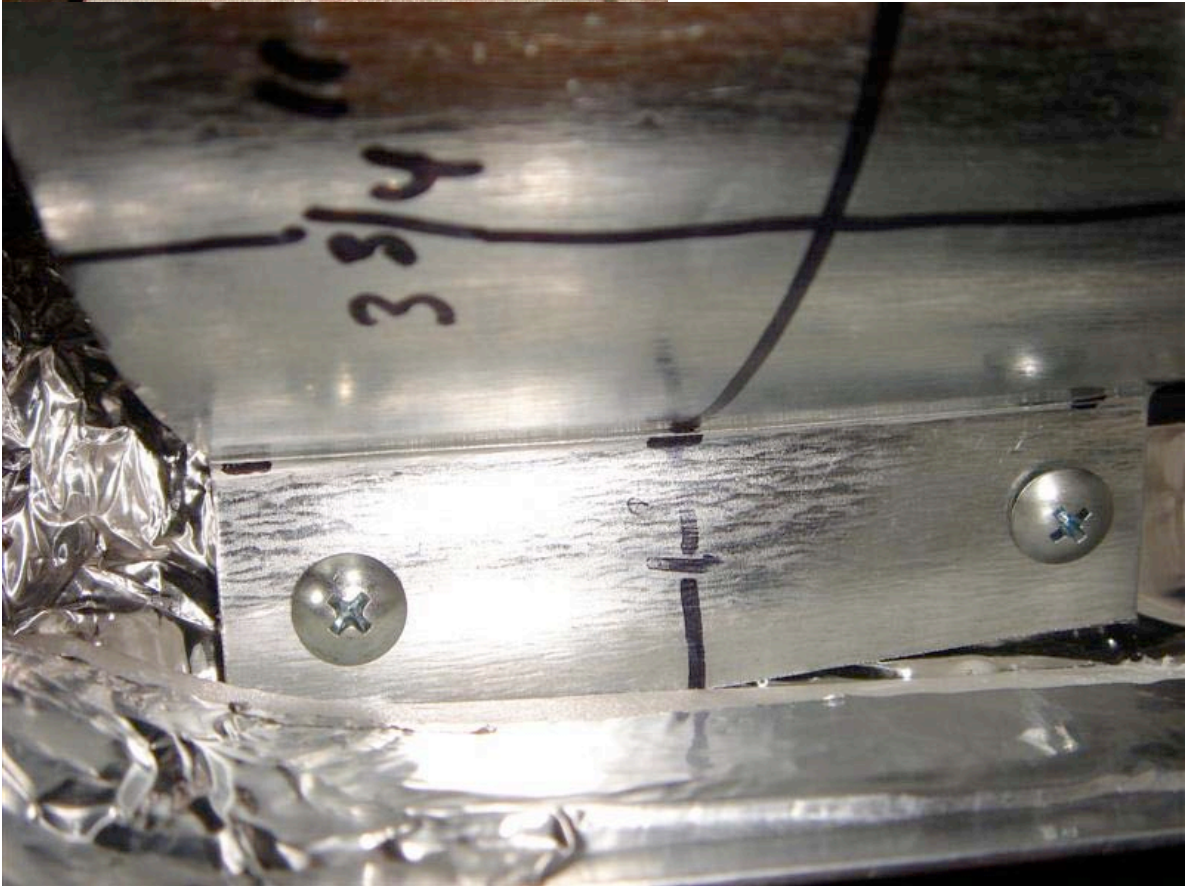
The way I made mine, I have eliminated the effectiveness of the chill grate as my mod is the full width of the opening so little air makes it to the chill grate when opened.

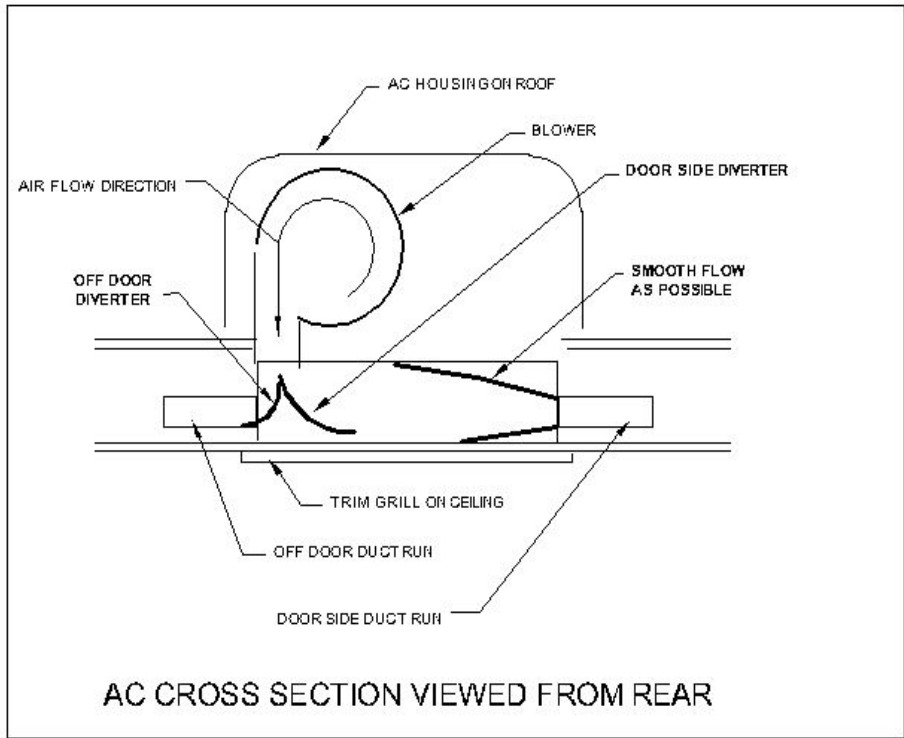
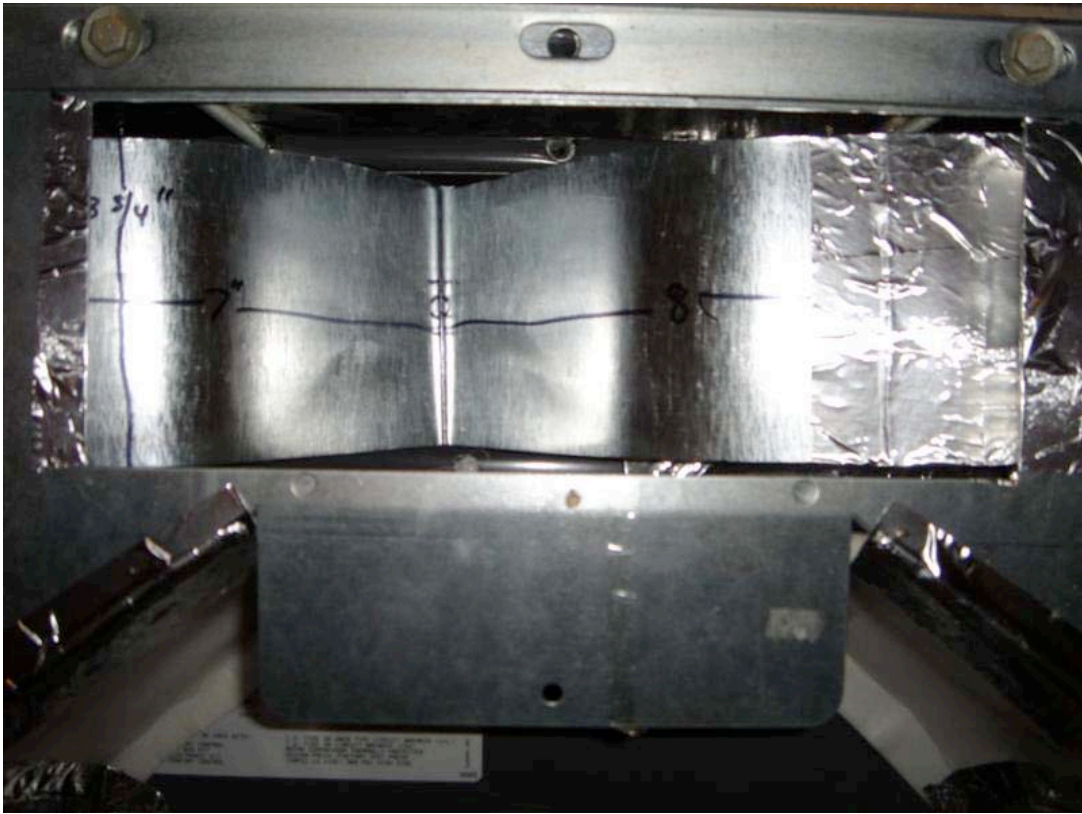
Thanks timk!

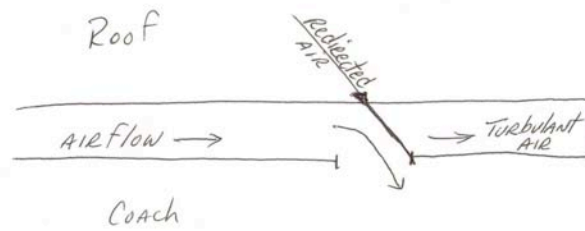
Jim











Ray's duct deflector idea.

There was a comment about ducts needing extension beyond the last register for the system to function properly. If so, then how come there are no extensions beyond any of the ducts in a house?

Jpajax's photos of the baffle



