

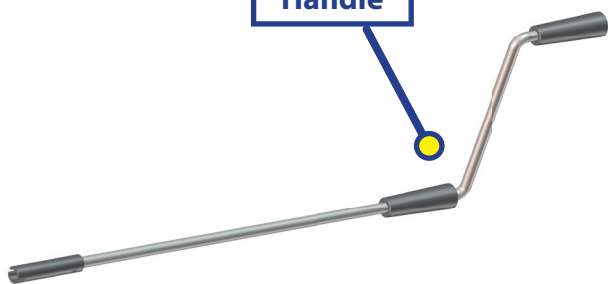


LIPPERT  
COMPONENTS

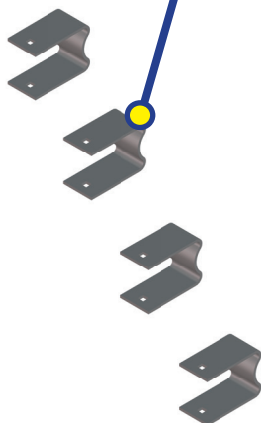
# ELECTRIC LANDING GEAR ASSEMBLY

## LEVELING & STABILIZATION

LG Crank Handle



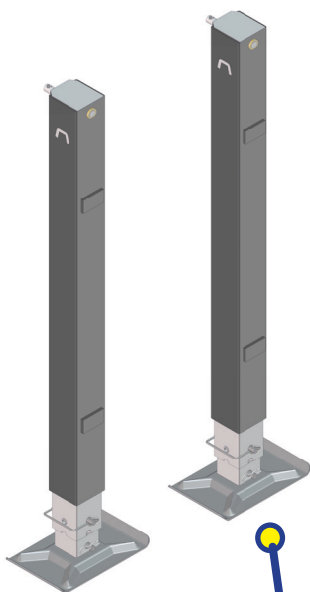
Mounting Brackets



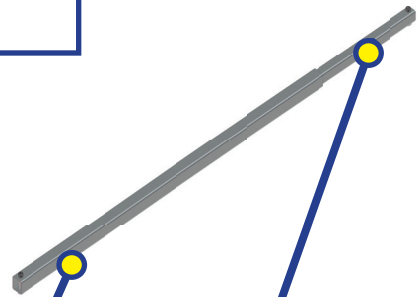
Fasteners



Gear Box Stop

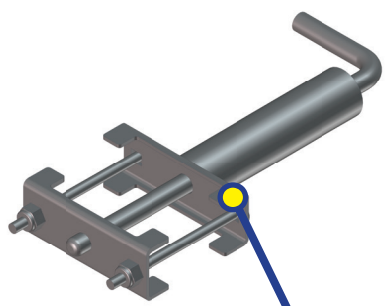


Landing Gear Legs



Cross Shaft Inner

Cross Shaft Outer



Bolt On Pull Pin