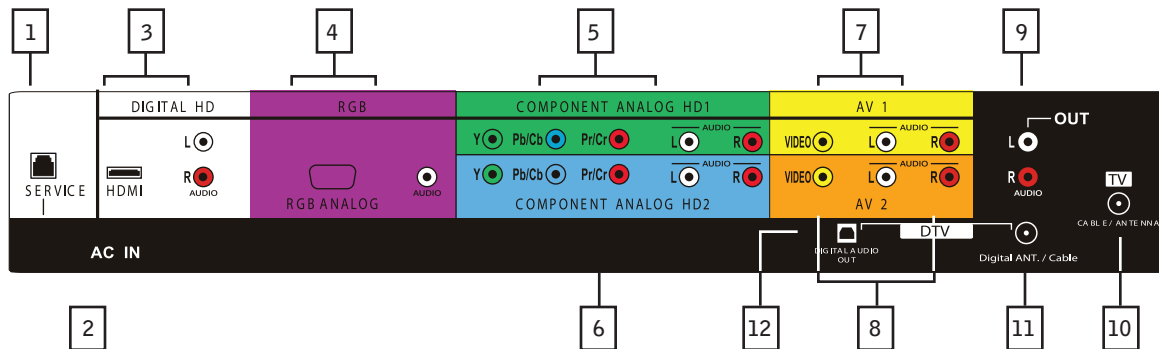


1.3 - Rear Panel Connections



1. **Service** – This custom communication port is for factory service only.
2. **AC IN** – Plug-in the supplied AC Power Cord here.
3. **DIGITAL HD (HDMI)** - Connect a DVD multimedia player, or set-top box and the audio through this connection. The white color band on the back of the display indicates this connection. For users who want to connect a DVI enabled device, use an HDMI-DVI cable (available for purchase from www.vizioce.com or by calling 1-888-VIZIOCE [1-888-849-4623]) and use the Analog Audio output of the device connected to the L+R Audio here.
4. **RGB (Analog RGB/Audio In)** - Connect the video and the audio from a computer or set-top box here. The purple color band on the back of the display indicates this connection.
5. **COMPONENT ANALOG HD1 (Component Y-Pb/Cb-Pr/Cr with Audio L/R)** - Connect the primary source for component video, such as a DVD player or set-top box here. From left to right, use the green for Y, blue for Pb/Cb, red for Pr/Cr, white for left audio and red for right audio inputs. The green color band on the back of the display indicates this connection.
6. **COMPONENT ANALOG HD2 (Component Y-Pb/Cb-Pr/Cr with Audio L/R)** - Connect the secondary source for component video, such as a DVD player or set-top box here. From left to right, use the green for Y, blue for Pb/Cb, red for Pr/Cr, white for left audio and red for right audio inputs. The blue color band on the back of the display indicates this connection.
7. **AV1 In** – Connect the primary source for composite devices, such as a VCR or video game. Use the white and red connectors to connect the external audio from the same source. The yellow color band on the back of the display indicates this connection.
8. **AV2 In** – Connect the secondary source for composite devices, such as a VCR or video game. Use the white and red connectors to connect the external audio from the same source. The orange color band on the back of the display indicates this connection.
9. **Audio Out** - Connect the audio from the LCD TV to an external device, such as an external amplifier or stereo. Speakers cannot be connected directly to here.
10. **TV** - Connect to an antenna, or cable service for standard NTSC service.
11. **DTV** – Connect to an antenna or digital cable for Digital TV.*
12. **DIGITAL AUDIO OUT** – When the DTV input is selected for viewing, the digital audio associated with Digital programming will be available on this output for connection to your home theatre system.

* For digital TV stations in your area visit www.antennaweb.org.

HDMI logo and "High-Definition Multimedia Interface" are registered trademarks of HDMI Licensing LLC.

