

POWER AND MOTION

Tools required: Screw Gun

1. Mount bearing block with motor to solid backer centered within cabinet using #10 screws (Fig. 1). Ensure the unit is level during installation.

2. Mount lift receiver close to end of motor using #10 screws. Plug motor control wires into receiver (Fig. 2). Attach the power, ground, and switch wires with ¼" spade type connectors (Fig. 5).

3. Mount included rack to the back of the TV. Insert attached rack into bearing block by aligning the V-grooves in the rack to the V-rollers in the bearing block. Insert until the gear in the bearing block comes into contact with the serpentine groove in the rack (Fig. 3).

4. To set the lower electronic stop, lower TV into desired position and press white button on receiver once (Fig.4). Raise TV into desired position and press white button once to set the electronic stop for raised position. Test the receiver's programming by lowering and raising the TV.

Fig. 1

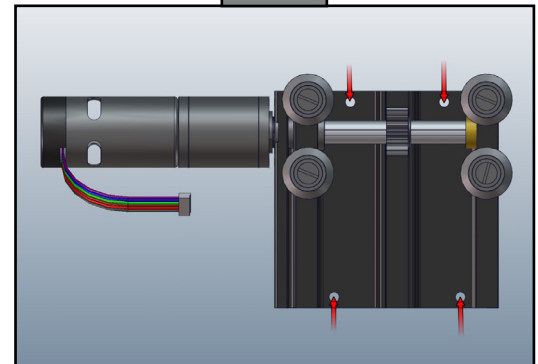


Fig. 2

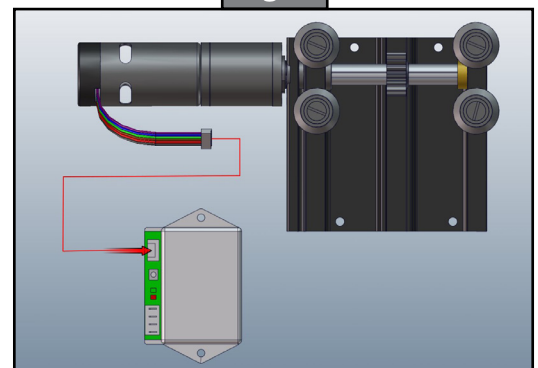


Fig. 3

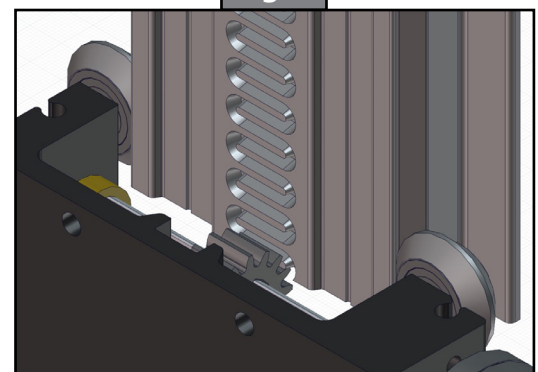
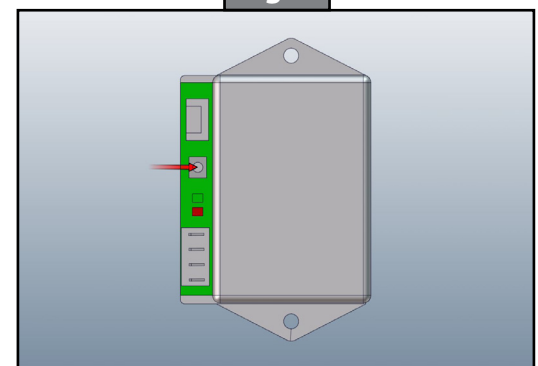
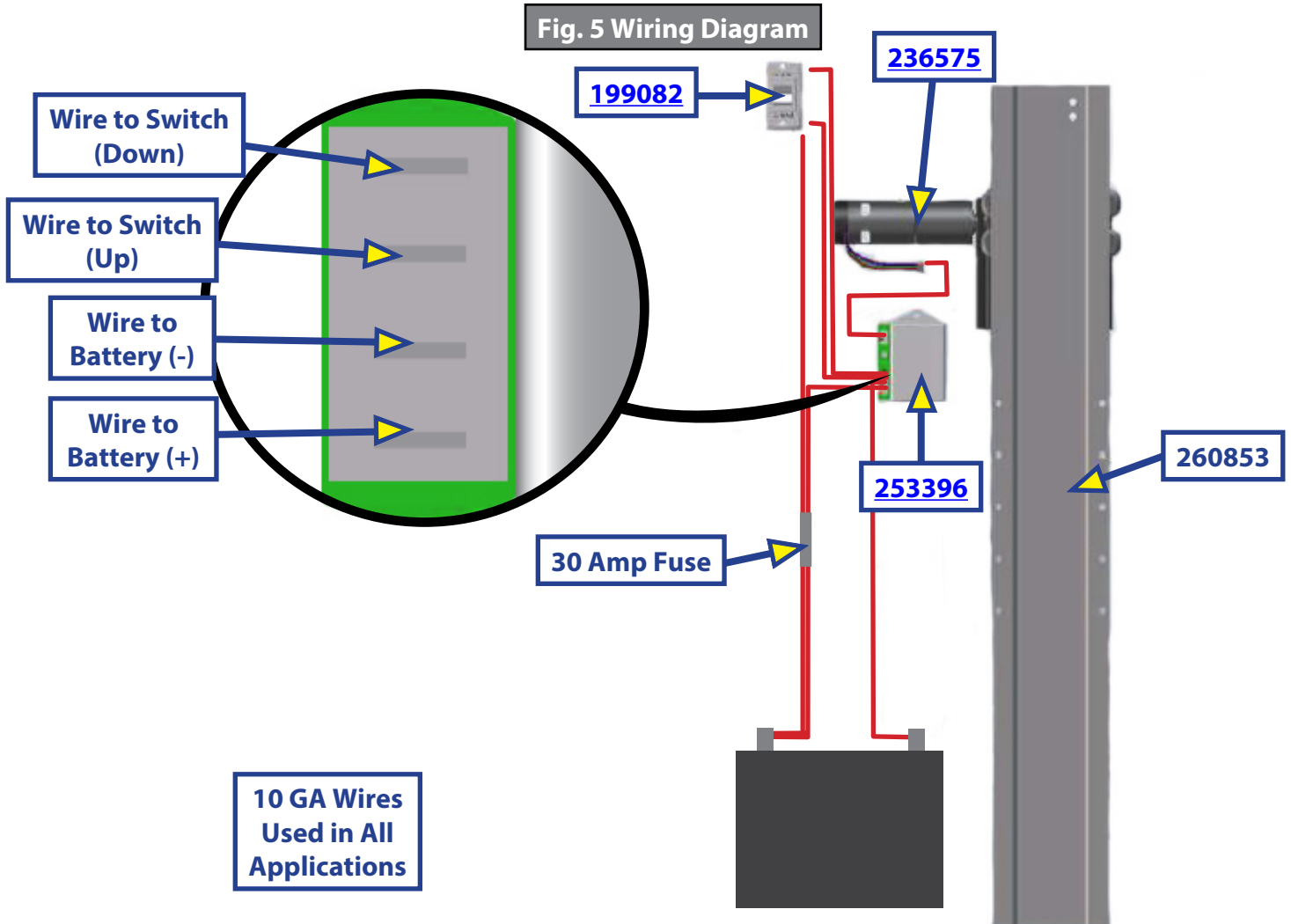


Fig. 4



POWER AND MOTION

NOTE: To pull the TV and rack back out of the lift unit, press and hold the MODE button for 5 seconds. The RED light will illuminate and the GREEN light will flash. At the switch, push the switch UP and the lift will extend the rack so it can be removed from the system. To re-install, see steps on previous page.



NOTE: Wire harness to battery and switch is customer supplied. Harness wires **MUST** be 10 gauge minimum. A 30 amp breaker should also be installed on the power lead between the battery and the controller.

As a supplier of components to the RV industry, safety, education and customer satisfaction are our primary concerns. Should you have any questions, please do not hesitate to contact us at (574) 537-8900 or by email at customerservice@lci1.com. Self-help tips, technical documents, product videos and a training class schedule are available at www.lci1.com or by downloading the MyLCI app.