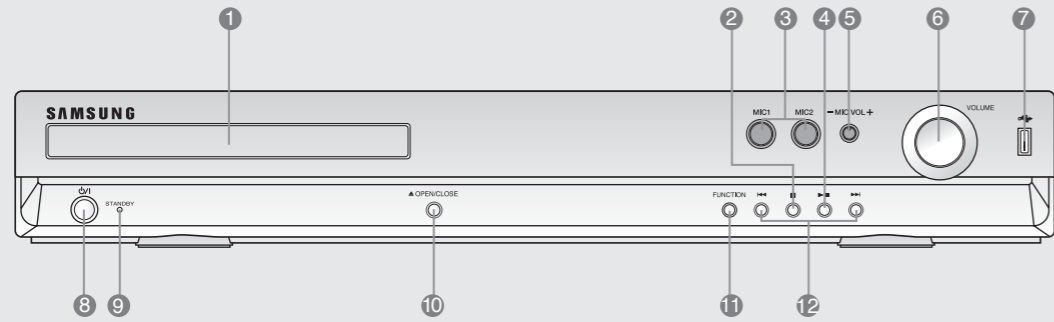


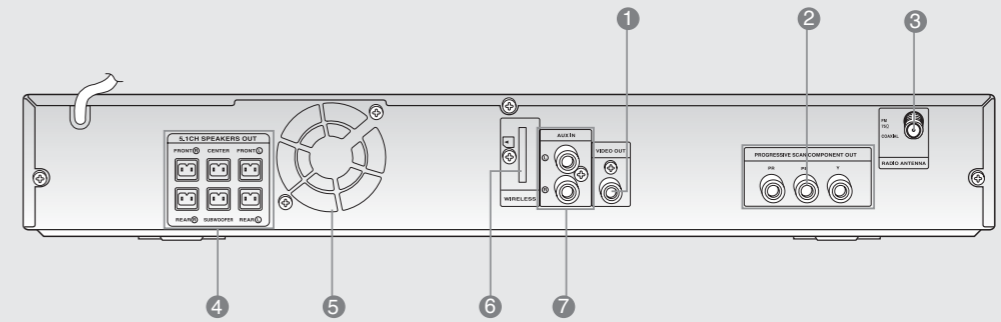
# Description

## Front Panel



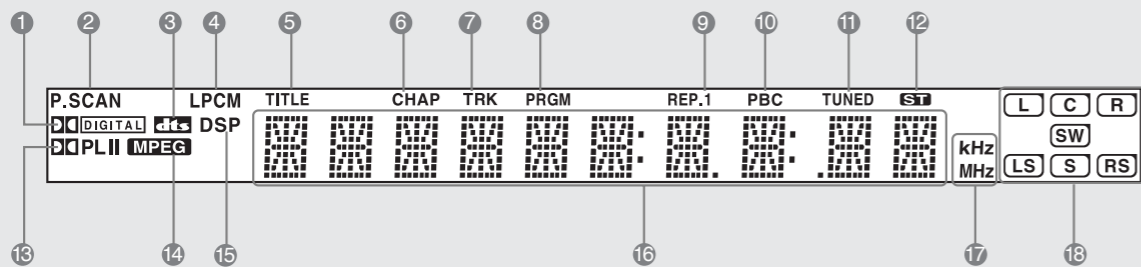
- |                            |                       |  |
|----------------------------|-----------------------|--|
| 1. Disc Tray               | 6. Volume Control     | 11. Function button  |
| 2. Stop (■) button         | 7. USB Connector      | 12. Tuning Up & Skip (▶▶) button<br>Tuning Down & Skip (◀◀) button |
| 3. MIC 1, MIC 2            | 8. Power (⏻/⏿) button |  |
| 4. Play/Pause (▶  ) button | 9. Standby indicator  |  |
| 5. MIC VOLUME Control      | 10. Open/Close button |  |

## Rear Panel



- |   |  |
|---|--|
| 1. Video Output Jack<br>Connect the TV's Video Input jack (VIDEO IN) to the VIDEO OUT jack. | 4. 5.1 Channel Speaker Output Connectors |
| 2. Component Video Output Jacks<br>Connect a TV with component video inputs to these jacks. | 5. Cooling Fan                           |
| 3. FM 75Ω COAXIAL Jack  | 6. TX Card Connection (WIRELESS)         |
|   | 7. AUX IN Jack                           |

## Display



- |                            |                      |                               |
|----------------------------|----------------------|-------------------------------|
| 1. DOLBY DIGITAL indicator | 7. TRACK indicator   | 13. PRO LOGIC indicator       |
| 2. P.SCAN indicator        | 8. PROGRAM indicator | 14. MPEG indicator            |
| 3. DTS Disc indicator      | 9. REPEAT indicator  | 15. DSP indicator             |
| 4. LINEAR PCM indicator    | 10. PBC indicator    | 16. System Status Display     |
| 5. TITLE indicator         | 11. TUNER indicator  | 17. RADIO FREQUENCY indicator |
| 6. CHAPTER indicator       | 12. STEREO indicator | 18. SPEAKER indicator         |

## Accessories



Remote Control



Video Cable



FM Antenna



User's Manual