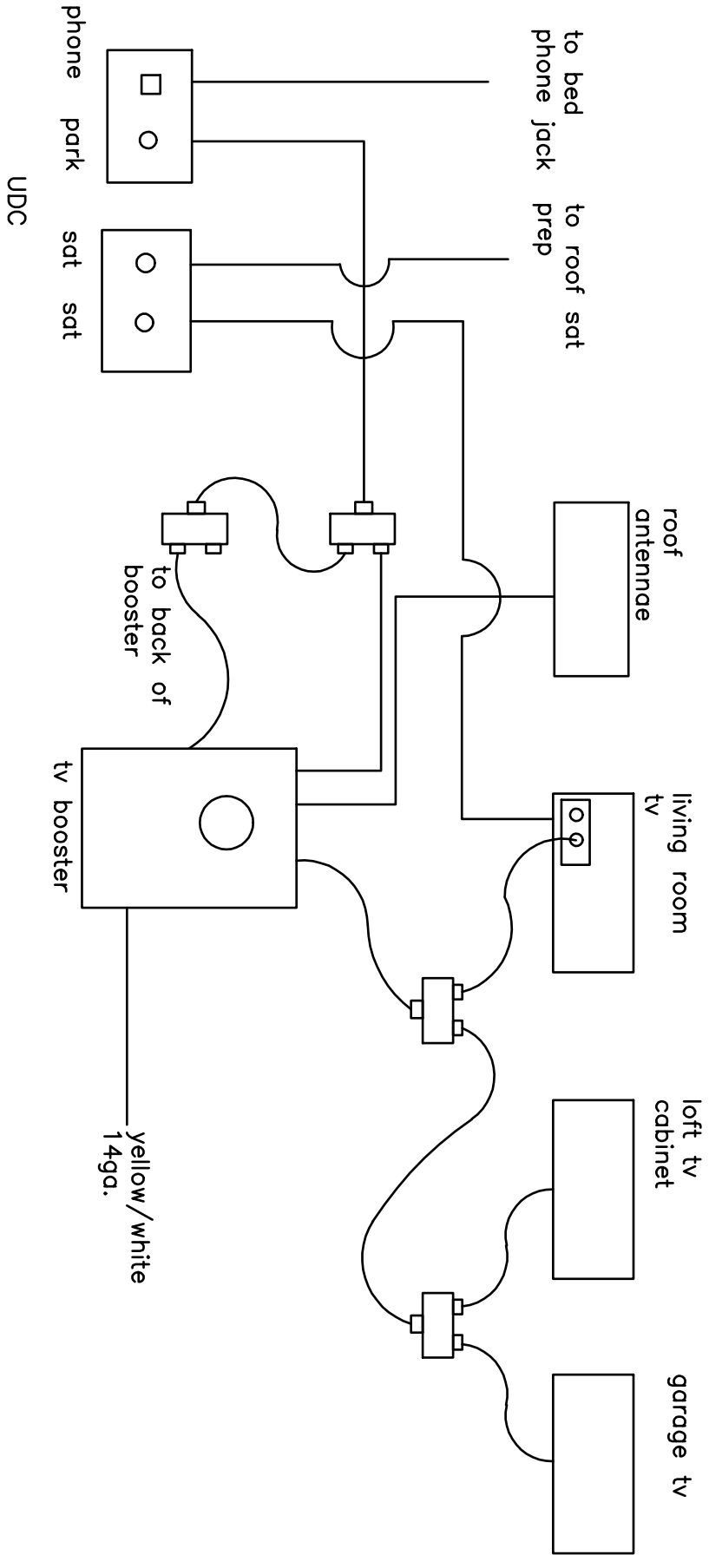


DRAWING NUMBER  
FEL-20027



BOOSTER TURNED ON = ANTENNAE  
BOOSTER TURNED OFF = PARK

THIS DOCUMENT CONTAINS TRADE  
SECRETS, CONFIDENTIAL AND  
PROPRIETARY INFORMATION, ANY  
UNAUTHORIZED USE, REPRODUCTION OR  
DISCLOSURE OF INFORMATION WITHOUT  
WRITTEN APPROVAL FROM HEARTLAND RV  
WILL WARRANT PROSECUTION.

NO.	REVISION	DATE	LAST ISSUED
1	REL FOR PROD	3/8/07	*
*		*	*
*		*	*
*		*	*
*		*	*
*		*	*
*		*	*
*		*	*
*		*	*

NOT PRINTED TO SCALE	APPROVED BY	DRAWN BY:
DATE: 03/02/2006		joeym
<b>Razor Coax Layout</b>		DRAWING NUMBER
<b>RAZOR</b>		FEL-20027

