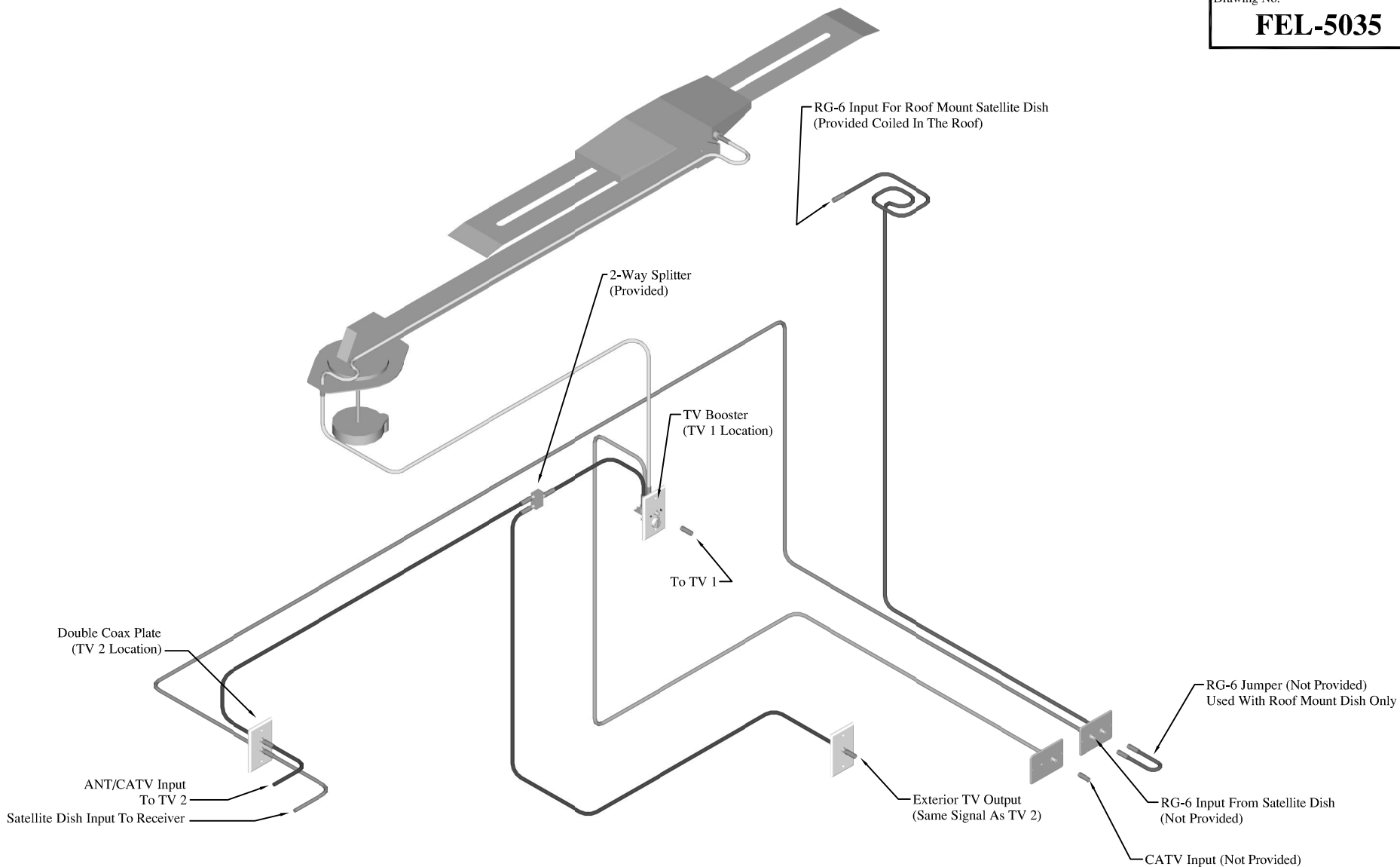


Drawing No.
FEL-5035



Hearland RV LLC claims a copyright and proprietary rights to this document and the information contained herein. It is proprietary information and confidential. This drawing may not be reproduced or given to any unauthorized agent, nor can anything be manufactured with its information without written consent from Hearland RV LLC	Rev A	Description Released For Production	Date 03/05/07	ECN# N/A	Title: CATV / Satellite TV (Big Country Models) Coax Cable Schematic Booster Location At Bedroom TV	Date: 03/05/07
	TOLERANCE Decimal: ± 0.01 Fractional: ± 1/16" Degree: ± 1° <i>DO NOT SCALE</i>					
					Heartland RV LLC	Sheet: 1 of 1
					File No. FEL-5035	Drawing No. FEL-5035