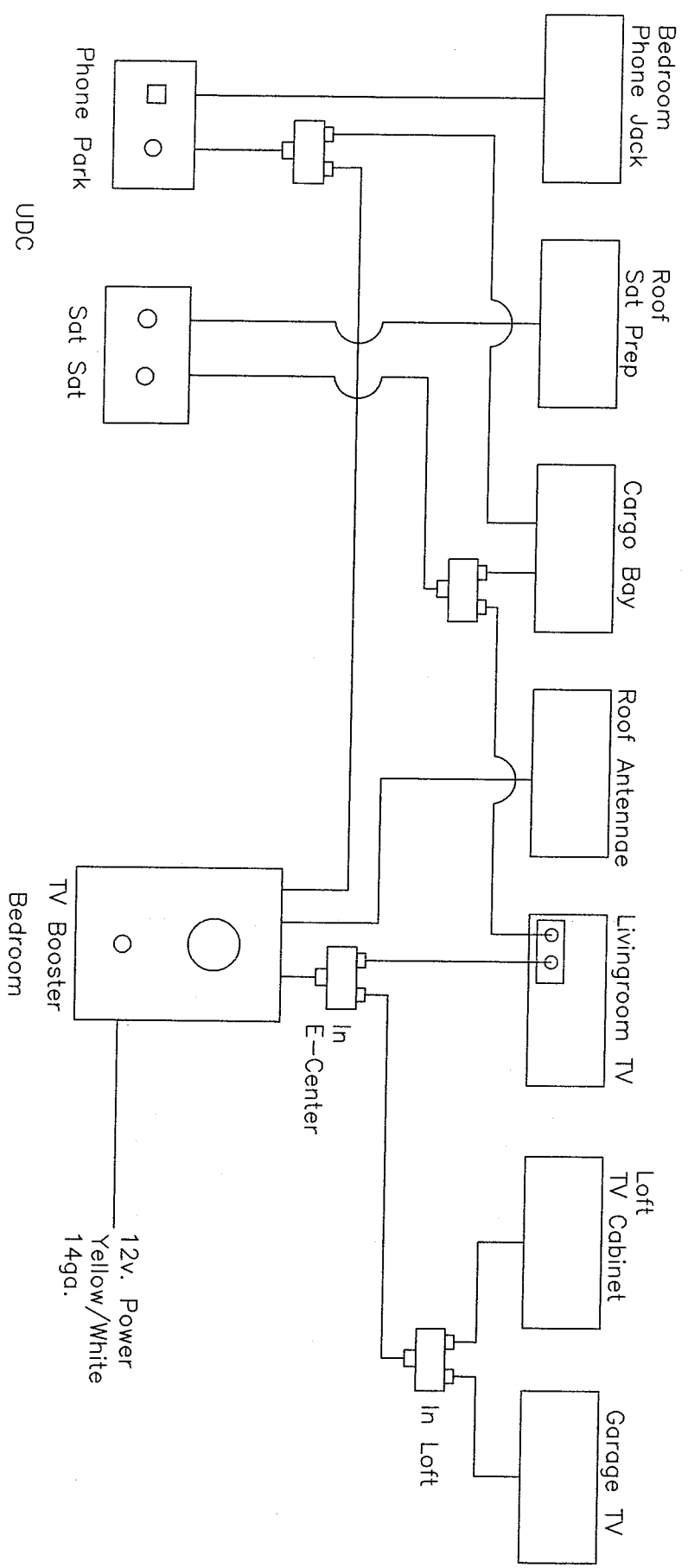


Drawing No.
FEL-20035



Heartland RV LLC retains a copyright and invention, rights in this document and the information contained herein. It is permitted to reproduce this information for personal use only. This drawing may not be reproduced or used in any way without the written consent from Heartland RV LLC.

TOLERANCE

Decimal: ±.001
Fractional: ± 1/16"
Degree: ± 1°
DO NOT SCALE

Rev	Description	Date	ECN#
1			N/A
2			N/A
3			N/A
4			N/A
5			N/A
6			N/A
7			N/A
8			N/A
9			N/A

Title:
Cyclone Coax Layout
Cyclone

Heartland RV LLC
File No.
FEL-20035

Date: 08/05/08
Drawn By: MAD

Sheet: 1 of 1
Drawing No.
FEL-20035