

WINEGARD® Wingman™

RV-WING (white) GS-WING (gray) Digital Booster

No tools required for installation.

No wires to connect.

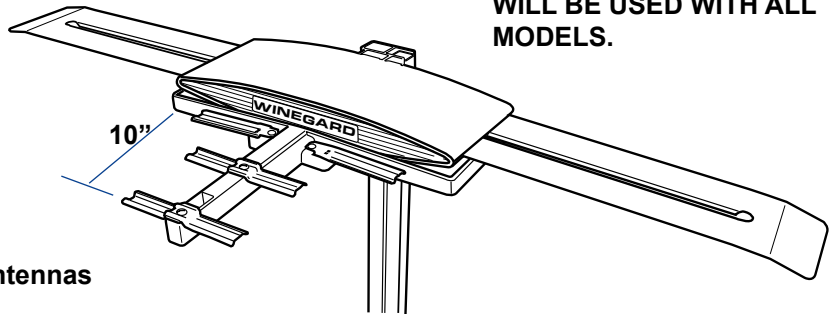
**NOT ALL PUSH RIVETS
WILL BE USED WITH ALL
MODELS.**

Parts Included:

- (1) Wingman unit
- (4) Push Rivet

Installation:

NOTE: Skip steps 1, 2 & 5 for GS Model antennas mounted to a permanent structure.



1. Allow at least 10" of clearance between the Sensor and the nearest obstruction or the edge of the roof.
2. Raise the Sensor® antenna.
3. Remove the rubber bumpers from the bottom of the Sensor. This can be done with your fingers or pliers.
4. Line the holes in the Wingman up with the holes from which you removed the rubber bumpers. GS models will not have bumpers.
5. Insert the push rivets provided into these holes. Push the rivet tabs until they click and lock into place.
6. Lower Antenna.



Winegard Company • 3000 Kirkwood Street • Burlington, Iowa 52601-2000 • FAX 319/754-0787 • www.winegard.com
Printed in U.S.A. © Winegard Company, 2008 2452167 Rev. 2 4/09

WINEGARD® Wingman™

RV-WING (white) GS-WING (gray) Digital Booster

No tools required for installation.

No wires to connect.

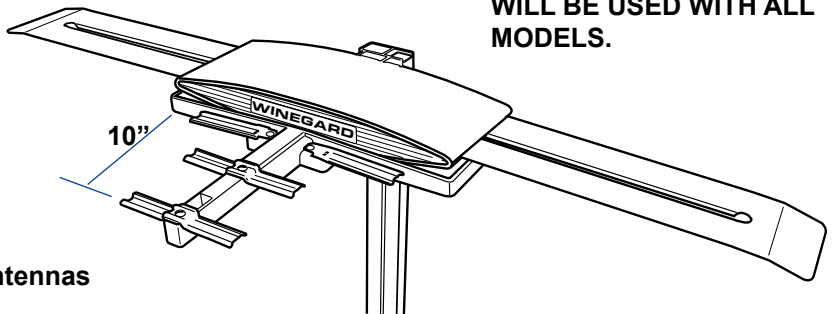
**NOT ALL PUSH RIVETS
WILL BE USED WITH ALL
MODELS.**

Parts Included:

- (1) Wingman unit
- (4) Push Rivet

Installation:

NOTE: Skip steps 1, 2 & 5 for GS Model antennas mounted to a permanent structure.



1. Allow at least 10" of clearance between the Sensor and the nearest obstruction or the edge of the roof.
2. Raise the Sensor® antenna.
3. Remove the rubber bumpers from the bottom of the Sensor. This can be done with your fingers or pliers.
4. Line the holes in the Wingman up with the holes from which you removed the rubber bumpers. GS models will not have bumpers.
5. Insert the push rivets provided into these holes. Push the rivet tabs until they click and lock into place.
6. Lower Antenna.



Winegard Company • 3000 Kirkwood Street • Burlington, Iowa 52601-2000 • FAX 319/754-0787 • www.winegard.com
Printed in U.S.A. © Winegard Company, 2008 2452167 Rev. 2 4/09