



## Owner's Manual for the 2118X series of RV Refrigerators

The letter "X", in the model numbers above, stands for letters or numerals which means a refrigerator option.



### FIRE OR EXPLOSION HAZARD

If you smell gas:

1. Open Windows
2. Do not attempt to light appliance.
3. Do not touch electrical switches.
4. Extinguish any open flame
5. Shut off fuel supply.
6. Evacuate immediately and call emergency services.

Failure to follow these instructions could result in fire or explosion, which could cause property damage, personal injury, or death.



Improper installation, adjustment, alteration, service or maintenance can cause injury or property damage. Refer to this manual. For assistance or additional information, contact a qualified installer, service agency, or the gas supplier.

### FOR YOUR SAFETY

Do not store or use gasoline or other flammable vapors and liquid in the vicinity of this or any other appliance.

**English**

## Table of Contents

---

For defined warranty terms, please see the one page warranty statement included in the product information packet.

Safety Awareness.....	2
Safety Instructions.....	3
About Your Refrigerator.....	3
Storage volume.....	3
Leveling.....	3
Operation during travel.....	4
Food compartment.....	4
Freezer compartment.....	4
Door handles.....	4
Moveable door seal.....	4
Crispers and beverage bin.....	4
Door bins.....	6
Door alarm.....	6
Interior light.....	7
Moisture reduction heaters.....	7
Temperature Control System.....	7
Backup operating system.....	7
Temperature switch monitor.....	8
Operating the Refrigerator Controls.....	8
Control panel.....	8
Automatic mode operation.....	10
Removing air from the propane gas supply lines.....	10
Set the controls to manual mode operation.....	11
Effects of High Altitude on Propane Gas Operation.....	11
Effects of Freezing Temperatures on Refrigerator Operation.....	11
Ice Maker.....	12
Ice Maker Operation.....	12
Refrigerator Care Checklist.....	13
Defrosting.....	13
Cleaning.....	14
Interior.....	14
Metal doors.....	14
Door Sealing.....	15
Refrigerator Storage.....	15
Ice Maker Storage.....	15
Refrigerator Maintenance Checklist.....	16
Refrigerator Maintenance.....	17
Gas flame appearance.....	17
Remove and clean the burner orifice.....	17
Remove the Refrigerator.....	18
Reinstall the Refrigerator.....	19
Replacement Parts.....	19
Fault Codes.....	20
Wiring Diagram and Pictorial.....	21
Ice Maker Wiring Diagram and Pictorial.....	23
Wiring Diagram and Pictorial - Low Ambient Heater.....	23

## Safety Awareness

---

Read this manual carefully and understand the contents before you use the refrigerator.

Be aware of possible safety hazards when you see the safety alert symbol on the refrigerator and in this manual. A signal word follows the safety alert symbol and identifies the danger of the hazard. Carefully read the descriptions of these signal words to fully know their meanings. They are for your safety.



**This signal word means a hazard, which if ignored, can cause dangerous personal injury, death, or much property damage.**



**This signal word means a hazard, which if ignored, can cause small personal injury or much property damage.**

## Safety Instructions

---



- The storage of flammable materials behind or around the refrigerator creates a fire hazard. Do not use the area behind the refrigerator to store anything, especially flammable materials (gasoline, cleaning supplies, etc.)
- Do not remove the round ground prong from the AC power cord of the refrigerator or the ice maker (optional). Do not use a two prong adapter or an extension cord with either AC power cord.
- A circuit overload can result in an electrical fire if the wires and/or fuses are not the correct size. Use only the wire and fuse sizes as written in the "Installation Manual".
- Incorrect installation, adjustment, change to, or maintenance of this refrigerator can cause personal injury, property damage, or both. Have service and maintenance work done by your dealer or by an Norcold authorized service center.
- Disconnect both the AC and DC power sources before doing any maintenance work on the refrigerator. All service work on this refrigerator must be done by a qualified service technician.
- Do not bypass or change the refrigerator's electrical components or features.
- When you discard an appliance, remove all doors to prevent accidental entrapment and suffocation.
- Do not spray liquids near electrical outlets, connections, or the refrigerator components. Many liquids are electrically conductive and can cause a shock hazard, electrical shorts, and in some cases fire.
- The refrigerator cooling system is under pressure. Do not try to repair or to recharge a defective cooling system. The cooling system contains sodium chromate. The breathing of certain chromium compounds can cause cancer. The cooling system contents can cause severe skin and eye burns, and can ignite and burn with an intense flame. Do not bend, drop, weld, move, drill, puncture, or hit the cooling system.
- At regular intervals, make sure that the refrigerator flue, the burner, the vent areas, and the ventilation air pathway between the vents are completely free from any flammable material or blockage. After a period of storage, it is especially important to check these areas for any flammable material or blockage caused by animals.



- The rear of the refrigerator has sharp edges and corners. To prevent cuts or abrasions when working on the refrigerator, be careful and wear cut resistant gloves.

## About Your Refrigerator

---

### Storage Volume:

This refrigerator is made for storage of foods and frozen food and for making ice.

Total capacity	18.0 cubic feet
Freezer Compartment	5.8 cubic feet
Fresh Food Compartment	12.2 cubic feet

### Leveling:



The refrigerator is made to operate within 3° off level side-to-side and 6° off level front-to-back (as looking at the front of the refrigerator). Operating it at more than these limits can cause damage to the cooling system and create a risk of personal injury or property damage. Make sure the vehicle is level before you operate the refrigerator.

## Operation during travel:

While the refrigerator should be level when the vehicle is stopped, performance during travel is not usually effected.

## Food compartment:

Start up the refrigerator (see "Operating the Refrigerator Controls") and let it cool for eight hours before loading with food. If the refrigerator does not start to cool down after about two hours, contact your dealer or a Norcold authorized service center.

For the best cooling performance:

- Let air move freely inside the entire food compartment.
- Do not cover the shelves with plastic, paper, etc.

To decrease the amount of ice that collects on the cooling fins:

- Cover all liquids and moist foods.
- Let all hot foods cool before putting them in the refrigerator.
- Do not open the door any longer than necessary.

## Freezer compartment:

The freezer compartment is made to keep pre-frozen food frozen and not to quick freeze food.

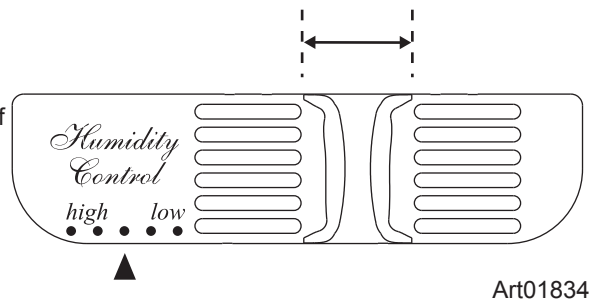
## Door handles:

During travel, the door latch prevents the door from opening. When closing each door, push the door toward the refrigerator until you hear a "click" sound.

To open each door, pull the handle away from the refrigerator (See Art02494).

## Movable door seal:

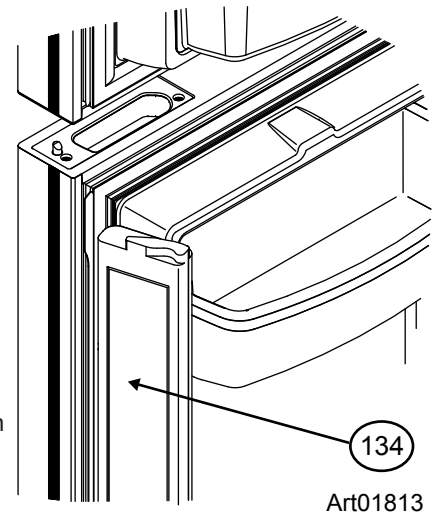
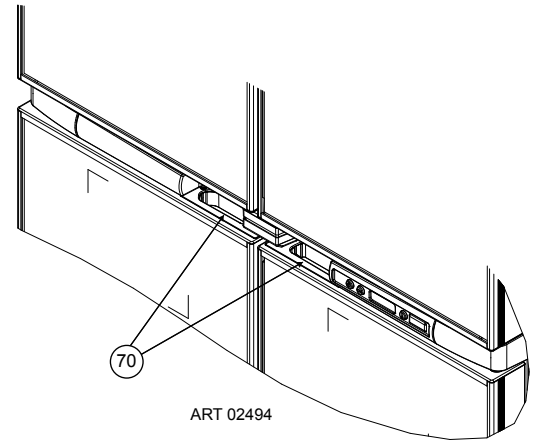
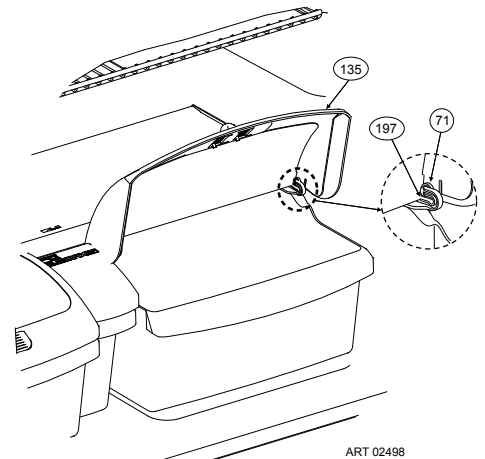
The movable door seal [134] is located on the left door of the fresh food compartment (See Art0813). It provides the correct seal when both doors of the fresh food compartment are closed. When the left door of the fresh food compartment opens, the movable door seal moves so that it is flat against the edge of the door. To avoid possible damage to the movable door seal, make sure that it is flat against the edge of the door before you close the door



## Crispers and beverage bin:

The crispers are located at the bottom of the fresh food compartment and supply a storage area to preserve fruit and vegetable freshness. Make sure that you always push the crispers fully in. The crisper covers open as the crispers open and close as the crispers close.

Each crisper also has an adjustable vent that is used to adjust the humidity inside each crisper. Move each vent toward the right (high humidity) for most vegetables or toward the left (low humidity) for most fruits (See Art01834).



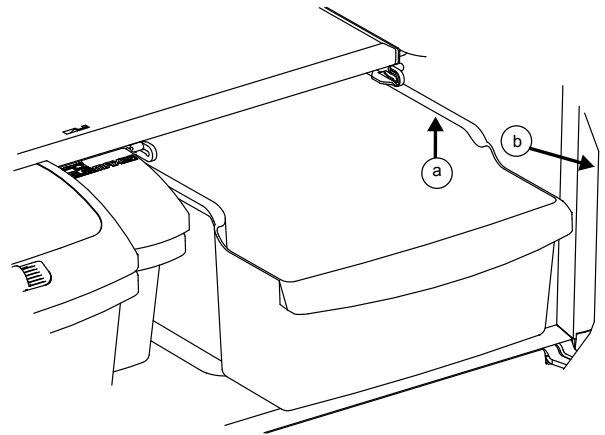
The crispers, crisper covers, beverage bin, and beverage bin cover are removable for cleaning.

**NOTICE**

*Do not wash the crispers, crisper covers, beverage bin, or beverage bin cover in a dishwasher. These parts are not dishwasher safe.*

To remove the crisper covers (See Art02498):

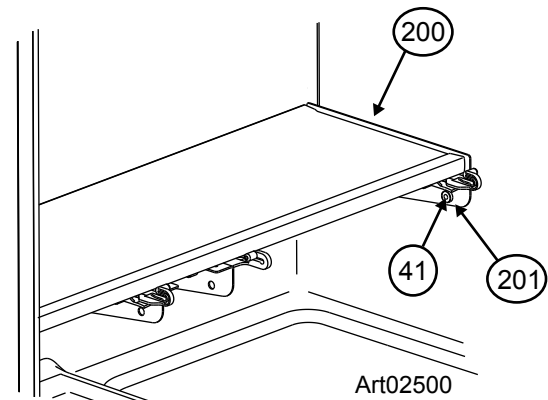
- With the crisper closed, lift the crisper cover [135] to the fully raised position.
  - Locate the hinge pins [71] that are part of the crisper cover rails [197].
  - Push the front of one of the crisper cover rails inward toward the crisper so you can lift that side of the crisper cover off of the hinge pin.
  - Slide the opposite side of the crisper cover off of the other hinge pin.
- To reinstall the crisper covers, do this procedure in the opposite order.



ART 02499

To remove the crispers (See Art02499):

- Pull each crisper forward until it reaches the “stop” position.
  - Lift up on the front of the crisper [a] and continue to pull the crisper out [b].
- To reinstall the crispers, do this procedure in the opposite order.



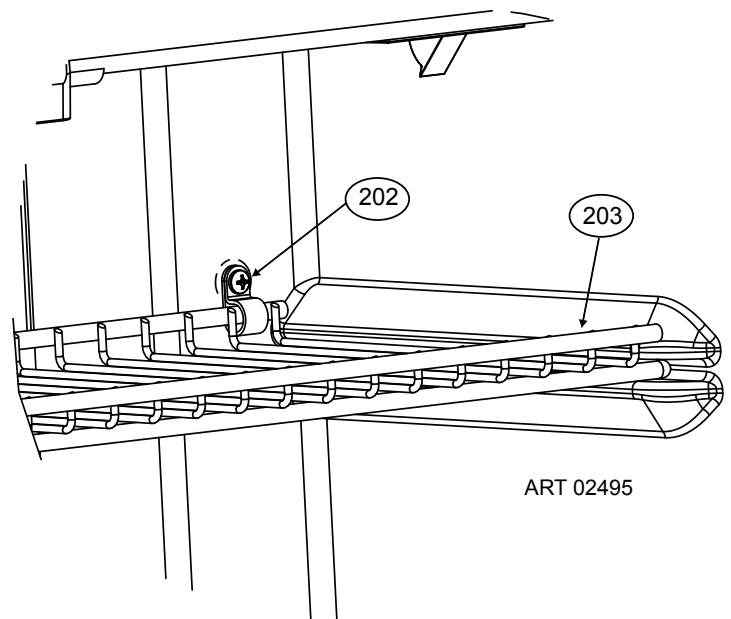
Art02500

To remove the bottom full shelf (See Art02500):

- Remove the crisper covers, the crispers, the beverage bin and the beverage bin cover.
  - Locate the two (2) screws [41] that attach the bottom full shelf [200] (one screw is on the bottom of each side).
  - Remove and save the screws and the plastic spacers [201].
  - Using both hands, slide the shelf out of the rails.
- To reinstall the bottom full shelf, do this procedure in the opposite order.

To remove the top full shelf (See Art02495):

- Locate the screws that attach the plastic clips [202] (the top shelf clips are located at the end of each shelf and the lower shelf clips are located in the center of the shelf).
  - Remove and save the screws and the plastic clips.
  - Pul the top full shelf forward [203] to remove.
- To reinstall the top full shelf, do this procedure in the opposite order.



ART 02495

### Door bins:

You may put the small door bins [52] of the freezer and fresh food compartment in a location that best meets your needs. You **must** put the large door bins in the lowest positions or else the large door bins will touch the shelves and the doors will not close (See Art 01815).

To remove the bins, lift them over the locator and pull them forward. To install the bins, push them onto the locator.

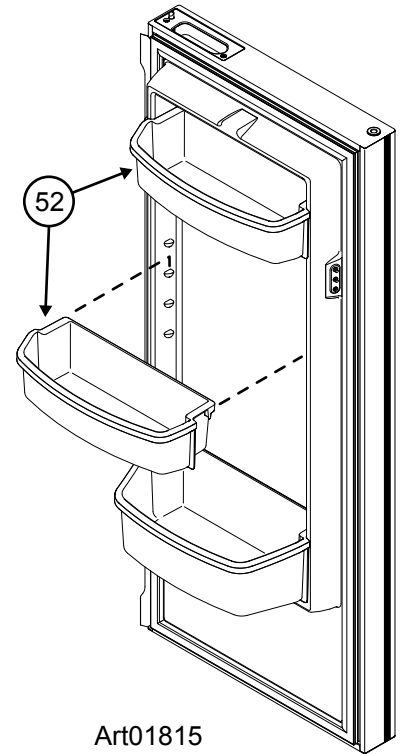
**NOTICE** Do not wash the door bins in a dishwasher. The door bins are not dishwasher safe.

### Door alarm:

The refrigerator has an alarm to alert you if a fresh food compartment door is not closed. The refrigerator continues to operate, but if a fresh food compartment door is open and the interior light remains on for two minutes:

- An audible alarm starts.
- "dr" appears in the center display.
- The interior light automatically turns off.

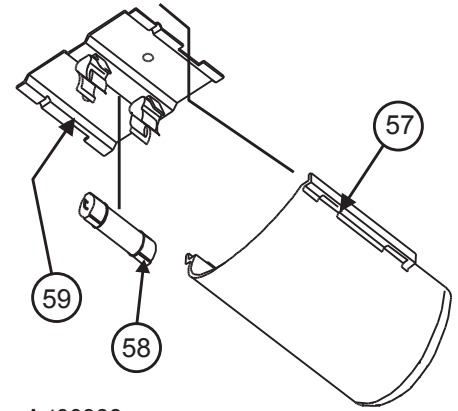
Close the door to silence the alarm.



### Interior light:

The interior light is at the top of the fresh food compartment. It comes on when the refrigerator is ON and the door is open. To replace the bulb:

1. Remove the DC power supply wires from the power board at the rear of the refrigerator.
2. Remove the cover [57] by pulling it toward the front of the refrigerator (See Art00988).
3. Remove the light bulb [58] from the holder [59].



Art00988

**NOTICE** Use only a GE#214-2 bulb as the replacement bulb. This bulb is available at most retail automotive parts centers.

4. Install the replacement bulb.
5. Install the cover.
6. Connect the DC power supply wires to the power board at the rear of the refrigerator.

### Moisture reduction heaters:

The refrigerator has heaters that prevent moisture from forming on the center divider between the two doors and the perimeter of the freezer compartment, and on the movable door seal. The heaters operate only when the refrigerator is ON and the DC power is sufficient. The heater in the movable door seal also only operates when both doors of the fresh food compartment are closed.

### Temperature control system:

Although the refrigerator is not frost-free, it is made to limit frost on the cooling fins. At regular intervals, the temperature control system automatically melts most of the frost from the cooling fins. The water from the cooling fins drains into a collection cup that is attached to the back of the refrigerator. The heat of the cooling system evaporates the water from the collection cup.

### Backup operating system:

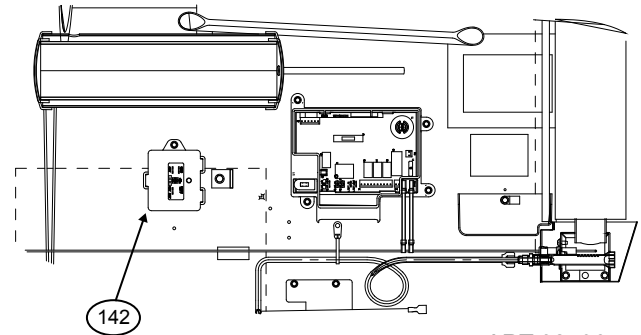
This refrigerator has a backup operating system. The backup operating system allows the refrigerator to continue to cool if the temperature sensor of the refrigerator should fail.

If this failure occurs:

- The refrigerator automatically changes to the backup operating system.
  - When you push the TEMP SET button, the temperature setting flashes in the center display for ten seconds.
- The backup operating system can overfreeze or thaw the contents of the freezer and the fresh food compartment.
  - Make sure the temperatures of the freezer and the fresh food compartment are satisfactory.

## Temperature switch monitor:

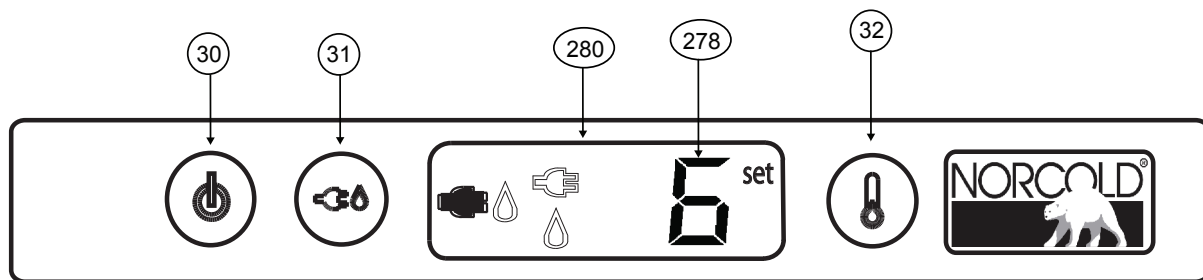
The refrigerator is equipped with a temperature switch [142] for overheating protection (See Art02496) . A Norcold authorized service technician can determine if this switch has been triggered.



ART 02496

## Operating the Refrigerator Controls

---



ART 02492

### Control panel:

The refrigerator control panel (See Art02492) is between the freezer compartment and the fresh food compartment. A 12 volt DC power supply is necessary for the control functions of the refrigerator to operate. The refrigerator receives DC power from the 12 volt system of the vehicle; either an auxiliary battery, a converter, or the vehicle engine battery.

The POWER ON/OFF button [30] starts and shuts down the refrigerator.

- Push and release the POWER ON/OFF button [30] to turn on the refrigerator.
- Push and hold the POWER ON/OFF button [30] for one second to turn off the refrigerator.

The MODE button [31] changes the modes of operation of the refrigerator.

- Push and hold the MODE button [31] to scroll through the available operation modes of the refrigerator, one after the other (See Art02397).
- When the desired mode indicator comes on, release the MODE button.



- Or push and release the MODE button again and again to change the available operation modes of the refrigerator, one at a time.

- As you change the mode, the applicable mode indicator will come on.

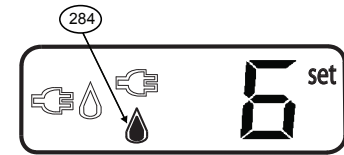
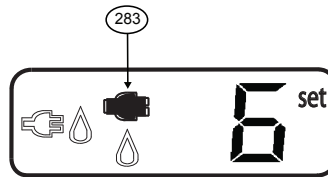
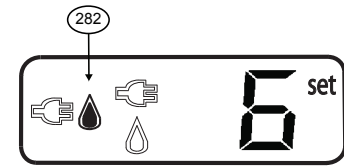
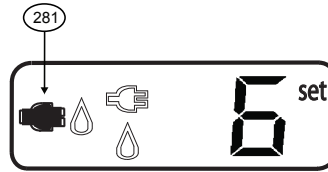
- The mode indicators are (See Art02493):

- Auto mode AC electric [281].

- Auto mode gas [282].

- Manual mode AC electric [283].

- Manual mode gas [284].



- Select one of three (3) modes of operation

ART 02493

**AUTO mode**                      The refrigerator's electronic controls automatically select the the most efficient energy source that is available. Either the Auto mode AC indicator [281], the Auto mode gas indicator [282], comes on.

**MANUAL AC mode**            The refrigerator cools using only AC electric power as the power source. The Manual mode AC indicator [283] comes on.

**MANUAL GAS mode**        The refrigerator cools using only propane gas as the power source. The Manual mode gas indicator [284] comes on.

Select the temperature setting:

- Push and hold the TEMPERATURE SET button [32] to scroll through the temperature settings, one after the other (See Art02492).

- Or push and release the TEMPERATURE SET button again and again to change the temperature settings, one at a time.

- The temperature settings come on as numbers in the LCD.

- Select one of nine (9) temperature settings:

- The number one (1) is the warmest temperature setting.

- The number nine (9) is the coldest temperature setting.

## **Automatic mode operation:**

When the refrigerator is in AUTO mode, the electronic controls of the refrigerator automatically select and use the most efficient energy source that is available for operation.

During operation, if a more efficient energy source becomes available, the electronic controls of the refrigerator automatically changes from the current energy source to the more efficient energy source as follows:

- The first choice of operation is AC electric mode.
  - If AC electric is not available to the refrigerator, if the AC electric is outside of the permitted operating range, or if the AC heater does not operate; the electronic controls of the refrigerator automatically change to the second choice of operation.
- The second choice of operation is gas mode.
  - The refrigerator attempts to operate the propane gas burner. If unable to establish and maintain a flame, a “no” FL” fault code shows on the LCD. Refer to “Fault Codes” section of this manual.

## **Removing air from the propane gas supply lines:**

For safety reasons, the burner is made to ignite on propane gas within a specified amount of time. When starting the refrigerator for the first time, after storage, or after replacing the propane gas tank, the propane gas supply lines can have air in them. Due to the air in the gas supply lines, the refrigerator may not ignite on propane gas within the specified amount of time.

To remove the air from the propane gas supply lines:

- Make sure that all of the gas valves are open.
- Push and release the POWER ON/OFF button [30] to turn on the refrigerator.
- Push and hold the MODE button [31] until the Manual mode gas indicator [284] is on.
- Push and release the TEMPERATURE SET button until the desired temperature setting shows.
- The refrigerator will start a 30 second trial for ignition.
  - During the 30 second trial for ignition, the refrigerator controls open the gas safety valve and the igniter sparks.
  - After 30 seconds, if the Manual mode gas indicator remains on, it means that the refrigerator is operating on propane gas.
  - At this time, all of the air is removed from the propane gas supply lines and you may select AUTO mode of operation if you wish.
- If the gas does not ignite within 30 seconds, the gas valve of the refrigerator will automatically close and a “no” “FL” fault code will show in the LCD. To reset the controls, press and hold the POWER ON/OFF button for 1 second to turn the refrigerator off, then press it again to restart the refrigerator and begin another 30 second trial for ignition.
  - Depending on how much air may be in the propane gas supply lines, you may need to repeat the 30 second trial for ignition two or three times.
  - If the burner does not ignite on propane gas after two or three attempts, stop and consult your local dealer or an authorized Norcold Service Center.

### Set the controls to manual mode operation:

- Push and release the POWER ON/OFF button [30] to turn on the refrigerator.(See Art02493)
- Push and hold the MODE button [31] until the desired Manual mode indicator comes on.
  - Manual mode AC electric [283].
  - Manual mode gas [284].

If the energy source is interrupted:

- A fault code shows in the LCD.
- Refer to the “Fault Codes” section of this manual.

### Shut down:

- Push and hold the POWER ON/OFF button [30] for one second to turn off the refrigerator.

## Effects of High Altitude on Propane Gas Operation

---

When you operate the refrigerator on propane gas at altitudes higher than 5500 feet above sea level:

- You may experience reduced cooling performance of the refrigerator.
- You may experience burner outages.

To avoid these possible problems, Norcold recommends that you operate the refrigerator on AC when at altitudes higher than 5500 feet above sea level.

## Effects of Freezing Temperatures on Refrigerator Operation

---

A gas absorption refrigerator is not designed to operate in freezing temperatures. If the refrigerator is not equipped for low temperature operation, and if the cooling system of the refrigerator is exposed to temperatures of 32° F. or lower for an extended period of time, the refrigerator operation may be disrupted. The refrigerator operation will resume when the cooling system of the refrigerator warms sufficiently.

The refrigerator is equipped for low temperature operation. The refrigerator will operate in temperatures down to 0° F with the cold weather kit provided if connected.

Disrupted operation of the refrigerator, due to extended exposure to temperatures of 32° F. or lower, and any costs incurred to warm the cooling system of the refrigerator are not covered by the Norcold limited warranty. Please contact your local RV dealer for information about how to resume refrigerator operation or about how to equip your refrigerator for operation in freezing temperatures.

Do not change the installation or the venting of your refrigerator. Refrigerator failures, which are the result of changes to either the refrigerator installation or to the venting, are not covered by the Norcold limited warranty.

### **NOTICE**

*This kit supplies DC voltage to the heater any time the ambient temperature is low enough. Extended storage during cold weather will drain the vehicle batteries. To prevent battery drain, remove the 3 amp fuse from the low ambient heater.*

## Ice Maker

The ice maker is fully automatic and will operate in ambient temperatures as low as 0° F. To allow operation at temperatures between 0° F and 32° F., the ice maker has a heater on the solenoid water valve and on the water line between the solenoid valve and the ice maker. At temperatures below 0° F, store the ice maker as written in the “Ice Maker Storage” section of this manual.

**CAUTION** The water line heater does not protect the water supply line from the vehicle shut off valve to the solenoid valve on the back of the refrigerator.

When the freezer temperature of the refrigerator is low enough, the ice maker opens the water solenoid valve and fills the mold. The ice maker ejects the frozen ice into a storage bin. As the storage bin fills, the ice raises the shut-off arm until it turns off the ice maker. As you use the ice and lower the ice level in the storage bin, the shut-off arm also lowers. This turns the ice maker ON and begins the process of making ice.

The ice maker operates on:

- Cold potable water at a pressure of 15 psi - 125 psi.
- 120 Volts AC (108 VAC min. - 132 VAC max.).

### Ice maker operation:

1. Make sure the ice maker AC power cord is plugged into a receptacle.
2. Open the water shut off valve of the vehicle.

**NOTICE** Make sure that the ice maker arm can move freely and does not touch the frozen foods in the freezer.

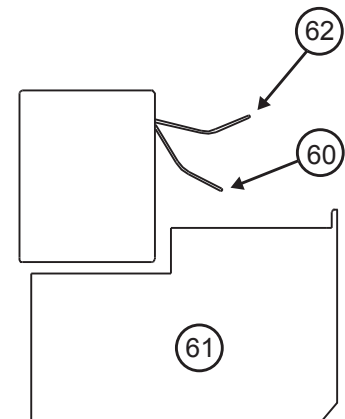
3. Push the ice maker arm down to the ON position [60] (See Art01015).

**CAUTION** If you operate the refrigerator without connecting the water supply line and/or opening the water shut off valve of the vehicle, make sure the ice maker arm is up in the OFF position.

4. Allow the freezer to cool enough and ice production will begin to fill the storage bin [61].

**NOTICE** New plumbing connections and/or impurities in the water supply line after winterizing can cause the first ice to be discolored or have an odd flavor.

5. To stop the ice maker, push the ice maker arm up to the OFF position [62].



Art01015

## Refrigerator Care Checklist

---

Your refrigerator will give you years of trouble free service if you do these simple checks every three to six months:

- Keep the food compartment and the freezer clean. See "Cleaning".
- Make sure the door seals correctly. See "Door Sealing".
- Be aware of any cooling changes that are not because of weather, loading, or gas control changes. If changes occur, contact your dealer or service center.
- Make sure the gas supply is propane gas only and not butane or a butane mixture.
- When in propane gas operation, examine the appearance of the flame. See "Gas Flame Appearance".
- Make sure the air flow in the lower intake vent, through the refrigerator coils and condenser, and out the upper exhaust vent is not blocked or decreased.
- Make sure the area behind the refrigerator is clear. Do not use the area behind the refrigerator for storage of anything, especially combustible materials, especially gasoline and other flammable vapors and liquids.

## Defrosting

---

The cooling fins of the refrigerator operate at below freezing temperature and will naturally form frost from humidity, which is always present in the air. The humidity inside the refrigerator increases:

- with higher outside temperature and humidity.
- with the storage of non-sealed fresh foods or warm foods.
- with the amount of time that the door(s) are open.
- with any air leakage into the refrigerator.

Although the refrigerator is not frost-free, it is made to limit frost on the cooling fins. At regular intervals, the temperature control system automatically melts most of the frost from the cooling fins. The water from the cooling fins drains into a collection cup that is attached to the back of the refrigerator. The heat of the cooling system evaporates the water from the collection cup.

It is normal for frost to collect inside the freezer. Excess frost decreases the cooling performance of the refrigerator. Defrost the refrigerator and freezer as necessary:

- Remove all food from the refrigerator.
- Turn the refrigerator OFF.

**NOTICE** *Defrosting the refrigerator makes excess water inside the refrigerator.*

- Remove the drain hose from the drip cup at the rear of the refrigerator.
- Put the drain hose into a half-gallon or larger container to capture water.
- Put dry towels (etc.) inside the refrigerator and freezer to absorb melted frost.

**CAUTION** **High temperatures can cause the inside surfaces of the refrigerator to warp or melt. Do not use pans of HOT water, a hair dryer, or any other high temperature devices to defrost the refrigerator. Do not use any hard or sharp objects to remove frost. Damage to the interior of the refrigerator can occur.**

- To increase the speed of defrosting, put pans of WARM water in the refrigerator and freezer.
- Remove the wet towels (etc.) and dry the interior.
- Remove the drain hose from the large container and put the drain hose back into the drip cup.
- Remove the large container from the enclosure.
- Start up the refrigerator.
- Allow the refrigerator to cool down.
- Return all food to the refrigerator.

## Cleaning

---

### Interior:

Clean the inside of the refrigerator as often as necessary to avoid food odors:

- Remove all food from the refrigerator.

**NOTICE** *Do not use abrasive cleaners, chemicals, or scouring pads because they can damage the interior of the refrigerator.*

- Wash the interior with a mild cleaner or a solution of liquid dish detergent and warm water.
- Rinse with a solution of baking soda and clean water.
- Dry with clean cloth.
- Put all food in the refrigerator.

### Metal doors:

To clean the metal doors:

- Wash the doors with a mild cleaner or a solution of liquid dish detergent and warm water.
- Rinse with clean water.
- Dry with clean cloth.

**NOTICE** *Do not use abrasive cleaners, chemicals, or scouring pads because they can damage the metal doors.*

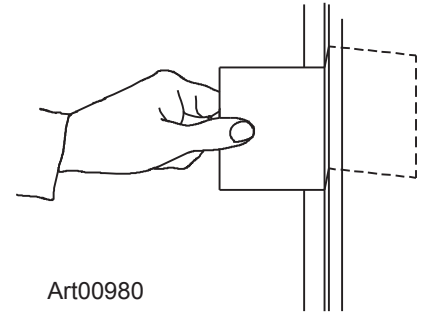
## Door Sealing

---

Check the seal of the doors (See Art00980).

If a door does not seal correctly, excess frost will collect inside the refrigerator. Make sure the doors seal correctly:

- Close each door on a piece of paper that is about the size and thickness of a dollar bill.
- Gently pull the paper.
  - You should feel a slight drag between the gasket and the cabinet.
  - Do this on all four sides of the door.
  - If you do not feel a slight drag on the paper, the door does not seal correctly.
  - Have your dealer or an authorized Norcold Service Center correct the seal of the door.



## Refrigerator Storage

---

Before the refrigerator is stored for an extended (seasonal) period of time:

- Clean the interior of the refrigerator.
- Do not close the doors completely.

If the refrigerator is stored for an extended period of time, before start up:

- Make sure there are no obstructions in the vents, the ventilation air pathway, the burner, the orifice, or the flue area.

## Ice Maker Storage

---

To prepare the ice maker for seasonal storage:

1. Close the vehicle water supply valve to the ice maker.
2. Push the ice maker arm up until it locks into the OFF position.
3. Remove the garden hose adapter from the water solenoid valve.
4. Remove the ice maker water line from the water solenoid valve
  - Do not unwrap the water line heater wires from around the water solenoid valve.
5. Drain all of the water from both the water supply line and the ice maker water line.
6. Put the end of the water supply line, the end of the ice maker water line, and the water solenoid valve each into a clean plastic bag.
7. Use tape to close each plastic bag around the water lines and the water solenoid valve.

To use the ice maker after seasonal storage:



**Do not operate the ice maker when the ambient air temperature is 0° F. or lower. Damage to the water solenoid valve and the water supply line can occur.**

1. Remove the tape and plastic bags from the end of the water supply line, the end of the ice maker water line, and the water solenoid valve.
2. Connect the ice maker water line to the water solenoid valve.
3. Connect the garden hose adapter to the water solenoid valve.
4. Push the ice maker arm down into the ON position.
5. Open the vehicle water supply valve to the ice maker.

**NOTICE**

*You should discard and not use the first two batches of ice cubes. It will take about three cycles for the ice maker to make fully formed and clean ice cubes.*

## Refrigerator Maintenance Checklist

---

Read and understand the following maintenance sections of this manual.

**NOTICE**

*Norcold is not responsible for installation, adjustment, alteration, service, or maintenance performed by anyone other than a qualified RV dealer or a Norcold authorized service center.*

Have a qualified RV dealer or a Norcold authorized service center do these annual safety and maintenance checks:

- Examine the gas supply lines for leaks.
  - Replace or repair if needed.
- Make sure the propane gas pressure is 11 inches water column.
  - Adjust if needed.
- Make sure the combustion seal is complete and intact.
  - Replace or repair it if needed.
- Make sure the burner and the burner orifice are clean.
  - Clean if needed.
- Make sure the electrode [167] is clean and the spark gap is 1/8 - 3/16 inch.(see Art02497)
  - Adjust if needed.
- Make sure the AC voltage is 108 -132 volts and the DC voltage is 10.5 - 15.4 volts.



## Refrigerator Maintenance

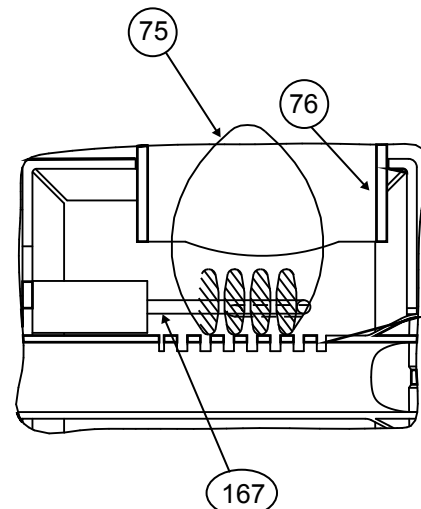
### Gas flame appearance:

While in LP GAS operation, examine the appearance of the gas flame:

- Push the TEMP SET button until the number "9" appears in the center display.
- Open the lower intake vent.

**CAUTION** The burner box cover can be hot. Wear gloves to avoid burns.

- Look at the gas flame [75] (See Art02497).
  - The flame should be:
    - a darker blue color on the inside of the flame and a lighter blue color on the outside of the flame.
    - a constant shape without flickering.
  - Contact your dealer or Norcold authorized service center if the flame is:
    - yellow
    - flickering or changing shape.
  - Make sure the flame does not touch the inside of the flue tube [76].
  - If the flame touches the inside of the flue tube, contact your dealer or Norcold authorized service center.
- Close the burner box door.



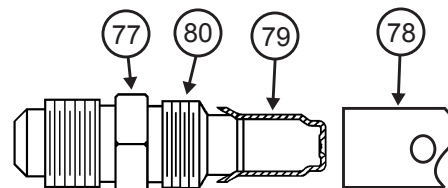
ART 02497

### Remove and clean the burner orifice:

Your dealer or Norcold authorized service center must do this procedure.

Remove and clean the burner orifice (See Art00956):

- Close the valve at the propane gas tank(s).
- Push the ON / OFF button to shut down the refrigerator.
- Open the lower intake vent.



Art 00956

**CAUTION** The burner box cover can be hot. Wear gloves to avoid burns.

- Remove the burner box cover by removing the screw(s).

**WARNING** To avoid possible propane gas leaks, always use two wrenches to loosen and tighten the gas supply line connections.

- Remove the flare nut from the orifice assembly [77] (See Art00956).
- Remove the orifice assembly from the burner [78].

**WARNING** Do not try to remove the orifice [79] from the orifice adapter [80] when cleaning. Removal will damage the orifice and seal of the orifice and can cause a propane gas leak. Leaking propane gas can ignite or explode which can result in dangerous personal injury or death. Do not clean the orifice with a pin or other objects.

- Clean the orifice assembly with air pressure and alcohol only.
- Using a wrench, assemble the orifice assembly to the burner.
- Assemble the flare nut to the orifice assembly.
- Examine all of the connections for gas leaks.
- Assemble the burner box cover.

## Remove the Refrigerator

---

Your dealer or Norcold authorized service center must do this procedure.



**The rear of the refrigerator has sharp edges and corners. To prevent cuts or abrasions when working on the refrigerator, be careful and wear cut resistant gloves.**



**To avoid possible propane gas leaks, always use two wrenches to loosen and tighten the gas supply line connections.**

1. Close the valve at the propane gas tank(s).
2. Remove the black AC power cord and the white ice maker AC power cord (optional) from the receptacle.
3. Remove the DC wiring from the refrigerator:
  - Put a mark on the DC wires so you can put them back in the correct location.
  - Remove the DC fuse or remove the DC wiring from the battery or the converter.
  - Remove the DC wires from the refrigerator.
4. Open the lower intake vent and remove the gas supply line from the bulkhead fitting of the refrigerator.
5. Remove the top and bottom trim pieces by pulling them forward until they “snap” off of the refrigerator.
6. Remove the screws from the upper and lower mounting flanges on the front of the refrigerator.
7. Remove the screws from the mounting flange at the rear of the refrigerator.
8. Remove the refrigerator from the opening.

## Reinstall the Refrigerator

---

Your dealer or Norcold authorized service center must do this procedure.



**Make sure the combustion seal is not broken, is completely around the refrigerator mounting flanges, and is between the mounting flanges and the wall of the enclosure. If the combustion seal is not complete, exhaust fumes can be present in the living area of the vehicle. The breathing of exhaust fumes can cause dizziness, nausea, and in extreme cases, death.**

1. Push the refrigerator completely into the enclosure.
2. Install the screws in the upper and then the lower mounting flanges on the front of the refrigerator.
3. Install the screws in the mounting flange at the rear of the refrigerator.
4. Push the top and bottom trim pieces onto the to front of the refrigerator until they “snap” into position.



**To avoid possible propane gas leaks, always use two wrenches to loosen and tighten the LP gas supply line connections.**

5. Attach the gas supply line to the bulkhead fitting of the refrigerator.
6. Open the valve at the propane gas tank(s).



**Do not allow the leak checking solution to touch the electrical components. Many liquids are electrically conductive and can cause electrical shorts and in some cases, fire.**

7. Using a leak detecting solution, examine the gas supply line for leaks.
8. Connect the DC wiring to the refrigerator:
  - Connect the DC wires to the refrigerator.
  - Install the DC fuse or connect the DC wiring to the battery or the converter.
9. Connect the black AC power cord and the white ice maker AC power cord (optional) to the receptacle.

## Replacement Parts

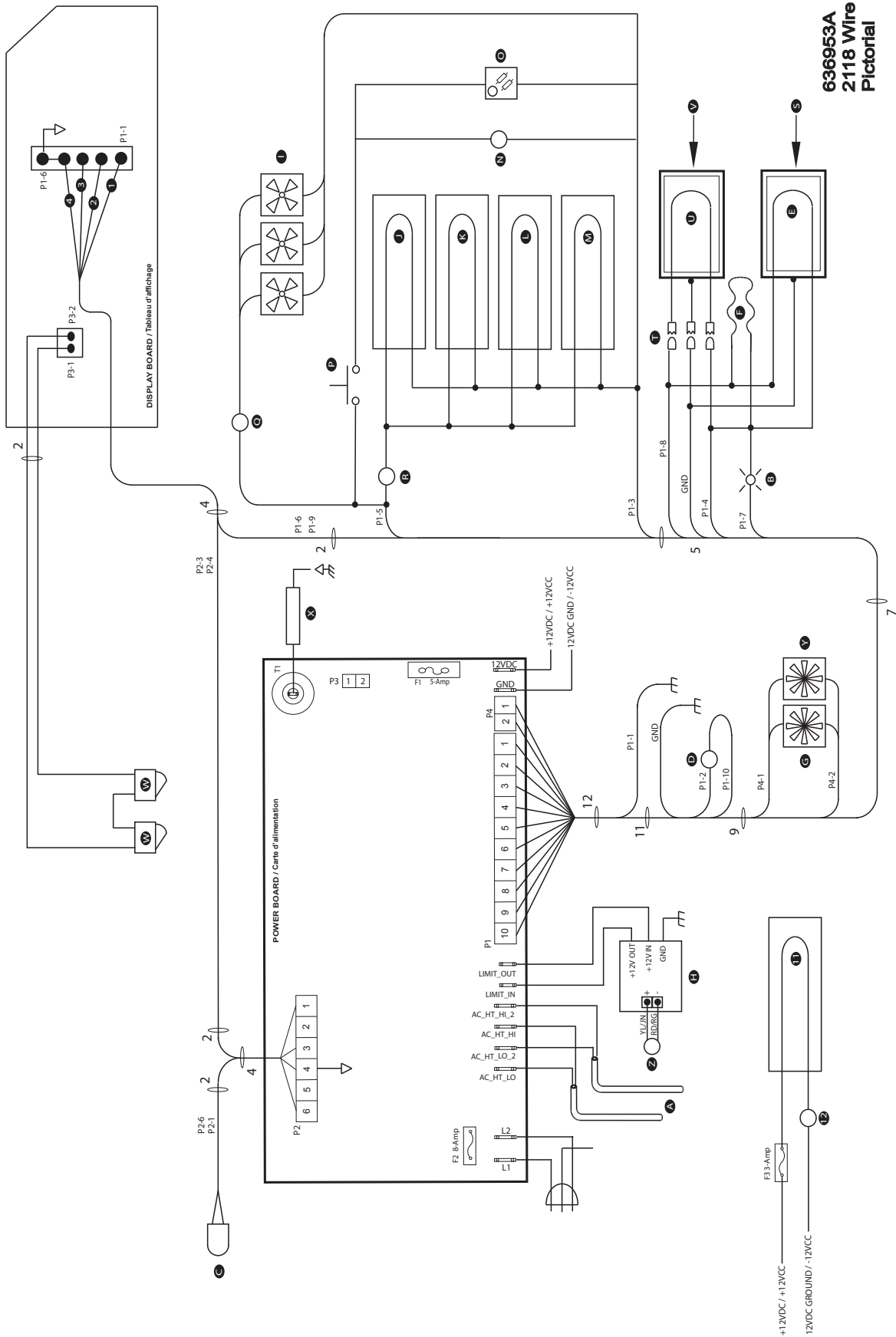
---

You may purchase replacement parts through your local RV dealer or authorized Norcold Service Center.

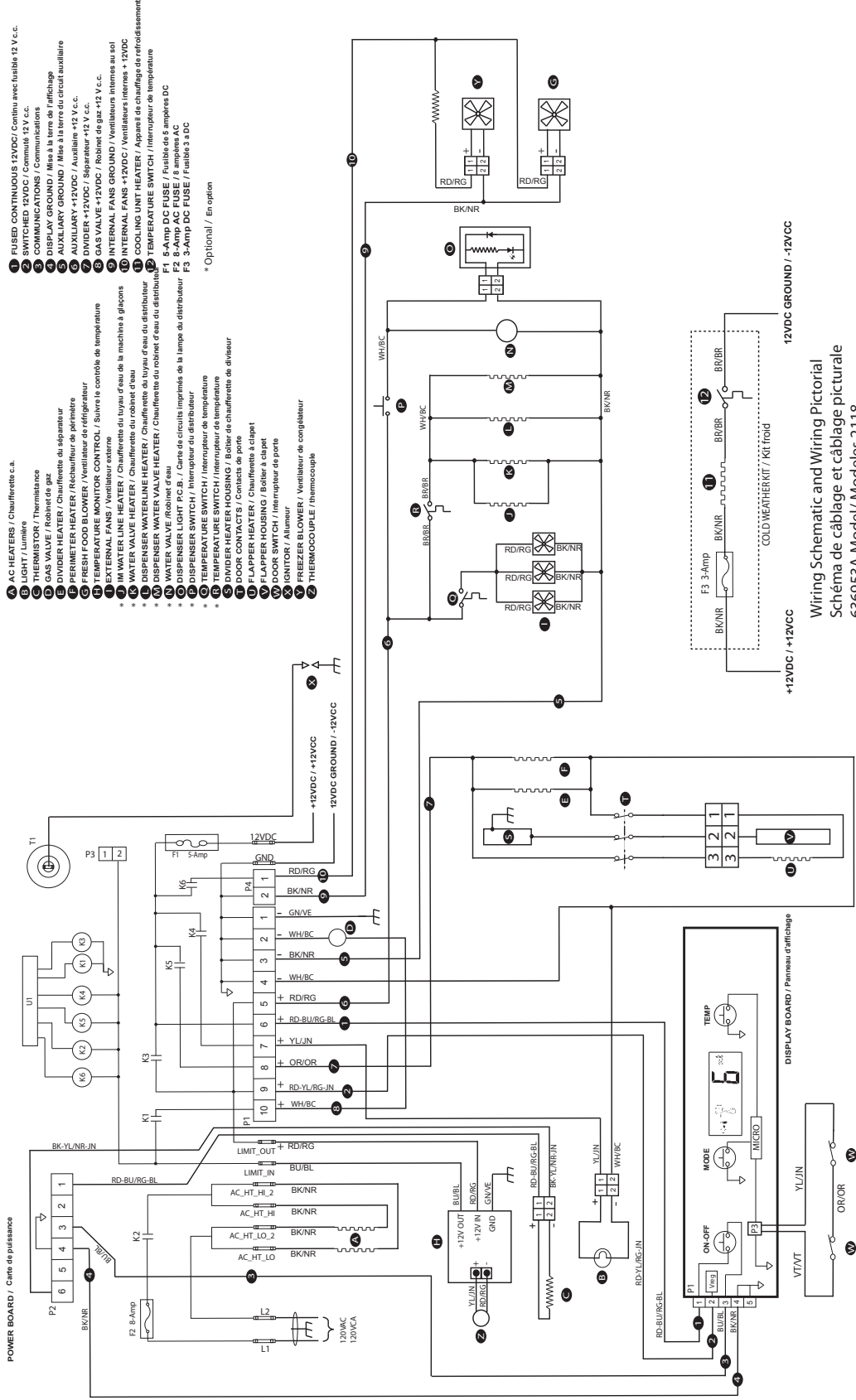
## Fault Codes

Fault Codes	Fault Code Meaning	Corrective Actions
"dr" Audible alarm also.	The door was open for more than 2 minutes.	Close the door.
"no" "FL" Audible alarm also.	The burner did not ignite or re-ignite.	Check: <ul style="list-style-type: none"> <li>- That the valve of the propane gas tank(s) is open.</li> <li>- That the propane gas is at the correct pressure.</li> <li>- That the manual shut off valve of the refrigerator is open.</li> <li>- That there is no air in the propane gas supply line. See "Removing air from the propane gas supply lines" section of the Owner's Manual.</li> <li>- See your dealer or authorized Norcold Service Center.</li> </ul>
"no" "AC" Audible alarm also.	AC voltage is not available to the refrigerator.	Check: <ul style="list-style-type: none"> <li>- That the refrigerator is plugged into a serviceable outlet.</li> <li>- That the fuse or circuit breaker or the vehicle is intact.</li> <li>- That the vehicle generator is operational (if applicable).</li> <li>- See your dealer or authorized Norcold Service Center.</li> </ul>
"dc" "LO"	The DC voltage to the refrigerator is low.	Check: <ul style="list-style-type: none"> <li>- That the battery charging equipment of the vehicle is operational.</li> <li>- That the AC/DC converter is operational (if applicable).</li> <li>- See your dealer or authorized Norcold Service Center.</li> </ul>
"dc" "LO" Audible alarm also.	The DC voltage to the refrigerator is low.	Check: <ul style="list-style-type: none"> <li>- That the battery charging equipment of the vehicle is operational.</li> <li>- That the AC/DC converter is operational (if applicable).</li> <li>- See your dealer or authorized Norcold Service Center.</li> </ul>
"Sr" Audible alarm also.	This is a fault within the refrigerator controls.	Turn the refrigerator power OFF and then back on to reset. If the Fault Code continues, see your dealer or authorized Norcold Service Center.
Temperature setting flashes when TEMP SET or MODE button is pushed.	The refrigerator is operating on the Backup Operating System.	This is not owner serviceable. See your dealer or authorized Norcold Service Center.
"AC" "rE" Audible alarm also.	This is a fault within the refrigerator controls.	This is not owner serviceable. See your dealer or authorized Norcold Service Center.
"AC" "HE" Audible alarm also.	This is problem related to the AC heater.	This is not owner serviceable. See your dealer or authorized Norcold Service Center.
"oP" "LI" Audible alarm also.	A temperature limit switch is open.	This is not owner serviceable. See your dealer or authorized Norcold Service Center.
"FL" "- -" Audible alarm also.	A flame is present at the burner when there should be none.	This is not owner serviceable. See your dealer or authorized Norcold Service Center.

# Wiring Diagram and Pictorial



636953A  
2118 Wire  
Pictorial



- 1 AC HEATERS / Chauffeferette c.a.
- 2 LIGHT / Lumière
- 3 THERMISTOR / Thermistance
- 4 GAS VALVE / Robinet de gaz
- 5 DIVIDER VALVE / Chauffeferette de gaz
- 6 PERIMETER HEATER / Chauffeferette de séparateur
- 7 FRESH FOOD BLOWER / Ventilateur de périmètre
- 8 TEMPERATURE MONITOR CONTROL / Suivre le contrôle de température
- 9 INTERNAL FANS / Ventilateurs internes
- 10 WATER LINE HEATER / Chauffeferette du tuyau d'eau de la machine à glaçons
- 11 WATER LINE HEATER / Chauffeferette du robinet d'eau
- 12 DISPENSER WATER VALVE HEATER / Chauffeferette du robinet d'eau du distributeur
- 13 DISPENSER WATER VALVE HEATER / Chauffeferette du robinet d'eau du distributeur
- 14 WATER VALVE / Robinet d'eau
- 15 TEMPERATURE SWITCH / Interrupteur de température
- 16 DISPENSER LIGHT P.C.B. / Carte de circuits imprimés de la lampe du distributeur
- 17 TEMPERATURE SWITCH / Interrupteur de température
- 18 TEMPERATURE SWITCH / Interrupteur de température
- 19 DOOR HEATER HOUSING / Boîtier de chauffeferette de diviseur
- 20 DOOR CONTACTS / Contacts de porte
- 21 ALARM HOUSING / Boîtier à sonnerie
- 22 DOOR SWITCH / Interrupteur de porte
- 23 IGNITOR / Allumeur
- 24 FREEZER BLOWER / Ventilateur de congélateur
- 25 THERMOCOUPLE / Thermocouple
- 26 FUSED CONTINUOUS 12VDC / Continu avec fusible 12 V.c.c.
- 27 COMMUNICATIONS / Communications
- 28 DISPLAY GROUND / Mise à la terre de l'affichage
- 29 AUXILIARY GROUND / Mise à la terre du circuit auxiliaire
- 30 AUXILIARY +12VDC / Auxiliaire +12 V.c.c.
- 31 DIVIDER +12VDC / Séparateur +12 V.c.c.
- 32 GAS VALVE +12VDC / Robinet de gaz +12 V.c.c.
- 33 INTERNAL FANS GROUND / Ventilateurs internes au sol
- 34 COOLING UNIT HEATER / Appareil de chauffage de refroidissement
- 35 TEMPERATURE SWITCH / Interrupteur de température
- F1 5-Amp DC FUSE / Fusible de 5 ampères DC
- F2 8-Amp AC FUSE / Fusible de 8 ampères AC
- F3 3-Amp DC FUSE / Fusible de 3 ampères DC

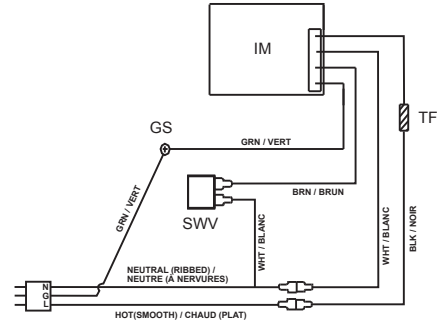
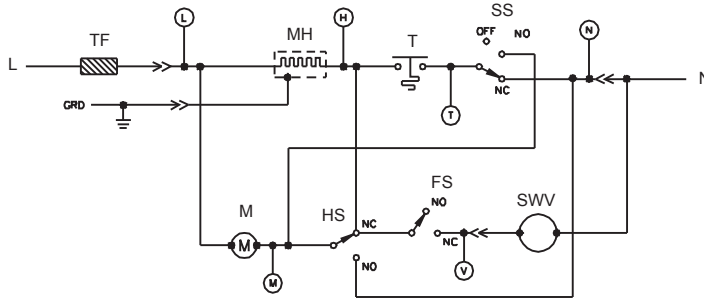
\* Optional / En option

Wiring Schematic and Wiring Pictorial  
Schéma de câblage et câblage picturale  
636953A Model/ Modeles 2118

# Ice Maker Wiring Diagram and Pictorial

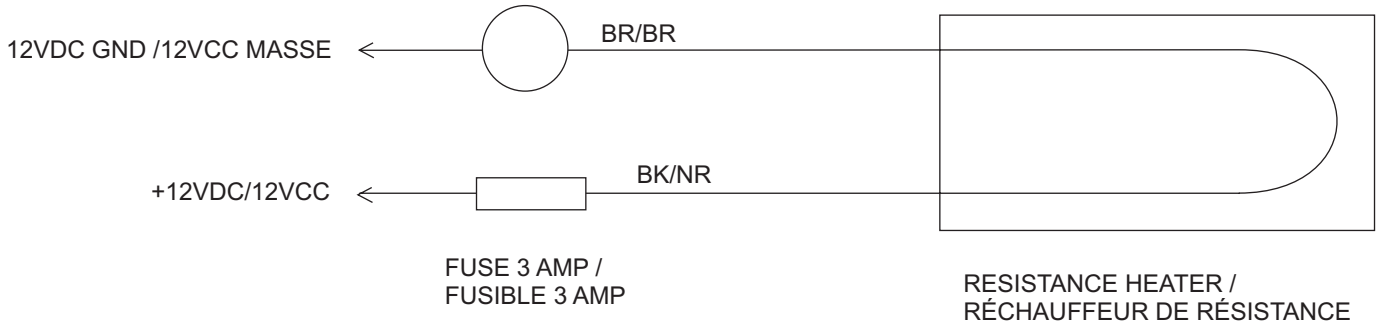
The parts of the ice maker wiring pictorial and diagram are (See Art01858):

- FS..... Fill switch
- GS ..... Ground screw
- HS..... Hold switch
- IM..... Ice maker
- L..... 120V AC Line (hot) / smooth
- M..... Motor
- MH..... Mold heater
- N..... 120 VAC Neutral / ribbed
- SS..... Shut off switch
- SWV ..... Solenoid water valve
- T ..... Thermostat
- TF ..... Thermal fuse

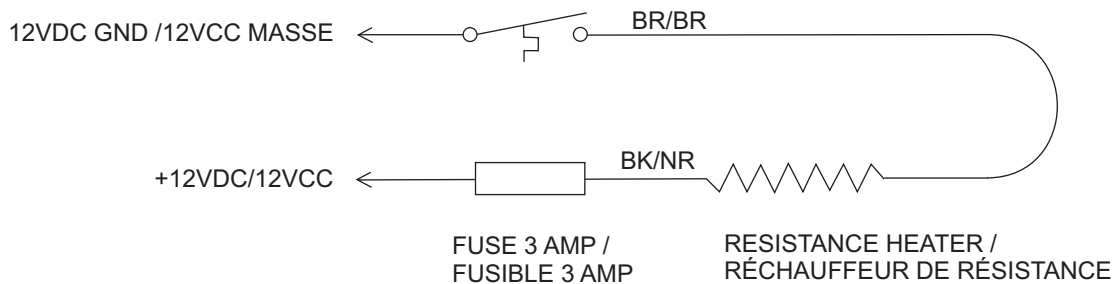


Art01858

## THERMAL SWITCH / CONTACTEUR DE THERMIQUE



## THERMAL SWITCH / CONTACTEUR DE THERMIQUE



Art02312

### NOTICE

This kit supplies DC voltage to the heater any time the ambient temperature is low enough. Extended storage during cold weather will drain the vehicle batteries. To prevent battery drain, remove the 3 amp fuse from the low ambient heater.



## Manuel d'utilisation pour la série 2118X de réfrigérateurs pour les véhicules de loisir

La lettre « X », dans les numéros de modèle ci-dessus, représente lettres ou un chiffres correspondant à une option de réfrigérateur.



### RISQUE D'INCENDIE OU D'EXPLOSION

Si vous sentez une odeur de gaz:

1. Ouvrez les fenêtres.
2. Éteignez toute flamme nue..
3. Ne pas toucher les interrupteurs électriques.
4. Éteignez toute flamme nue..
5. Coupez l'alimentation en combustible.
6. Évacuez immédiatement et appelez les services d'urgence

Ne pas suivre ces instructions peut provoquer un incendie ou une explosion, pouvant causer des dommages matériels, des blessures ou la mort.



Une faute d'installation, de réglage, de modification, de réparation ou d'entretien peut causer des préjudices corporels ou matériels. Se reporter à ce manuel. Pour obtenir de l'assistance ou des informations supplémentaires, s'adresser à un installateur qualifié, au service après-vente ou à la compagnie de gaz.

### SÉCURITÉ PERSONNELLE

Ne pas conserver ni utiliser d'essence ou d'autres liquides inflammables, ou dont les vapeurs peuvent s'enflammer, à proximité de cet appareil ou de tout autre appareil électroménager.

**Français**



## Table des matières

Pour s'informer des conditions de garantie, se reporter à la page de l'énoncé de garantie qui se trouve dans la documentation relative au produit.

Signalisation de la sécurité.....	2
Consignes relatives à la sécurité.....	3
Le réfrigérateur.....	3
Volume d'entreposage.....	3
Mise à niveau.....	3
Fonctionnement en cours de déplacement.....	4
Compartiment pour les aliments.....	4
Compartiment congélateur.....	4
Poignées de porte.....	4
Joint de porte mobile.....	4
Bacs à légumes et bac à boissons.....	4
Bacs des portes.....	6
Alarme de porte.....	6
Éclairage intérieur.....	6
Système de réduction de l'humidité.....	7
Système de régulation de la température.....	7
Système de secours.....	7
Dispositif de surveillance de l'interrupteur de température.....	7
Utilisation des commandes du réfrigérateur.....	8
Panneau de commande.....	8
Fonctionnement en mode automatique.....	10
Purge d'air des tuyaux d'arrivée de gaz propane.....	10
Réglage des commandes pour le fonctionnement en mode manuel.....	11
<b>Mise à l'arrêt.....</b>	<b>11</b>
Effets de l'altitude élevée sur le fonctionnement au gaz propane.....	11
Effets des températures de congélation sur le fonctionnement du réfrigérateur.....	11
Machine à glaçons.....	12
Fonctionnement de la machine à glaçons.....	12
Liste de contrôle de l'état du réfrigérateur.....	13
Dégivrage.....	13
Nettoyage.....	14
Intérieur.....	14
Portes métalliques.....	14
Fermeture étanche de la porte.....	15
Entreposage du réfrigérateur.....	15
Entreposage de la machine à glaçons.....	15
Liste de contrôle de l'entretien du réfrigérateur.....	16
Entretien du réfrigérateur.....	17
Apparition de flamme de gaz.....	17
Retrait et nettoyage de la buse du brûleur.....	17
Retrait du réfrigérateur.....	18
Réinstallation du réfrigérateur.....	19
Pièces de rechange.....	19
Codes d'anomalie.....	20
Graphique et schéma de câblage.....	21
Schéma de câblage de la machine à glaçons.....	23
Schéma de câblage et schéma électrique - chauffage à basse température ambiante (option).....	23

## Signalisation de la sécurité

Lire soigneusement ce manuel et en assimiler le contenu avant d'utiliser le réfrigérateur.

Prendre conscience des risques pour la sécurité signalés par le symbole de mise en garde sur le réfrigérateur et dans ce manuel. Le symbole de mise en garde est suivi d'un terme précisant la nature du risque en question. Lire soigneusement la description de ces termes de signalement pour apprendre à les différencier. C'est une question de sécurité personnelle.



**Ce terme de signalement indique un danger qui, s'il n'est pas pris en compte, peut causer une blessure grave, la mort ou d'importants dégâts matériels.**



**Ce terme de signalement indique un danger qui, s'il n'est pas pris en compte, peut causer une blessure légère ou d'importants dégâts matériels.**

## Consignes relatives à la sécurité

---

### AVERTISSEMENT

- Le rangement de produits inflammables derrière le réfrigérateur ou autour de celui-ci pose un danger d'incendie. Ne pas utiliser l'espace derrière le réfrigérateur pour ranger quoi que ce soit, en particulier les matériaux inflammables (essence, produits de nettoyage, etc.)
- Ne pas retirer le contact de terre rond du cordon d'alimentation c.a. du réfrigérateur ou de la machine à glaçons (en option). Ne pas utiliser un adaptateur à deux lames ou une rallonge sur l'un des cordons d'alimentation c.a.
- Si les fils et (ou) fusibles ne sont pas de la taille correcte, l'installation électrique peut prendre feu sous l'effet de la surcharge du circuit. Utiliser uniquement les fils et fusibles de la taille indiquée dans le « Manuel d'installation ».
- Une faute d'installation, de réglage, de modification ou d'entretien de ce réfrigérateur peut causer des préjudices corporels et (ou) matériels. En confier la réparation et l'entretien au concessionnaire ou à un centre de service après-vente agréé Norcold.
- Débrancher les sources d'alimentation en c.a. et c.c. avant d'intervenir sur le réfrigérateur. Toute opération d'entretien ou de réparation sur ce réfrigérateur doit être effectuée par un technicien qualifié.
- Ne pas contourner ou modifier les composants ou fonctions électriques du réfrigérateur.
- Lors de la mise au rebut d'un appareil électroménager, enlever toutes les portes pour éviter que quelqu'un ne s'enferme dedans et ne suffoque.
- Ne pas vaporiser de liquides près des prises électriques, des raccords ou des pièces du réfrigérateur. Nombre de liquides sont conducteurs et peuvent poser des risques de décharge électrique, de court-circuit, voire même d'incendie.
- Le système frigorifique du réfrigérateur est sous pression. Ne pas essayer de réparer ou recharger un système frigorifique défectueux. Le système frigorifique contient du chromate de sodium. L'inhalation de certains composés du chrome peut causer le cancer. Le système frigorifique contient des produits chimiques qui peuvent causer de graves brûlures à la peau et aux yeux, s'enflammer et brûler avec une flamme intense. Ne pas recourber, faire tomber, souder, déplacer, percer, perforer ou heurter le système frigorifique.
- S'assurer régulièrement de l'absence totale de matériaux inflammables et d'obstruction aux conduits de fumée, brûleur, bouches de ventilation et passages d'air de ventilation du réfrigérateur. Après un certain temps d'entreposage, il est particulièrement important de vérifier ces endroits pour repérer tout matériau inflammable ou toute obstruction causée par des animaux.

### ATTENTION

- L'arrière du réfrigérateur présente des arêtes vives et des angles coupants. Pour éviter de se couper ou de s'écorcher lors du travail sur le réfrigérateur, faire attention et porter des gants résistant aux coupures.

## Le réfrigérateur

---

### Volume d'entreposage :

Ce réfrigérateur est conçu pour l'entreposage d'aliments frais et congelés, ainsi que la fabrication de glaçons.

Capacité totale	18.0 pieds cubes
Compartiment congélateur	5,8 pieds cubes
Compartiment de denrées fraîches	12.2 pieds cubes

### Mise à niveau :

### ATTENTION

Le réfrigérateur est conçu pour fonctionner avec une tolérance d'inclinaison de 3° dans l'axe latéral et de 6° dans l'axe longitudinal (vu de l'avant du réfrigérateur). S'il est plus incliné que cela durant son fonctionnement, cela pose des risques de préjudices corporels ou matériels, notamment au système frigorifique. S'assurer que le véhicule est de niveau avant de mettre le réfrigérateur en route.

## Fonctionnement en cours de déplacement :

Alors que le réfrigérateur doit être à niveau quand le véhicule est arrêté, sa performance en cours de déplacement n'est généralement pas affectée.

## Compartment pour les aliments :

### Compartment de conservation des denrées fraîches :

Mettre en route le réfrigérateur (se reporter à « Commandes du réfrigérateur ») et le laisser refroidir pendant huit heures avant d'entreposer des aliments. Si l'appareil ne produit pas de refroidissement après environ deux heures, entrer en rapport avec le concessionnaire ou un Centre d'entretien autorisé Norcold.

Pour obtenir le meilleur refroidissement possible :

- Assurer une bonne circulation de l'air dans tout le compartiment de conservation.
- Ne pas recouvrir les clayettes de plastique, papier, etc.

Pour diminuer la quantité de givre qui se forme sur les ailettes de refroidissement :

- Recouvrir tous les récipients contenant des liquides et des denrées humides.
- Laisser refroidir les aliments chauds avant de les mettre au réfrigérateur.
- Ne pas laisser la porte ouverte plus longtemps que nécessaire.

### Compartment congélateur :

Le compartiment congélateur est fait pour le maintien à l'état congelé des aliments pré-congelés mais pas pour la surgélation d'aliments.

### Poignées de porte :

Pendant le voyage, le loquet empêche l'ouverture de la porte. Lors de la fermeture de chaque porte, la pousser vers le réfrigérateur jusqu'à ce qu'un déclic se fasse entendre.

Pour ouvrir chaque porte, tirer sur la poignée du réfrigérateur (voir Art02494).

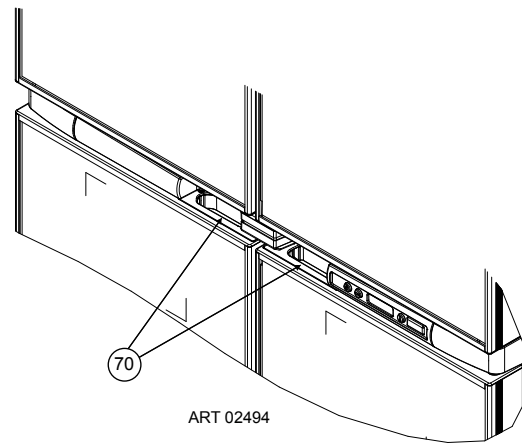
### Joint de porte mobile :

Le joint de porte mobile [134] est situé sur la porte gauche du compartiment de denrées fraîches (voir Art0813). Il assure l'étanchéité voulue lorsque les deux portes du compartiment de denrées fraîches sont fermées. Quand la porte gauche du compartiment de denrées fraîches s'ouvre, le joint de porte mobile se met à plat contre le bord de la porte. Pour éviter tout risque d'abîmer le joint de porte mobile, s'assurer qu'il est bien à plat contre le bord de la porte avant de fermer celle-ci.

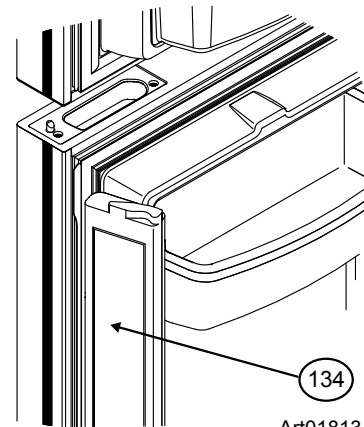
### Bacs à légumes et bac à boissons :

Les bacs à légumes se trouvent au bas du compartiment de denrées fraîches et fournissent une surface d'entreposage pour conserver la fraîcheur des fruits et des légumes. Vérifier que les bacs à légumes sont toujours enfoncés à fond. Les couvercles des bacs à légumes s'ouvrent lors de l'ouverture des bacs et se ferment lors de la fermeture des bacs.

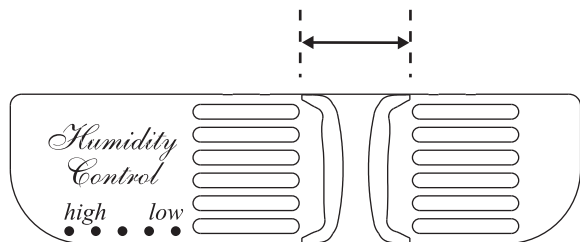
Chaque bac à légumes a aussi une bouche de ventilation réglable permettant de réguler son humidité interne. Déplacer chaque bouche de ventilation vers la droite (humidité élevée) pour la plupart des légumes ou vers la gauche (humidité faible) pour la plupart des fruits (voir Art0834).



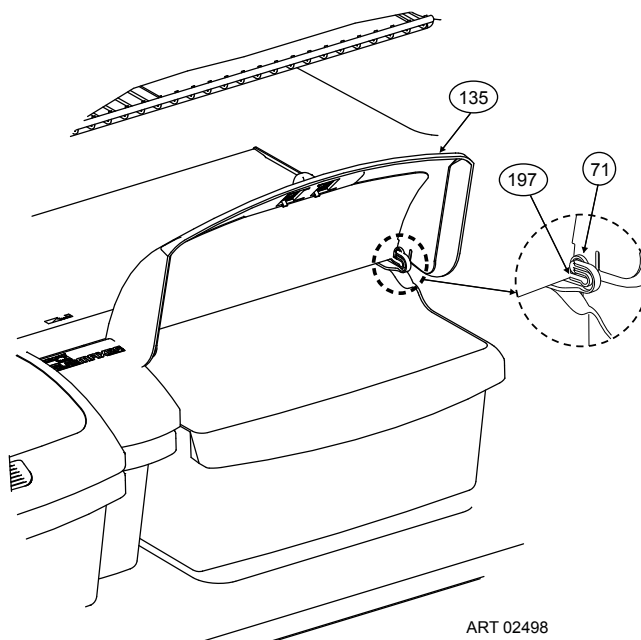
ART 02494



Art01813



Art01834



ART 02498

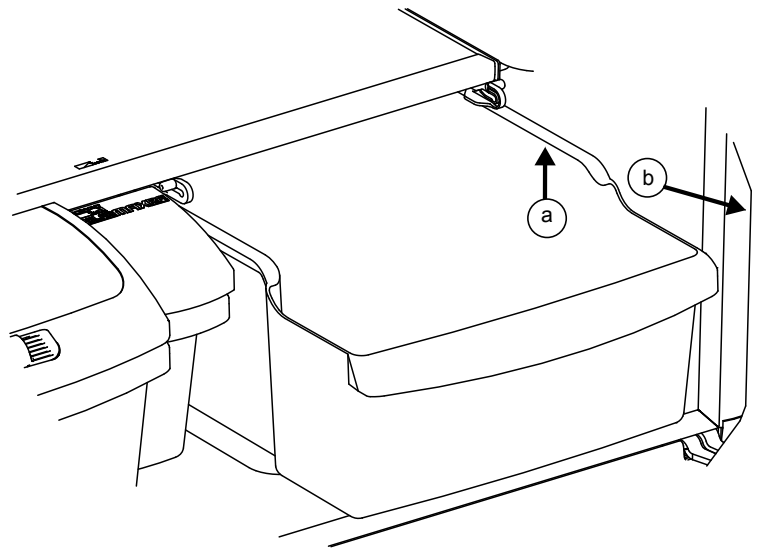
Les bacs à légumes et leurs couvercles et le bac à boissons et son couvercle sont amovibles pour permettre leur nettoyage.

**AVIS**

*Ne pas mettre les bacs à légumes ou leurs couvercles, ni le bac à boissons ou son couvercle au lave-vaisselle. Ils ne sont pas prévus à cet effet.*

Retrait des couvercles des bacs à légumes (voir Art02498) :

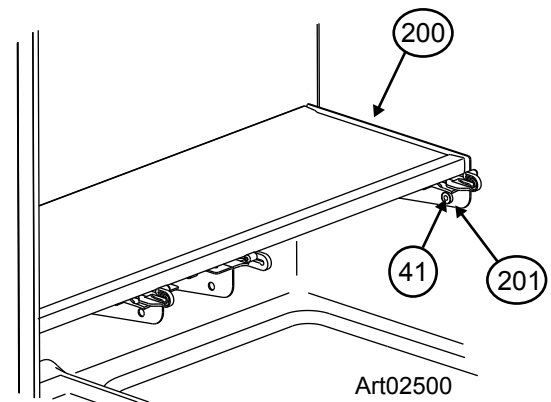
- Le bac à légumes étant fermé, soulever son couvercle [135] à fond.
- Repérer les axes de charnière [71] faisant partie des rails du couvercle du bac à légumes [197].
- Pousser l'avant d'un des rails du couvercle du bac à légumes vers l'intérieur en direction du bac de sorte à pouvoir soulever ce côté du couvercle pour le dégager de l'axe de charnière.
- Faire glisser le côté opposé du couvercle du bac à légumes pour le dégager de l'autre axe de charnière.
- Pour remettre en place les couvercles des bacs à légumes, effectuer cette procédure dans l'ordre inverse.



ART 02499

Retrait des bacs à légumes (voir Art02499) :

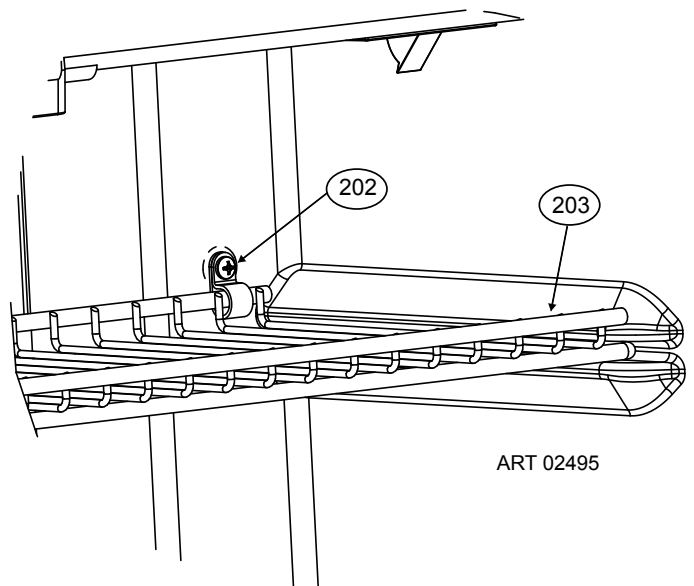
- Tirer chaque bac à légumes vers l'avant jusqu'à la butée.
- Soulever l'avant du bac à légumes [a] et continuer de tirer le bac vers l'extérieur [b].
- Pour remettre en place les bacs à légumes, effectuer cette procédure dans l'ordre inverse.



Art02500

Retrait de l'étagère inférieure (voir Art02500) :

- Enlever les bacs à légumes et leurs couvercles et le bac à boissons et son couvercle.
- Retirer et conserver les vis et les pièces d'espacement en plastique [201].
- En utilisant les deux mains, faites glisser le plateau sur les rails.
- Pour remettre en place l'étagère inférieure, effectuer cette procédure dans l'ordre inverse.



ART 02495

Retrait de l'étagère supérieure (voir Art02495) :

- Repérez les vis qui fixent les clips en plastique [202] (les clips de l'étagère du haut sont situés à la fin de chaque étagère et l'étagère inférieure clips sont situés dans le centre du plateau).
- Retirer et conserver les vis et les agrafes en plastique.
- Tirer l'étagère supérieure vers l'avant [203] pour l'enlever.
- Pour remettre en place l'étagère supérieure, effectuer cette procédure dans l'ordre inverse.

## Bacs des portes :

Il est possible de mettre les petits bacs de porte [52] du congélateur et du compartiment de denrées fraîches dans un endroit qui correspond le mieux aux besoins. Il **fa**ut mettre les grands bacs de porte dans les positions les plus basses, sinon ils toucheront les clayettes et les portes ne fermeront pas (voir Art1815).

Pour sortir les bacs, les soulever au-dessus du localisateur et les tirer vers l'avant. Pour installer les bacs, les pousser sur le localisateur.



*Ne pas laver les bacs de porte dans un lave-vaisselle. Ils ne sont pas prévus à cet effet.*

## Alarme de porte :

Le réfrigérateur possède une alarme permettant de signaler que la porte du compartiment de denrées fraîches n'est pas fermée. Le réfrigérateur continue à fonctionner, mais si la porte du compartiment de denrées fraîches est ouverte et la lumière intérieure reste allumée pendant deux minutes :

- Une alarme sonore retentit.
- « dr » s'affiche sur l'écran central.
- La lumière intérieure s'éteint automatiquement.

Fermer la porte pour faire taire l'alarme.

## Éclairage intérieur :

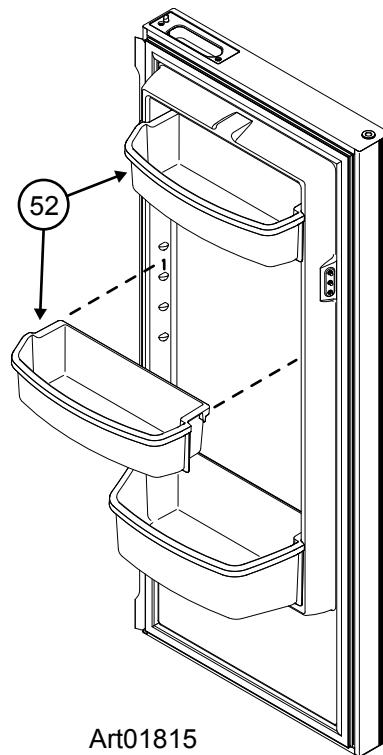
La lumière intérieure se trouve en haut du compartiment de denrées fraîches. L'éclairage intérieur s'allume lorsque le réfrigérateur est ALLUMÉ (ON) et que la porte est ouverte. Pour remplacer l'ampoule :

1. Retirer les fils d'alimentation c.c. de la carte d'alimentation située à l'arrière du réfrigérateur.
2. Retirer le couvercle [57] en le tirant vers l'avant du réfrigérateur (voir Art00988).
3. Retirer l'ampoule [58] du support [59].

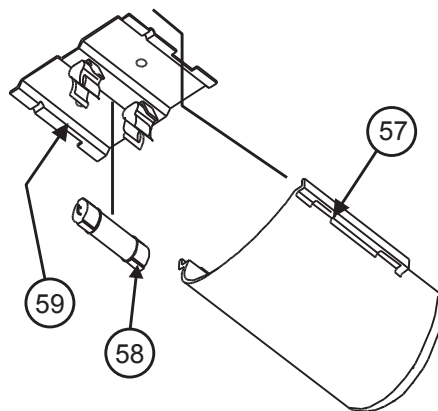


*Utiliser uniquement une ampoule GE n° 214-2 comme ampoule de rechange. Cette ampoule est disponible dans la plupart des centres d'accessoires pour automobiles.*

4. Installer l'ampoule de rechange.
5. Poser le couvercle.
6. Brancher les fils d'alimentation c.c. sur la carte d'alimentation située à l'arrière du réfrigérateur.



Art01815



Art00988

### **Systeme de réduction de l'humidité :**

Le réfrigérateur est équipé d'un système de chauffage qui empêche la formation d'humidité sur la paroi centrale entre les deux portes des compartiments basse température et sur le joint de porte mobile. Ce système de chauffage ne fonctionne que lorsque le réfrigérateur est en route et que l'alimentation en courant continu est suffisante.

### **Systeme de régulation de la température :**

Le réfrigérateur, bien qu'il ne soit pas du type sans givre, a été conçu pour limiter l'accumulation de givre sur les ailettes de refroidissement. Le système de régulation de la température fait fondre automatiquement à intervalles réguliers la plus grosse partie du givre accumulé sur les ailettes de refroidissement. L'eau ainsi formée s'écoule dans un bac de récupération fixé à l'arrière du réfrigérateur. La chaleur dégagée par le système de refroidissement évapore l'eau du bac de récupération.

### **Systeme de secours :**

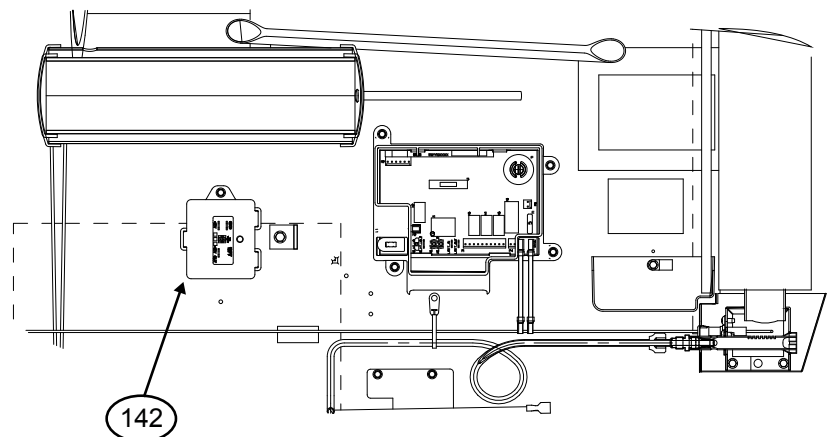
Ce réfrigérateur est équipé d'un système de secours. Ce système permet d'assurer le refroidissement en cas de défaillance de la sonde de température de l'appareil.

En cas de défaillance de la sonde de température :

- Le réfrigérateur sélectionne automatiquement le système de secours.
  - Lorsqu'on enfonce le bouton TEMP SET, la sélection de température affichée clignote pendant dix secondes.
- Le système de secours peut congeler ou décongeler les denrées se trouvant dans le compartiment basse température et le compartiment de conservation des denrées fraîches.
  - S'assurer que la température dans les compartiments basse température et de conservation des denrées fraîches est satisfaisante.

### **Dispositif de surveillance de l'interrupteur de température :**

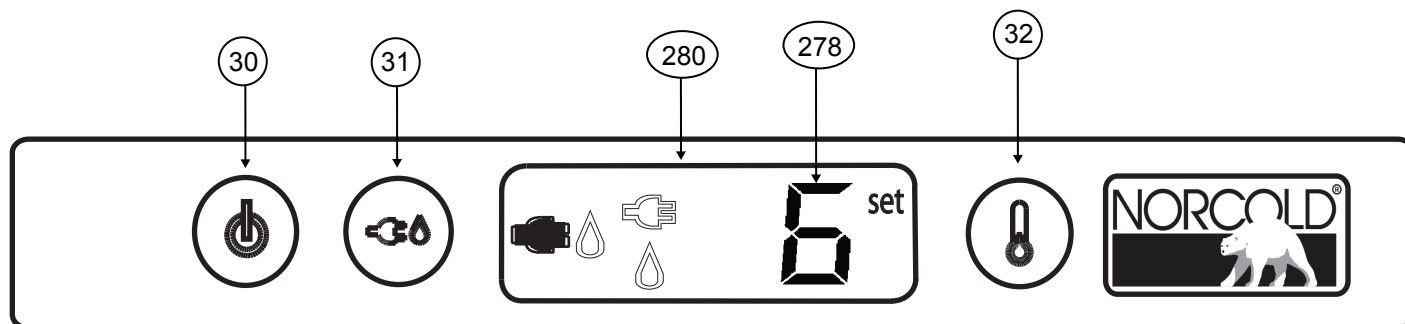
Le réfrigérateur est muni d'un interrupteur de température [142] pour la protection contre la surchauffe (voir Art02496). Un technicien d'entretien agréé Norcold peut déterminer si cet interrupteur s'est déclenché.



ART 02496

## Utilisation des commandes du réfrigérateur

---



ART 02492

### Panneau de commande :

Le panneau de commande du réfrigérateur (se reporter à Art02492) se trouve entre le compartiment basse température et le compartiment de conservation des denrées fraîches. Les commandes fonctionnent sur courant continu 12 volts. L'alimentation 12 Vc.c. provient du véhicule, c'est à dire d'une batterie auxiliaire, d'un convertisseur ou de la batterie du moteur du véhicule.

Le bouton MARCHE/ARRÊT DE L'ALIMENTATION [30] allume et éteint le réfrigérateur :

- Appuyer sur le bouton MARCHE/ARRÊT DE L'ALIMENTATION [30] et le relâcher pour mettre le réfrigérateur en marche.
- Appuyer sur le bouton MARCHE/ARRÊT DE L'ALIMENTATION [30] et le maintenir enfoncé pendant une seconde pour arrêter le réfrigérateur.

Le bouton MODE [31] change les modes de fonctionnement du réfrigérateur.

- Appuyer sur le bouton MODE [31] et le maintenir enfoncé pour faire défiler l'un après l'autre les modes de fonctionnement disponibles du réfrigérateur (voir Art02492).
- Lorsque l'indicateur de mode désiré s'allume, relâcher le bouton MODE.

- Sinon, appuyer sur le bouton MODE et le relâcher de manière répétée pour changer un par un les modes de fonctionnement disponibles du réfrigérateur.

- À mesure que le mode est changé, l'indicateur de mode concerné s'allume.

- Sur les modèles à double alimentation, les indicateurs de mode sont les suivants (voir Art02493) :

- Mode Auto courant électrique c.a. [281].

- Mode Auto gaz [282].

- Mode Manuel courant électrique c.a. [283].

- Mode Manuel gaz [284].

- Sur les modèles à triple alimentation, les indicateurs de mode sont les suivants (voir Art02493) :

- Mode Auto courant électrique c.a. [281].

- Mode Auto gaz [282].

- Mode Auto courant électrique c.c. [285].

- Mode Manuel courant électrique c.a. [283].

- Mode Manuel gaz [284].

- Mode Manuel courant électrique c.c. [286].

- Sélectionner l'un des trois (3) modes de fonctionnement (quatre (4) modes de fonctionnement sur les modèles à triple alimentation uniquement) :

Mode AUTO	Les commandes électroniques du réfrigérateur sélectionnent automatiquement la source d'énergie la plus efficace disponible. L'un des indicateurs de mode Auto c.a. [281], Auto gaz [282] ou s'allume.
Mode MANUEL c.a.	Le réfrigérateur refroidit en utilisant seulement le courant électrique c.a. comme source d'alimentation. L'indicateur de mode Manuel c.a. [283] s'allume.
Mode MANUEL GAZ	Le réfrigérateur refroidit en utilisant seulement le gaz propane comme source d'alimentation. L'indicateur de mode Manuel gaz [284] s'allume.

3. Sélectionner le réglage de température :

- Appuyer sur le bouton RÉGLAGE TEMPÉRATURE [32] et le maintenir enfoncé pour faire défiler l'un après l'autre les réglages de température (voir Art02492).

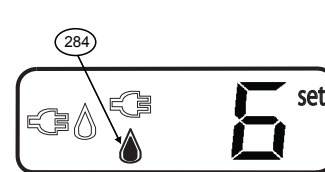
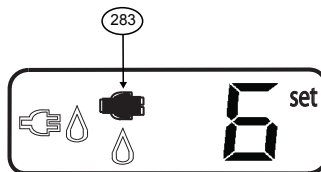
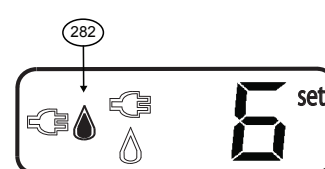
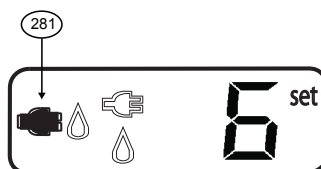
- Sinon, appuyer sur le bouton RÉGLAGE TEMPÉRATURE et le relâcher de manière répétée pour changer un par un les réglages de température.

- Les réglages de température s'inscrivent sous forme de chiffres sur l'écran à cristaux liquides.

- Sélectionner l'un des neuf (9) réglages de température :

- Le chiffre un (1) correspond à la température la plus élevée.

- Le chiffre neuf (9) correspond à la température la plus basse.



ART 02493



## Fonctionnement en mode automatique :

En mode AUTO, les commandes électroniques du réfrigérateur sélectionnent et utilisent automatiquement la source d'énergie la plus efficace disponible.

Si une source d'énergie plus efficace devient disponible en cours de fonctionnement, les commandes électroniques du réfrigérateur la sélectionnent automatiquement :

- Le premier choix est un fonctionnement en mode courant électrique c.a.
  - Si le courant électrique c.a. n'est pas disponible pour le réfrigérateur, s'il se situe en dehors de la plage de fonctionnement permise ou si la chauffeuse c.a. ne fonctionne pas, les commandes électroniques du réfrigérateur passent automatiquement au deuxième choix de fonctionnement.
- Le deuxième choix est un fonctionnement en mode gaz.
  - Le réfrigérateur tente de faire fonctionner le brûleur à gaz propane. S'il est incapable d'allumer et de maintenir une flamme, un code d'anomalie « no » « FL » s'affiche sur l'écran à cristaux liquides. Consulter la section « Codes d'anomalie » dans ce manuel.
  - Sur les modèles à triple alimentation uniquement, les commandes électroniques du réfrigérateur passent automatiquement au troisième choix de fonctionnement.
    - Le troisième choix est un fonctionnement en mode courant électrique c.c.
      - Si la chauffeuse c.c. ne fonctionne pas, un code d'anomalie « dc » « HE » s'affiche sur l'écran à cristaux liquides. Consulter la section « Codes d'anomalie » dans ce manuel.

## Purge d'air des tuyaux d'arrivée de gaz propane :

Pour des raisons de sécurité, le brûleur est fait pour s'allumer au contact du gaz propane dans un délai donné. La première fois que le réfrigérateur est mis en marche, après son entreposage ou après le changement de la bouteille de gaz propane, il est possible qu'il reste de l'air dans les tuyaux d'arrivée de gaz propane. Dans ce cas, le réfrigérateur risque d'avoir du mal à s'allumer au gaz propane dans le délai imparti.

Pour purger l'air des tuyaux d'arrivée de gaz propane :

- Vérifier que tous les robinets de gaz sont ouverts.
- Appuyer sur le bouton MARCHE/ARRÊT DE L'ALIMENTATION [30] et le relâcher pour mettre le réfrigérateur en marche.
- Appuyer sur le bouton MODE [31] et le maintenir enfoncé jusqu'à ce que l'indicateur de mode Manuel gaz [284] soit allumé.
- Appuyer sur le bouton RÉGLAGE TEMPÉRATURE et le relâcher jusqu'à ce que le réglage de température désiré s'affiche.
- Le réfrigérateur entame un essai d'allumage de 30 secondes.
  - Durant cet essai de 30 secondes, les commandes du réfrigérateur ouvrent la valve de sécurité et l'allumeur produit une étincelle.
  - Au bout de 30 secondes, si l'indicateur de mode Manuel gaz reste allumé, cela signifie que le réfrigérateur fonctionne au gaz propane.
  - Tout l'air est désormais purgé des tuyaux d'arrivée de gaz propane et, si désiré, le mode de fonctionnement AUTO peut être sélectionné.
- Si le gaz ne s'allume pas dans les 30 secondes, le robinet de gaz du réfrigérateur se ferme automatiquement et un code d'anomalie « no » « FL » s'affiche sur l'écran à cristaux liquides. Pour réinitialiser les commandes, appuyer sur le bouton MARCHE/ARRÊT DE L'ALIMENTATION et le maintenir enfoncé pendant 1 seconde pour éteindre le réfrigérateur, puis appuyer de nouveau dessus pour redémarrer le réfrigérateur et entamer un autre essai d'allumage de 30 secondes.
  - Selon la quantité d'air restant dans les tuyaux d'arrivée de gaz propane, il peut s'avérer nécessaire de répéter à deux ou trois reprises l'essai d'allumage de 30 secondes.
  - Si le brûleur ne s'allume pas au gaz propane au bout de deux ou trois tentatives, s'arrêter et contacter le concessionnaire ou un centre de service après-vente agréé Norcold.

## Réglage des commandes pour le fonctionnement en mode manuel :

- Appuyer sur le bouton MARCHE/ARRÊT DE L'ALIMENTATION [30] et le relâcher pour mettre le réfrigérateur en marche. (See Art02493)
- Appuyer sur le bouton MODE [31] et le maintenir enfoncé jusqu'à ce que l'indicateur de mode Manuel désiré s'allume.
  - Mode Manuel courant électrique c.a. [283].
  - Mode Manuel gaz [284].

En cas d'interruption de la source d'énergie :

- Un code d'anomalie apparaît sur l'écran à cristaux liquides.
- Consulter la section « Codes d'anomalie » dans ce manuel.

## Mise à l'arrêt :

- Appuyer sur le bouton MARCHE/ARRÊT DE L'ALIMENTATION [30] et le maintenir enfoncé pendant une seconde pour arrêter le réfrigérateur.

## Effets de l'altitude élevée sur le fonctionnement au gaz propane

---

Lorsque le réfrigérateur fonctionne au gaz propane à des altitudes de plus de 5500 pieds au-dessus du niveau de la mer :

- Le réfrigérateur risque de ne pas donner d'aussi bons résultats.
- Le brûleur risque de s'éteindre spontanément.

Pour éviter ce type de problème, Norcold recommande de faire fonctionner le réfrigérateur sur courant alternatif lorsque l'on se trouve à des altitudes de plus de 5500 pieds au-dessus du niveau de la mer.

## Effets des températures de congélation sur le fonctionnement du réfrigérateur

---

Les réfrigérateurs à absorption de gaz ne sont pas conçus pour fonctionner à des températures de congélation. Si le réfrigérateur n'est pas équipé pour fonctionner à basse température et que son système frigorifique est exposé à des températures inférieures ou égales à 32 °F pendant une période prolongée, son fonctionnement risque d'être perturbé. Son fonctionnement reprendra alors une fois son système frigorifique suffisamment réchauffé.

Le réfrigérateur est équipé pour fonctionner à basse température. Le réfrigérateur fonctionne à des températures jusqu'à 0 ° C avec le kit de temps froid prévu si connecté.

Les perturbations du fonctionnement du réfrigérateur dues à une exposition prolongée à des températures inférieures ou égales à 32 °F et les coûts subis pour réchauffer le système frigorifique du réfrigérateur ne sont pas couverts par la garantie limitée Norcold. Veuillez vous adresser à votre concessionnaire local de véhicules de loisirs pour obtenir les renseignements nécessaires sur la reprise du fonctionnement du réfrigérateur ou sur la façon d'équiper votre réfrigérateur en vue de son fonctionnement à des températures de congélation. Ne pas modifier l'installation ni la ventilation du réfrigérateur. Les pannes de réfrigérateur dues à des modifications apportées à l'installation ou à la ventilation du réfrigérateur ne sont pas couvertes par la garantie limitée de Norcold.



*Ce kit alimente le chauffage en tension c.c. chaque fois que la température ambiante est suffisamment basse. Un entreposage prolongé par temps froid décharge les batteries du véhicule. Pour éviter la décharge des batteries, débrancher le fusible 3 A du chauffage à basse température ambiante.*

## Machine à glaçons

La machine à glaçons est totalement automatique et fonctionne à des températures ambiantes aussi basses que 0 °F. Pour permettre un fonctionnement à des températures situées entre 0 et 32 °F, la machine à glaçons possède une chauffelette sur l'électrovanne d'eau et sur le tuyau d'eau entre l'électrovanne d'eau et la machine à glaçons. Aux températures inférieures à 0 °F, entreposer la machine à glaçons comme indiqué dans la section « Entreposage de la machine à glaçons » de ce manuel.



**La chauffelette du tuyau d'eau ne protège pas le tuyau d'arrivée d'eau allant du robinet d'arrêt d'eau du véhicule à l'électrovanne d'eau situé à l'arrière du réfrigérateur.**

Lorsque la température du congélateur du réfrigérateur est suffisamment basse, la machine à glaçons ouvre l'électrovanne d'eau et remplit le moule. La machine à glaçons éjecte les glaçons dans le bac d'entreposage. Au fur et à mesure que ce bac se remplit, les glaçons élèvent le bras d'arrêt jusqu'à ce qu'il arrête la machine à glaçons. Au fur et à mesure que les glaçons sont utilisés et que le niveau de glaçons baisse dans le bac d'entreposage, le bras d'arrêt s'abaisse également. Ceci met en marche la machine à glaçons et commence le processus de fabrication de glaçons.

Fonctionnement de la machine à glaçons :

- Eau froide potable à une pression de 15 psi à 125 psi.
- 120 volts c.a. (108 V c.a. min. - 132 V c.a. max.).

### Fonctionnement de la machine à glaçons :

1. Veiller à ce que le cordon d'alimentation c.a. de la machine à glaçons soit branché sur une prise de courant.
2. Ouvrir le robinet d'arrêt d'eau du véhicule.



*S'assurer que le bras de la machine à glaçons peut se déplacer librement et ne touche pas les aliments congelés dans le congélateur.*

3. Pousser le bras de la machine à glaçons vers le bas en position ON (Marche) [60] (voir Art01015).



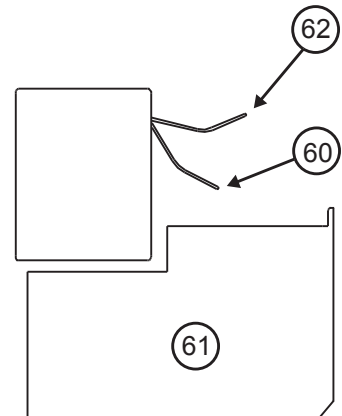
**En cas d'utilisation du réfrigérateur sans raccordement du tuyau d'arrivée d'eau et (ou) ouverture du robinet d'arrêt d'eau du véhicule, s'assurer que le bras de la machine à glaçons est levé en position OFF (Arrêt).**

4. Laisser le congélateur refroidir suffisamment et la production de glaçons commencera à remplir le bac d'entreposage [61].



*De nouveaux raccords de plomberie et/ou des impuretés dans le tuyau d'arrivée d'eau après l'hivernisation peut faire en sorte que les premiers glaçons soient décolorés ou aient un goût altéré.*

5. Pour arrêter la machine à glaçons, pousser son bras vers le haut en position OFF (Arrêt) [62].



Art01015

## Liste de contrôle de l'état du réfrigérateur

---

Il suffit d'effectuer les simples vérifications suivantes tous les trois à six mois pour obtenir de longues années de bons et loyaux services de la part du réfrigérateur :

- Veiller à la propreté du compartiment pour les aliments et du congélateur. Voir « Nettoyage ».
- S'assurer de l'étanchéité de la fermeture de la porte. Voir « Fermeture étanche de la porte ».
- Veiller aux variations de refroidissement qui ne sont pas dues à un changement de température ambiante, de contenu ou de commande de gaz. Si de telles variations se produisent, s'enquérir auprès du concessionnaire ou d'un centre de service après-vente.
- S'assurer que l'alimentation en gaz est du gaz propane uniquement et non pas du butane ou un mélange de butane.
- En fonctionnement de gaz propane, examiner l'apparence de la flamme. Voir « Apparition de flamme de gaz ».
- S'assurer de l'absence d'obstruction ou de restriction de l'écoulement d'air dans la prise d'air inférieure, à travers les serpentins et le condenseur du réfrigérateur, et par la bouche d'échappement supérieure.
- S'assurer du dégagement de l'espace derrière le réfrigérateur. Ne pas utiliser l'espace derrière le réfrigérateur pour ranger quoi que ce soit, en particulier des matériaux combustibles tels que de l'essence et d'autres matériaux à vapeurs ou liquides inflammables.

## Dégivrage

---

Les ailettes de refroidissement du réfrigérateur fonctionnent à des températures de gel et il est normal qu'au contact de l'humidité de l'air elles se couvrent de givre. L'humidité à l'intérieur du réfrigérateur augmente :

- proportionnellement à la température et à l'humidité extérieures.
- lorsque des aliments frais non recouverts ou des aliments encore chauds sont placés dedans.
- d'autant plus que la ou les portes sont laissées longtemps ouvertes.
- si le réfrigérateur présente des fuites d'air.

Bien qu'il ne s'agisse pas d'un modèle sans givre, ce réfrigérateur est conçu pour limiter l'accumulation de givre sur les ailettes de refroidissement. À intervalles réguliers, le système de commande de température dégivre automatiquement les ailettes de refroidissement. L'eau qui en résulte tombe dans une cuve fixée au dos du réfrigérateur. L'eau de la cuve s'évapore ensuite sous l'effet de la chaleur du système frigorifique.

Il est normal que du givre s'accumule à l'intérieur du congélateur. Un réfrigérateur trop givré risque de ne pas donner d'aussi bons résultats. Dégivrer le réfrigérateur et le congélateur aussi souvent que nécessaire :

- Sortir tous les aliments du réfrigérateur.
- Éteindre le réfrigérateur.

**AVIS** *Le dégivrage rend beaucoup d'eau dans le réfrigérateur.*

- Retirer le tuyau de vidange de la cuvette d'égouttage, à l'arrière du réfrigérateur.
- Placer le tuyau de vidange dans un récipient d'au moins un demi-gallon pour récupérer l'eau.
- Placer des serviettes sèches (etc.) à l'intérieur du réfrigérateur et du congélateur pour absorber le givre fondu.



**Des températures élevées peuvent entraîner la distorsion ou la fonte des surfaces intérieures du réfrigérateur. Ne pas utiliser de récipients d'eau TRÈS CHAUDE, de sèche-cheveux ou d'autres dispositifs à haute température pour dégivrer le réfrigérateur. Ne pas employer d'objets durs ou tranchants pour enlever le givre. L'intérieur du réfrigérateur risquerait d'être endommagé.**

- Pour obtenir un dégivrage plus rapide, placer des récipients d'eau CHAUDE dans le réfrigérateur et dans le congélateur.
- Enlever les serviettes humides (etc.) et sécher l'intérieur.
- Retirer le tuyau de vidange du grand récipient et le replacer dans la cuvette d'égouttage.

- Retirer le grand récipient de l'enceinte.
- Remettre le réfrigérateur en route.
- Laisser le réfrigérateur se refroidir.
- Remettre tous les aliments dans le réfrigérateur.

## Nettoyage

---

### Intérieur :

Nettoyer l'intérieur du réfrigérateur aussi souvent que nécessaire pour éviter les odeurs :

- Sortir tous les aliments du réfrigérateur.



*Ne pas se servir de produits de nettoyage abrasifs, de produits chimiques ou de tampons à récurer car ils risquent d'endommager l'intérieur du réfrigérateur.*

- Laver l'intérieur avec un produit de nettoyage doux ou un mélange de détergent liquide pour vaisselle et d'eau chaude.
- Rincer avec un mélange de bicarbonate de soude et d'eau propre.
- Sécher avec un chiffon propre.
- Remettre tous les aliments dans le réfrigérateur.

### Portes métalliques :

Pour nettoyer les portes métalliques :

- Laver les portes avec un produit de nettoyage doux ou un mélange de détergent liquide pour vaisselle et d'eau chaude.
- Rincer à l'eau propre.
- Sécher avec un chiffon propre.



*Ne pas se servir de produits de nettoyage abrasifs, de produits chimiques ou de tampons à récurer car ils risquent d'endommager les portes métalliques.*

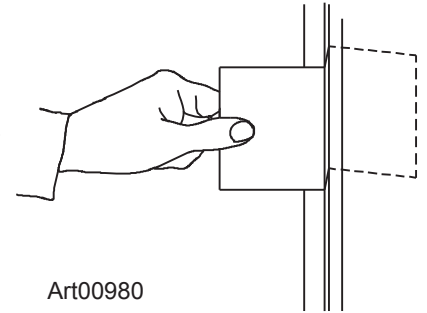
## Fermeture étanche de la porte

---

Vérifier le joint des portes (voir Art00980).

Si une porte n'est pas absolument étanche, un excès de givre se formera à l'intérieur du réfrigérateur. S'assurer de l'étanchéité de la fermeture des portes :

- Fermer chaque porte sur un morceau de papier à peu près de la taille d'un billet d'un dollar.
- Tirer doucement sur le papier.
  - Une légère résistance doit se faire sentir entre le joint et la caisse.
  - Répéter cette opération sur les quatre côtés de la porte.
  - L'absence d'une légère résistance exercée sur le papier indique une mauvaise étanchéité de la porte.
  - Faire vérifier l'étanchéité de la porte par un concessionnaire ou un centre de service après-vente agréé Norcold.



## Entreposage du réfrigérateur

---

Avant d'entreposer le réfrigérateur pour une période prolongée de temps (saisonnière) :

- Nettoyer l'intérieur du réfrigérateur.
- Ne pas fermer les portes complètement.

Avant de remettre en marche un réfrigérateur qui a été entreposé pendant un certain temps :

- S'assurer de l'absence d'obstructions aux bouches de ventilation, passages d'air de ventilation, brûleur, buse ou conduit de fumée.

## Entreposage de la machine à glaçons

---

Pour préparer la machine à glaçons pour son entreposage saisonnier, procéder comme suit :

1. Fermer le robinet d'arrivée d'eau relié à la machine à glaçons du véhicule.
2. Pousser vers le haut le bras de la machine à glaçons jusqu'à ce qu'il se verrouille en position OFF (Arrêt).
3. Débrancher l'adaptateur de tuyau d'arrosage au niveau de l'électrovanne d'eau.
4. Retirer de l'électrovanne d'eau le tuyau d'eau de la machine à glaçons.
  - Ne pas démonter de l'électrovanne d'eau la résistance de la chaufferette du tuyau d'eau.
5. Vidanger toute l'eau du tuyau d'arrivée d'eau et du tuyau d'eau de la machine à glaçons.
6. Placer l'extrémité du tuyau d'arrivée d'eau, l'extrémité du tuyau d'eau de la machine à glaçons et l'électrovanne d'eau individuellement dans un sac en plastique propre.
7. Fermer à l'aide de ruban adhésif chacun des sacs en plastique autour des tuyaux d'eau et de l'électrovanne d'eau.

Pour utiliser la machine à glaçons après son entreposage saisonnier, procéder comme suit :



**Ne pas utiliser la machine à glaçons si la température ambiante est inférieure ou égale à 0 °F. L'électrovanne d'eau et le tuyau d'arrivée d'eau risqueraient d'être endommagés.**

1. Retirer le ruban adhésif et les sacs en plastique de l'extrémité du tuyau d'arrivée d'eau, de l'extrémité du tuyau d'eau de la machine à glaçons et de l'électrovanne d'eau.
2. Brancher le tuyau d'eau de la machine à glaçons dans l'électrovanne d'eau.
3. Brancher l'adaptateur de tuyau d'arrosage au niveau de l'électrovanne d'eau.
4. Pousser vers le bas le bras de la machine à glaçons jusqu'en position « MARCHE ».
5. Ouvrir le robinet d'arrivée d'eau relié à la machine à glaçons du véhicule.



*Jeter sans les utiliser les deux premiers groupes de glaçons. Il faut en effet environ trois cycles à la machine à glaçons pour fournir des glaçons entièrement formés et propres.*

## Liste de contrôle de l'entretien du réfrigérateur

---

Lire les sections suivantes de ce manuel relatives à l'entretien et en assimiler le contenu.



*Norcold décline toute responsabilité en cas d'installation, de réglage, de modification, de réparation ou d'entretien effectué(e) par quiconque autre qu'un concessionnaire de véhicules de loisir qualifié ou un centre de service après-vente agréé Norcold.*

Demander à un concessionnaire de véhicules de loisir qualifié ou un centre de service après-vente agréé Norcold d'effectuer ces contrôles annuels de sécurité et d'entretien :

- Chercher les fuites aux tuyaux d'arrivée de gaz.
  - Remplacer ou réparer, selon le besoin.
- S'assurer que la pression du gaz propane est à 11 po de colonne d'eau.
  - Régler si nécessaire.
- Vérifier que le joint de combustion est complet et intact.
  - Le remplacer ou le réparer, selon le besoin.
- Vérifier que brûleur et l'orifice du brûleur sont propres.
  - Les nettoyer si nécessaire.
- S'assurer que l'électrode [167] est propre et que l'écartement des électrodes est de 1/8 à 3/16 po.(voir Art02497)
  - Régler si nécessaire.
- S'assurer que la tension c.a. est de 108 à 132 volts et la tension c.c. de 10,5 à 15,4 volts.

## Entretien du réfrigérateur

### Apparition de flamme de gaz :

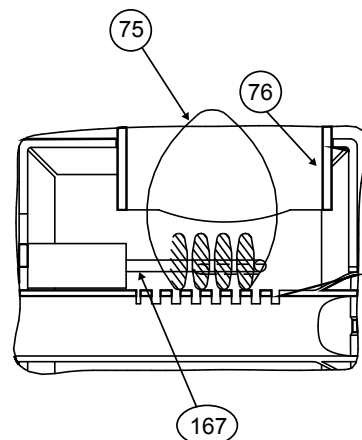
En fonctionnement au gaz propane (LP GAS), examiner l'apparence de la flamme du gaz :

- Appuyer sur le bouton TEMP SET jusqu'à ce que le chiffre « 9 » apparaisse sur l'écran central.
- Ouvrir la bouche de prise d'air inférieure.



**Le couvercle du compartiment du brûleur peut être brûlant. Porter des gants pour éviter les brûlures.**

- Examiner la flamme du gaz [75] (voir Art02497).
  - La flamme doit être :
    - d'un bleu plus foncé à l'intérieur qu'à l'extérieur.
    - de forme constante et sans vacillation.
  - S'enquérir auprès du concessionnaire ou du centre de service après-vente agréé Norcold si la flamme :
    - est jaune
    - vacille ou change de forme.
  - Veiller à ce que la flamme ne touche pas l'intérieur du conduit de fumée [76].
  - Si la flamme touche l'intérieur du conduit de fumée, contacter le concessionnaire ou le centre de service après-vente agréé Norcold.
- Fermer la porte du compartiment du brûleur.



ART 02497

### Retrait et nettoyage de la buse du brûleur :

Cette opération doit être effectuée par un concessionnaire ou un centre de service après-vente agréé Norcold.

Retrait et nettoyage de la buse du brûleur (voir Art00956) :

- Fermer le robinet à la ou aux bouteilles de gaz propane.
- Appuyer sur le bouton ON / OFF pour éteindre le réfrigérateur.
- Ouvrir la bouche de prise d'air inférieure.



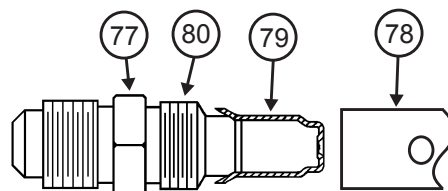
**Le couvercle du compartiment du brûleur peut être brûlant. Porter des gants pour éviter les brûlures.**

- Retirer le couvercle du compartiment du brûleur en ôtant la ou les vis.



**Pour éviter les fuites de gaz propane, toujours se servir de deux clés pour desserrer et serrer les raccords du tuyau d'arrivée de gaz.**

- Démontez le raccord conique de la buse [77] (voir Art00956).
- Retirer la buse du brûleur [78].



Art 00956



**Lors du nettoyage, ne pas essayer de démonter la buse [79] de son adaptateur [80]. La buse et son joint risqueraient d'être endommagés, ce qui pourrait causer une fuite de gaz propane. Le gaz propane qui s'échappe risque de s'enflammer ou d'exploser, d'où risque de blessures graves ou mortelles. Ne pas nettoyer la buse avec une épingle ou tout autre objet.**



- Nettoyer l'ensemble de la buse à l'aide de pression d'air et d'alcool uniquement.
- À l'aide d'une clé, monter l'ensemble de la buse sur le brûleur.
- Poser le raccord conique sur la buse.
- Chercher les fuites de gaz au niveau de tous les raccords.
- Assembler le couvercle du compartiment du brûleur.

## Retrait du réfrigérateur

---

Cette opération doit être effectuée par un concessionnaire ou un centre de service après-vente agréé Norcold.



**L'arrière du réfrigérateur présente des arêtes vives et des angles coupants. Pour éviter de se couper ou de s'écorcher lors du travail sur le réfrigérateur, faire attention et porter des gants résistant aux coupures.**



**Pour éviter les fuites de gaz propane, toujours se servir de deux clés pour serrer ou desserrer les raccords du tuyau d'arrivée de gaz.**

1. Fermer le robinet à la ou aux bouteilles de gaz propane.
2. Retirer le cordon d'alimentation c.a. noir et le cordon d'alimentation c.a. blanc de la machine à glaçons (en option) de la prise de courant.
3. Retirer les fils c.c. du réfrigérateur :
  - Marquer les fils c.c. pour être sûr de les remettre au bon endroit.
  - Débrancher le fusible c.c. ou les fils c.c. de la batterie ou du convertisseur du véhicule.
  - Retirer les fils c.c. du réfrigérateur.
4. Ouvrir la prise d'air inférieure et enlever le tuyau d'arrivée de gaz du raccord du réfrigérateur.
5. Retirer les garnitures supérieure et inférieure en les tirant vers l'avant jusqu'à ce qu'elles se dégagent du réfrigérateur.
6. Retirer les vis des brides de montage supérieure et inférieure à l'avant du réfrigérateur.
7. Retirer les vis de la bride de montage à l'arrière du réfrigérateur.
8. Retirer le réfrigérateur de l'ouverture.

## Réinstallation du réfrigérateur

---

Cette opération doit être effectuée par un concessionnaire ou un centre de service après-vente agréé Norcold.



**S'assurer que le joint de combustion n'est pas rompu, qu'il entoure complètement les brides de montage du réfrigérateur et qu'il sépare ces brides de la paroi de l'enceinte. Si le joint de combustion est interrompu, des gaz d'échappement peuvent s'infiltrer dans l'habitacle du véhicule. L'inhalation de gaz d'échappement peut causer des vertiges, des nausées et, dans les cas extrêmes, la mort.**

1. Faire entrer complètement le réfrigérateur dans l'enceinte.
2. Installer les vis dans les brides de montage supérieure puis inférieure à l'avant du réfrigérateur.
3. Installer les vis dans la bride de montage à l'arrière du réfrigérateur.
4. Enfoncer les garnitures supérieure et inférieure sur l'avant du réfrigérateur jusqu'à ce qu'elles s'enclenchent en position.



**Pour éviter les fuites de gaz propane, toujours se servir de deux clés pour desserrer et serrer les raccords du tuyau d'arrivée de gaz propane.**

5. Brancher le tuyau d'arrivée de gaz au raccord du réfrigérateur.
6. Ouvrir le robinet à la ou aux bouteilles de gaz propane.



**Ne pas laisser la solution de contrôle des fuites entrer en contact avec les composants électriques. Nombre de liquides sont conducteurs et peuvent poser des risques de court-circuit, voire même d'incendie.**

7. Employer une solution de détection de fuites pour vérifier l'étanchéité du tuyau d'arrivée de gaz.
8. Brancher les fils c.c. au réfrigérateur :
  - Brancher les fils c.c. au réfrigérateur.
  - Installer le fusible c.c. ou brancher les fils c.c. sur la batterie ou le convertisseur du véhicule.
9. Brancher le cordon d'alimentation c.a. noir et le cordon d'alimentation c.a. blanc de la machine à glaçons (en option) sur la prise de courant.

## Pièces de rechange

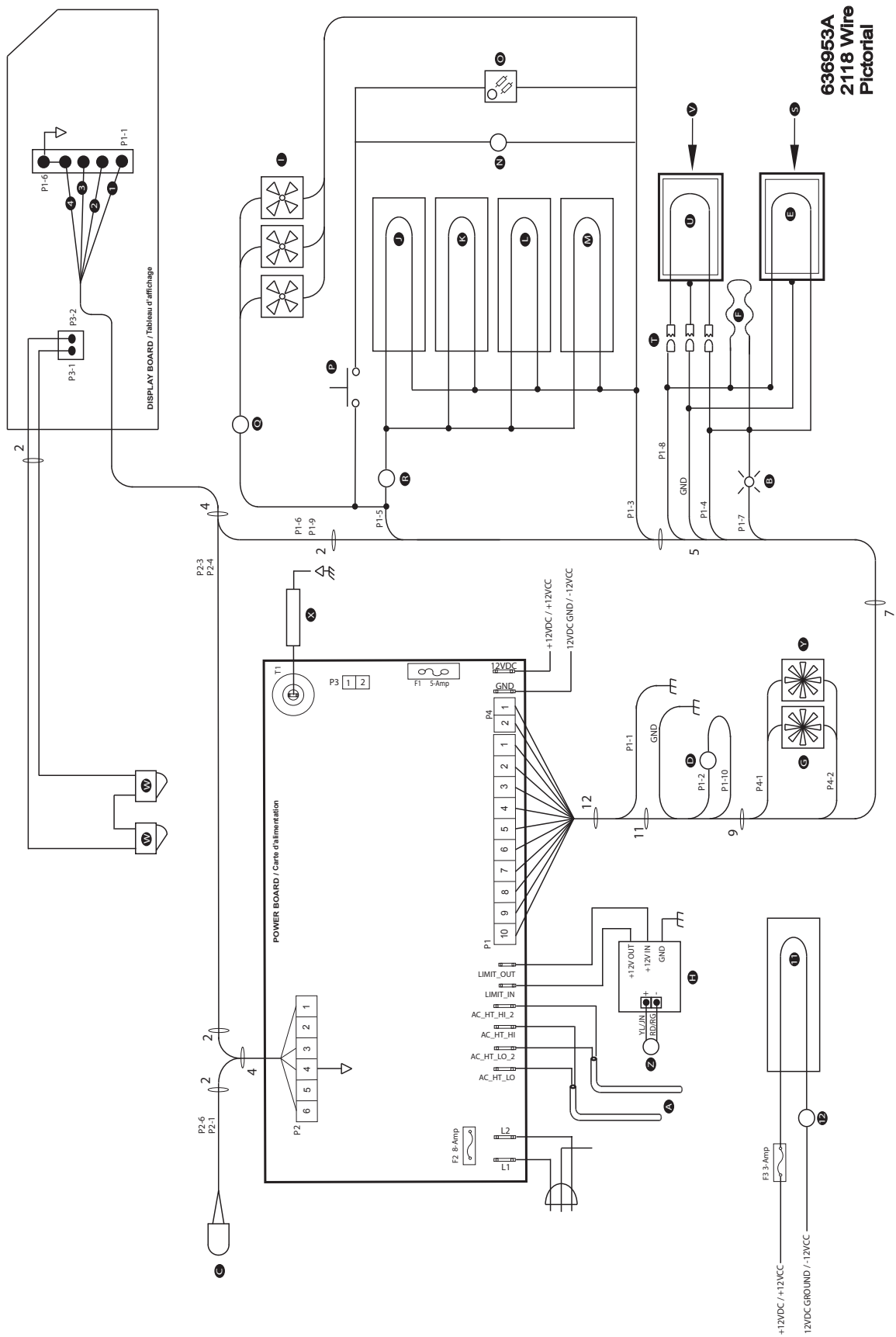
---

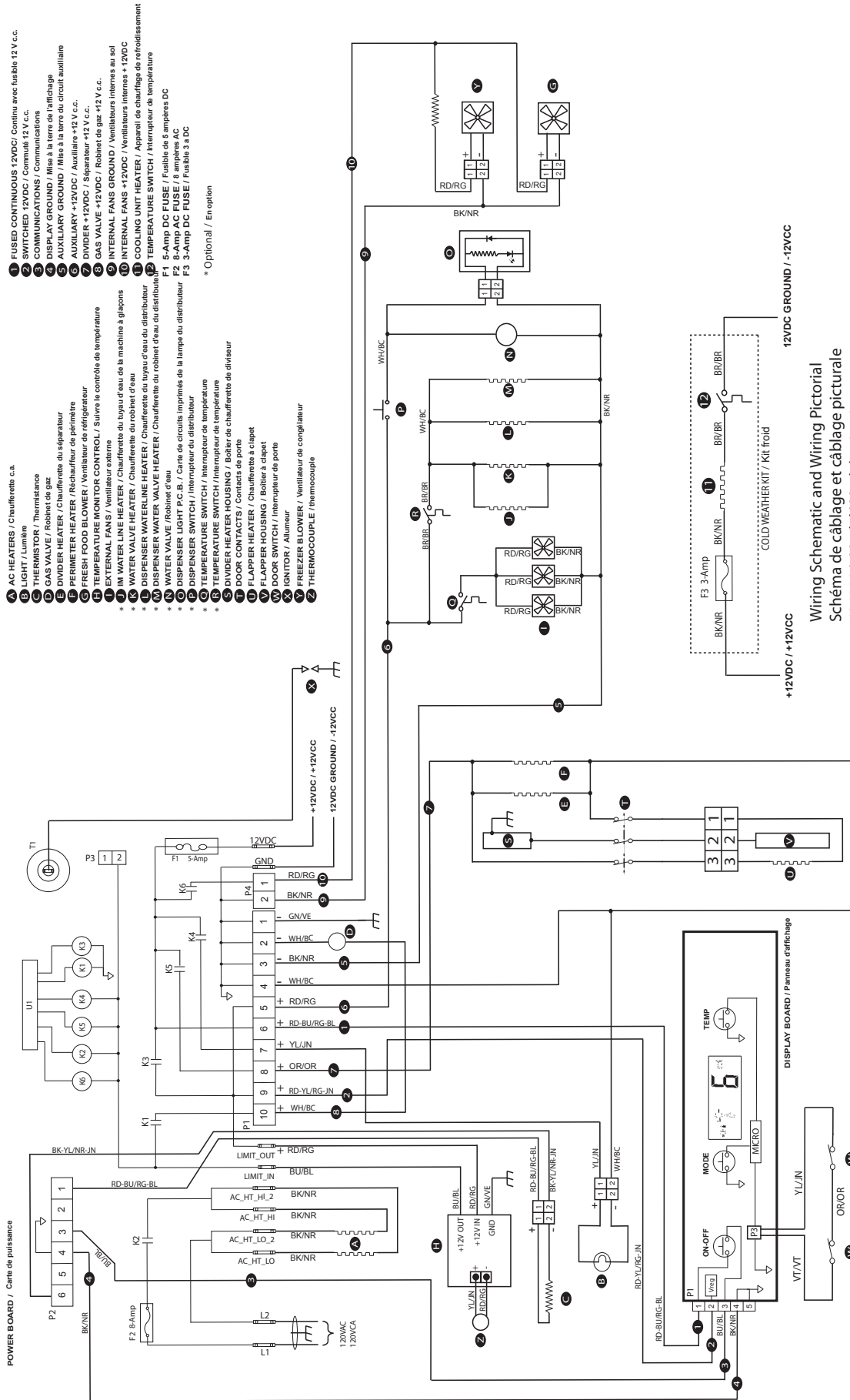
Les pièces de rechange peuvent être obtenues auprès du concessionnaire de véhicules de loisirs local ou d'un centre de service après-vente agréé Norcold.

## Codes d'anomalie

Code de défaillance	Signification	Actions correctives
"dr" avec alarme sonore.	La porte est restée ouverte pendant plus de 2 minutes.	Fermer la porte.
"no" "FL" avec alarme sonore.	Le brûleur n'est pas allumé ou rallumé.	Vérifier: - Que le robinet du (des) réservoir(s) de propane est (sont) ouvert(s). - Que la pression du gaz propane est correcte. - Que le robinet d'arrêt manuel de réfrigérateur est ouvert. - Qu'il n'y a pas d'air dans le tuyau d'arrivée de gaz propane. Voir la section « Purge d'air des tuyaux d'arrivée de gaz propane » dans le manuel d'utilisation. Entrer en rapport avec le concessionnaire ou la Centre d'entretien autorisé Norcold.
"no" "AC" avec alarme sonore.	La tension c.a. n'est pas disponible vers le réfrigérateur.	Vérifier: - Que le réfrigérateur est branché dans une prise qui fonctionne. - Que le fusible ou le disjoncteur du véhicule est intact. - Que la génératrice du véhicule est opérationnelle (si elle existe). Entrer en rapport avec le concessionnaire ou la Centre d'entretien autorisé Norcold.
"Lo" "dc"	La tension c.c. vers le réfrigérateur est faible.	Vérifier: - Que le système de charge de la batterie du véhicule est opérationnel. - Que le convertisseur C.A/C.C. est opérationnel (si existe). Entrer en rapport avec le concessionnaire ou la Centre d'entretien autorisé Norcold.
"Lo" "dc" avec alarme sonore.	La tension c.c. vers le réfrigérateur est faible.	Vérifier: - Que le système de charge de la batterie du véhicule est opérationnel. - Que le convertisseur C.A/C.C. est opérationnel (si existe). Entrer en rapport avec le concessionnaire ou la Centre d'entretien autorisé Norcold.
"Sr" avec alarme sonore.	Il s'agit d'une anomalie à l'intérieur même des commandes du réfrigérateur.	COUPER l'alimentation du réfrigérateur puis la rétablir pour le réinitialiser. Si le code d'anomalie persiste, consulter le concessionnaire ou un centre de service après-vente agréé Norcold.
Le réglage de température clignote lorsque l'on appuie sur le bouton RÉGLAGE TEMP. ou MODE.	Le réfrigérateur fonctionne sur le système de fonctionnement de secours.	Aucune action corrective par l'utilisateur/propriétaire. Entrer en rapport avec le concessionnaire ou la Centre d'entretien autorisé Norcold.
"AC" "rE" avec alarme sonore.	Il s'agit d'une anomalie à l'intérieur même des commandes du réfrigérateur.	Aucune action corrective par l'utilisateur/propriétaire. Entrer en rapport avec le concessionnaire ou la Centre d'entretien autorisé Norcold.
"AC" "HE" avec alarme sonore.	Il s'agit d'un problème lié à la chaufferette c.a.	Aucune action corrective par l'utilisateur/propriétaire. Entrer en rapport avec le concessionnaire ou la Centre d'entretien autorisé Norcold.
"oP" "LI" avec alarme sonore.	Un interrupteur de limite de température est ouvert.	Aucune action corrective par l'utilisateur/propriétaire. Entrer en rapport avec le concessionnaire ou la Centre d'entretien autorisé Norcold.
"FL" "-" avec alarme sonore.	Une flamme est présente au niveau du brûleur alors qu'il ne devrait pas y en avoir.	Aucune action corrective par l'utilisateur/propriétaire. Entrer en rapport avec le concessionnaire ou la Centre d'entretien autorisé Norcold.

# Graphique et schéma de câblage



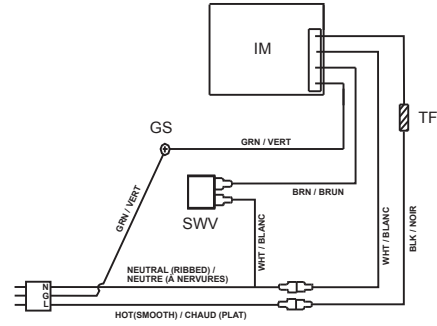
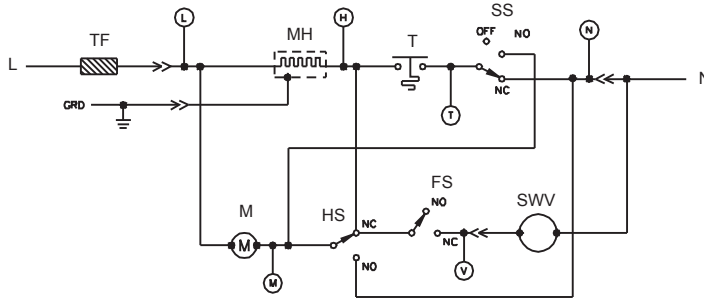


Wiring Schematic and Wiring Pictorial  
 Schéma de câblage et câblage picturale  
 636953A Model/ Modeles 2118

## Schéma de câblage de la machine à glaçons

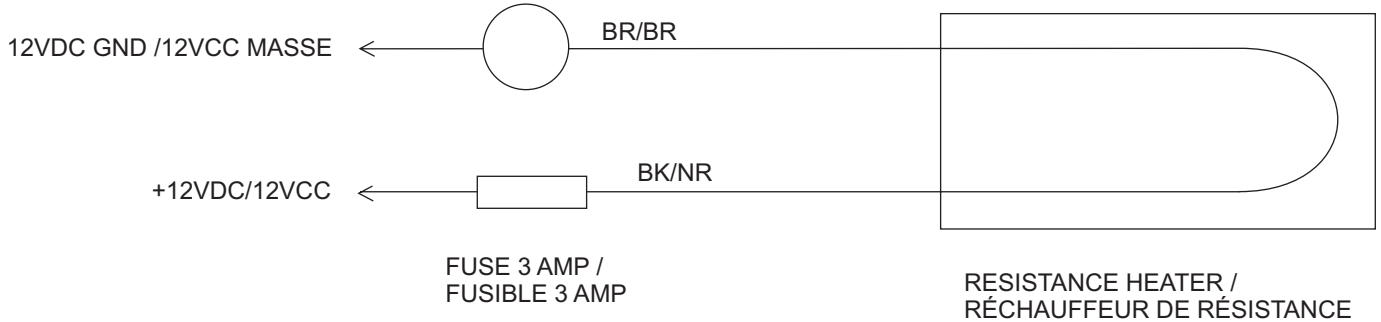
Désignation des repères du schéma de câblage et du schéma électrique de la machine à glaçons Art01858 :

FS.....	Contacteur de remplissage
GS.....	Vis de mise à la terre
HS.....	Contacteur de maintien
IM.....	Machine à glaçons
L.....	120 V c.a. chaud/lissé
M.....	Moteur
MH.....	Dispositif de chauffage - moule
N.....	120 V c.a. neutre/torsadé
SS.....	Contacteur d'arrêt
SWV.....	Électrovalve d'eau
T.....	Thermostat
TF.....	Fusible thermique

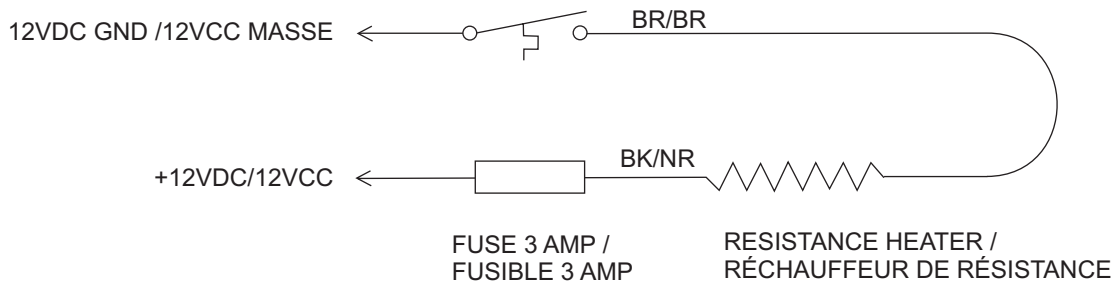


Art01858

### THERMAL SWITCH / CONTACTEUR DE THERMIQUE



### THERMAL SWITCH / CONTACTEUR DE THERMIQUE



Art02312



Ce kit alimente le chauffage en tension c.c. chaque fois que la température ambiante est suffisamment basse. Un entreposage prolongé par temps froid décharge les batteries du véhicule. Pour éviter la décharge des batteries, débrancher le fusible 3 A du chauffage à basse température ambiante.