



Installation Manual for the 121X series of RV Refrigerators

The letter “X”, in the model numbers above, stands for a letter or numeral which means a refrigerator option.



WARNING: Improper installation, adjustment, alteration, service or maintenance can cause injury or property damage. Refer to this manual. For assistance or additional information, contact a qualified installer, service agency, or the gas supplier.

FOR YOUR SAFETY

Do not store or use gasoline or other flammable vapors and liquid in the vicinity of this or any other appliance.

FOR YOUR SAFETY

If you smell gas:

1. Open windows.
2. Don't touch electrical switches.
3. Extinguish any open flame.
4. Immediately call your gas supplier.



WARNING: DO NOT install this refrigerator in below deck marine applications. Do not install this refrigerator in a fixed indoor cabin or other dwelling applications. This refrigerator must use only NORCOLD designed and approved outside air intake and exhaust ventilation for correct and safe operation. Any other ventilation could cause lethal combustion exhaust fumes and/or explosive propane gas fumes to be in the living area and/or to be below deck.


English


Table of Contents

Safety Awareness.....	2
Safety Instructions.....	3
Certification and Code Requirements.....	3
Ventilation Requirements.....	4
Key Refrigerator Dimensions.....	5
Assemble the Enclosure for the Refrigerator.....	6
Install the Lower Intake Vent.....	6
Optional Installation.....	7
Install the Upper Roof Exhaust Vent.....	8
Install the Baffles for an Upper Roof Exhaust Vent.....	8
Vertical enclosures.....	8
Offset vertical enclosures.....	10
Install an Upper Side-Wall Exhaust Vent.....	12
Install the Baffles for an Upper Side-Wall Exhaust Vent.....	12
Install an Air Deflector (optional).....	14
Install Decorative Door Panels (non-metal door models).....	14
Install the Refrigerator.....	15
Connect the Electrical Components.....	17
Connect the 120 volts AC supply.....	17
Connect the 12 volts DC supply.....	17
Connect the Propane Gas Components.....	18
Connect the propane gas supply system.....	18
Examine the propane gas supply system for leaks.....	18
Connect the Ice Maker (optional).....	19
Connect the water supply line.....	19
Ignition and Start Up.....	20
Set the controls to automatic mode operation.....	20
Set the controls to manual mode operation.....	21
Do a test of the gas safety valve.....	21
Shut down.....	21
Fault Codes.....	22

Safety Awareness

Read this manual carefully and understand the contents before you install the refrigerator.

Be aware of possible safety hazards when you see the safety alert symbol on the refrigerator and in this manual. A signal word follows the safety  meanings. They are for your safety.

 **WARNING:** This signal word means a hazard, which if ignored, can cause dangerous personal injury, death, or much property damage.

 **CAUTION:** This signal word means a hazard, which if ignored, can cause small personal injury or much property damage.

Safety Instructions



WARNING:

- This refrigerator is not approved for use as a free standing refrigerator. It is equipped for the use of propane gas only and can not be changed to use any other fuels (natural gas, butane, etc.).
- Incorrect installation, adjustment, alteration, or maintenance of this refrigerator can cause personal injury, property damage, or both.
- Obey the instructions in this manual to install intake and exhaust vents.
- Do not install the refrigerator directly on carpet. Put the refrigerator on a metal or wood panel that extends the full width and depth of the refrigerator.
- Do not allow anything to touch the refrigerator cooling system.
- Propane gas can ignite and cause an explosion that can result in property damage, personal injury, or death. Do not smoke or create sparks. Do not use an open flame to examine the propane gas supply line for leaks. Always use two wrenches to tighten or loosen the propane gas supply line connections.
- Make sure the electrical installation obeys all applicable codes. See “Certification and Code Requirements” section.
- Do not bypass or change the refrigerator’s electrical components or features.
- Do not touch the electrical components and can cause a shock hazard, electrical shorts, and in some cases fire.
- The refrigerator cooling system is under pressure. Do not try to repair or to recharge a defective cooling system.
- The cooling system contains sodium chromate. The breathing of certain chromium compounds can cause cancer. The cooling system contents can cause severe skin and eye burns, and can ignite and burn with an intense flame. Do not bend, drop, weld, move, drill, puncture, or hit the cooling system.



CAUTION:

- The rear of the refrigerator has sharp edges and corners. To prevent cuts or abrasions when working on the refrigerator, use caution and wear cut resistant gloves.
- Make sure that the refrigerator is stored in a location so that it is not exposed to the elements of the weather.

Certification and Code Requirements

This refrigerator is certified by CSA International as meeting the latest edition of ANSI Z21.19 / CAN 1.4 standards for installation in mobile homes or recreational vehicles.

The installation must obey these standards and this “Installation Manual” for the NORCOLD limited warranty to be in effect. Installation must conform with the following as applicable:



Art01290



In the United States and Canada:

- Local codes, or in the absence of local codes, the National Fuel Gas Code, ANSI Z223.1/NFPA 54, the Natural Gas and Propane installation Code, CSA B149.1, ANSI A119.2 Recreational Vehicles Code, and CSA Z240 RV Series, Recreational Vehicles.
- A manufactured home (mobile home) installation must conform with the Manufactured Home Construction and Safety Standard, Title 24 CFR, Part 3280 [formerly the Federal Standard for Mobile Home Construction and Safety, Title 24 (part 280), and the current CSA Z240.4, Gas-equipped Recreational Vehicles and Mobile Housing.
- If an external power source is utilized, the appliance, when installed, must be electrically grounded in accordance with local codes or, in the absence of local codes, the National Electrical code, and ANSI/NFPA 70, or the Canadian Electrical Code, CSA C22.2. Parts 1 and 2.

All propane gas supply piping and fittings must obey local, state, and national codes about type and size. These components must also obey the current NFPA 501C section 2-4, and in Canada with the current CAN 1-6.10 Standard.

Ventilation Requirements



WARNING: The completed installation must:

- Make sure there is sufficient intake of fresh air for combustion.
- Make sure the living space is completely isolated from the combustion system of the refrigerator.
- Make sure there is complete and unrestricted ventilation of the flue exhaust which, in gas mode, can produce carbon monoxide. The breathing of carbon monoxide fumes can cause dizziness, nausea, or in extreme cases, death.
- Make sure the refrigerator is completely isolated from its heat generating components through the correct use of baffles and panel construction.

Certi

Any

other installation method voids both the certification and the factory warranty of the refrigerator.

The bottom of the opening for the lower intake vent, which is also the service access door, must be even with or immediately below the floor level. This allows any leaking propane gas to escape to the outside and not to collect at floor level.

CSA International certification allows the refrigerator to have zero (0) inch minimum clearance at the sides, rear, top, and bottom. While there are no maximum clearances specified for certification, the following maximum clearances are necessary for correct refrigerator performance:

Bottom	0 inch min.	0 inch max.
Each Side	0 inch min.	1/2 inch max.
Top	0 inch min.	1/4 inch max.
Rear	0 inch min.	1 inch max.

These clearances plus the lower and upper vents allow the natural air draft that is necessary for good refrigeration. Cooler air comes in through the lower vent, goes up around the refrigerator coils where it removes the excess heat from the refrigerator components, and goes out through the upper vent.

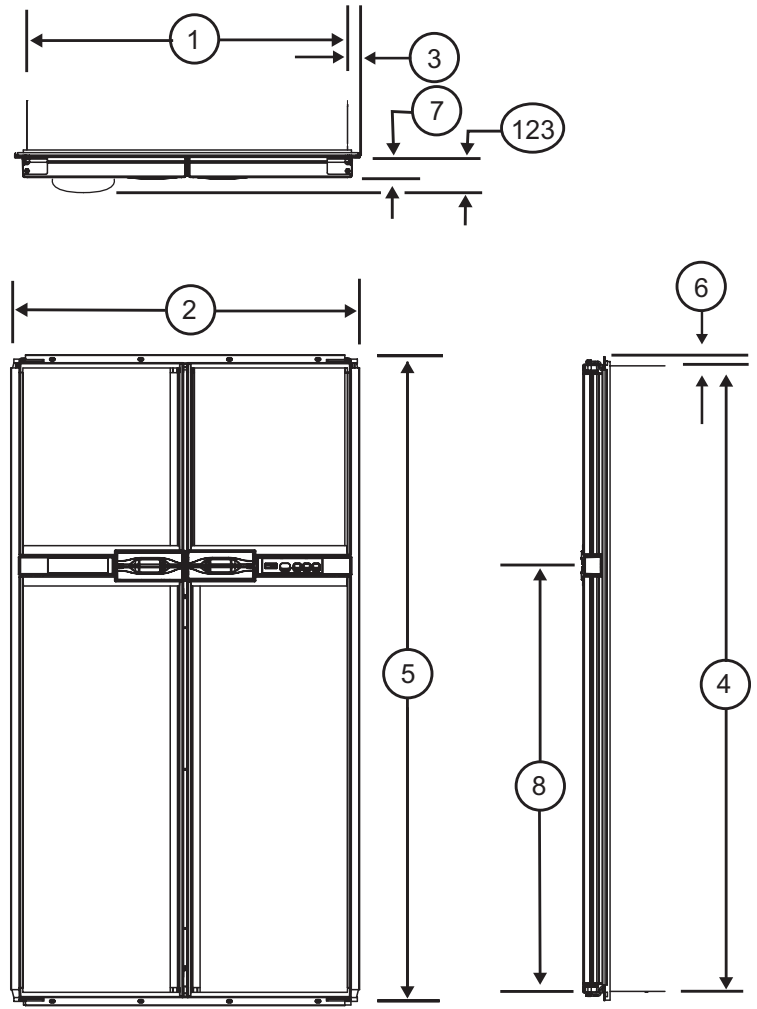
The refrigerator also has two thermostat controlled fans to move air across the cooling system. These fans turn on when the condenser fin temperature at the thermostat is about 130° F or higher and only when the refrigerator controls are on. These fans turn off when the condenser fin temperature at the thermostat is about 115° F or less. Even with these fans, if the air flow is blocked or decreased, the refrigerator will not cool correctly.

Each NORCOLD model is certified by CSA International for correct ventilation. Install only the certified vents that are listed in this manual.

Key Refrigerator Dimensions

These key refrigerator dimensions are for your reference as necessary (See Art01734).

- Refrigerator cabinet width w/o trim - 32.4 in..... 1
- Refrigerator width overall w/ trim - 35.0 in..... 2
- Refrigerator cabinet to side trim - 1.30 in. 3
- Refrigerator cabinet height w/o trim - 63.2 in..... 4
- Refrigerator height overall w/ trim - 65.1 in..... 5
- Refrigerator cabinet to top/bottom trim - 0.90 in..... 6
- Enclosure wall to hinges - 1.92 in..... 7
- Refrigerator cabinet to center of handles - 40.5 in. 8
- Enclosure wall to door (w/dispenser) - 4.47 in..... 123

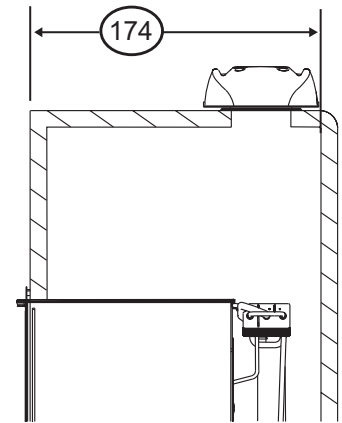


Art01734

Assemble the Enclosure for the Refrigerator

1. Make sure the enclosure shelf is solid and level. The enclosure shelf must be:
 - a metal or a wood panel and extend the full width and depth of the enclosure.
 - able to support the weight of the refrigerator and its contents.
 - level to maintain door alignment.
2. Make sure there are no adjacent heat sources such as a furnace vent, a hot water heater vent, etc.
3. Make sure the enclosure is 63.25 - 63.38 inches high x 32.69 - 32.82 inches wide x 24 inches deep.

NOTE: Measure the enclosure depth [174] from the interior face of the enclosure to the inside of the rear wall (See art01763).



Art01763

4. If there is more than 1/2 inch between either side of the refrigerator and the inside of the enclosure:
 - Fill the space with fiberglass (batt-type) insulation or add a baffle to eliminate the clearance.
 - The rear of the batt-type insulation must be between 18 -19 inches from the face of the enclosure.
 - Securely attach the batt-type insulation to the enclosure, so that it remains in this position during refrigerator installation, if it becomes wet, and in windy conditions.
5. The enclosure face must be perpendicular to the enclosure shelf to provide a combustion seal.
6. The cutout opening must be square and perpendicular to the enclosure shelf to maintain door alignment.
7. Using the following chart, decide which vents and rough opening (RO) sizes to use:

Certified Vent	P/N	RO Height	RO Width
Upper Roof Exhaust Cap	622293 625240	N/A N/A	N/A N/A
Upper Roof Exhaust Vent	616319 625161	24 in. 24 in.	5 1/4 in. 5 1/4 in.
Upper Plastic Exhaust & Lower Intake	621156	13 3/4 in.	21 1/2 in.
Lower Metal Corner Intake	616010	9 3/4 in.	9 3/8 in.

Install the Lower Intake Vent

Install the lower intake vent (See Art01597):

NOTE: The lower intake vent is also the service access opening for the components on the rear of the refrigerator.

WARNING: Make sure the bottom of the opening of the lower intake vent is even with or immediately below the floor level. This allows any leaking propane gas to escape to the outside and not to collect at floor level.

- Make sure the bottom of the opening of the lower intake vent [9] is even with or immediately below the floor level.
- Make sure that the opening for the lower intake vent is between 1/2 inch and 1 inch from the burner side of the refrigerator enclosure.

Optional Installation

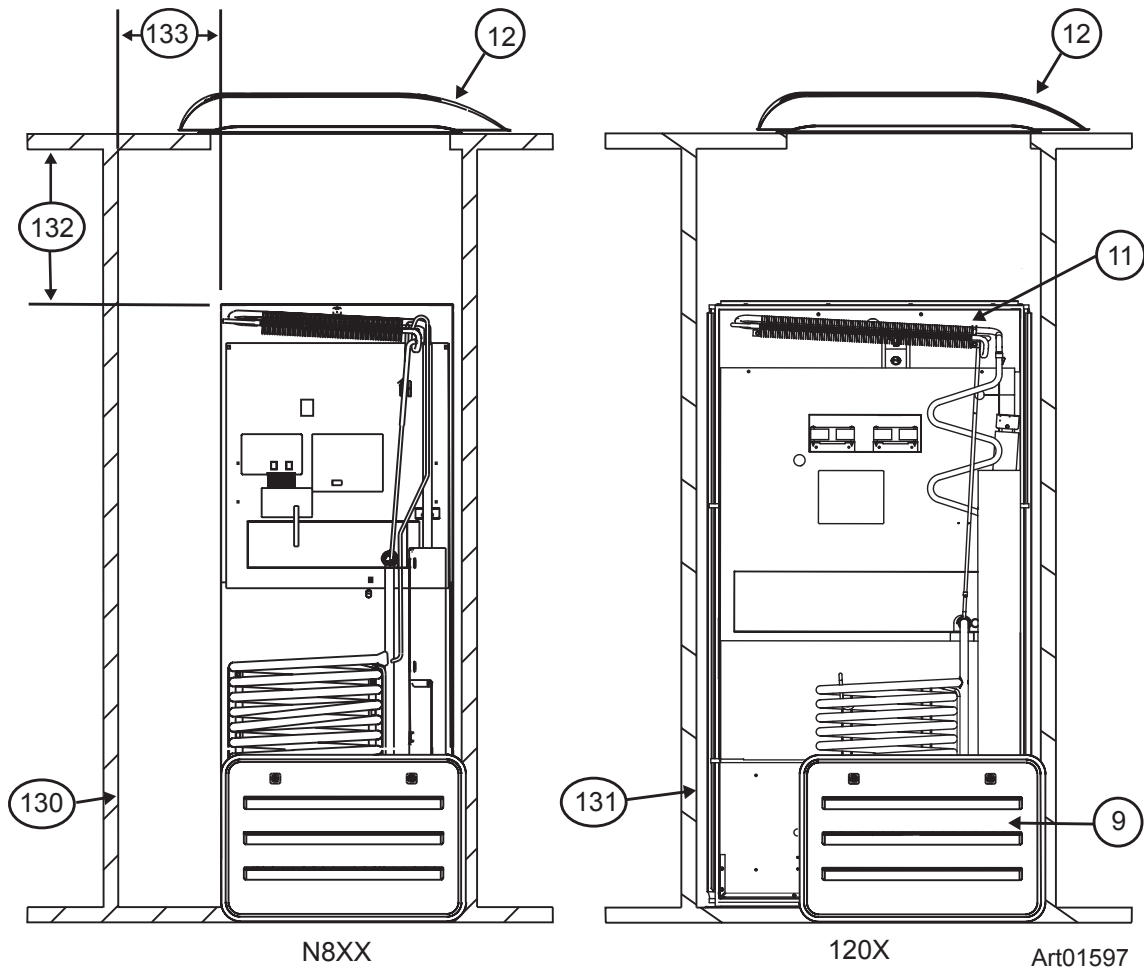
You can change enclosures that were made for Norcold model N8XX refrigerators so that you can put Norcold model 121X refrigerators into them.

To change the Norcold model N8XX refrigerator enclosure [130] into the Norcold model 121X refrigerator enclosure [131] (See Art01597):

- Increase the height of the enclosure by 3 3/8 inches [132].
- Increase the width of the enclosure by 8 13/16 inches [133].
- Make sure to add the additional width to the left side of the enclosure (as looking at the rear of the refrigerator).

Install the necessary baffles only as written in the "Install the Upper and Lower Vents" section of this manual.

The locations of the 12 VDC supply, the 120 VAC supply, and the propane gas supply line do not change.



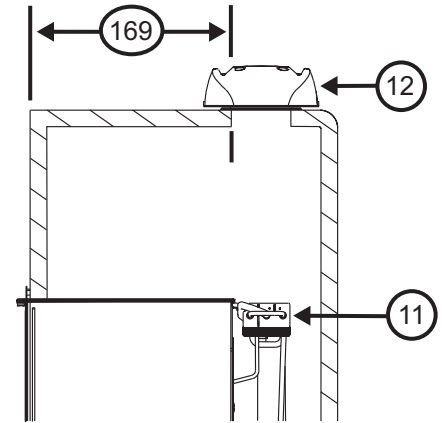
Install an Upper Roof Exhaust Vent

1. Install the upper roof exhaust vent.

CAUTION: Make sure that no sawdust, insulation, or other construction debris is on the refrigerator or in the enclosure. Debris can cause a combustion hazard and prevent the refrigerator from operating correctly.

NOTE: Tighten the screws of the upper roof exhaust cap to 10 inch-pounds max. Also make sure that the air flow around the upper roof exhaust cap is not blocked or decreased by other roof mounted features such as a luggage carrier, an air conditioner, a solar panel, etc.

2. Align the upper roof exhaust vent above the lower intake exhaust vent (See Art01597):
3. Determine the type of enclosure in a vehicle using an upper roof exhaust vent (See Art01756):



Art01756

- If the distance from the face of the enclosure to the inboard edge of the roof exhaust vent opening [169] is more than 17 1/2 inches, install the roof exhaust vent [12] directly above the condenser [11] of the refrigerator as a vertical enclosure.
- If the distance from the face of the enclosure to the inboard edge of the roof exhaust vent opening [169] is 17 1/2 inches or less, install the roof exhaust vent [12] inboard from the condenser [11] of the refrigerator as an offset vertical enclosure.

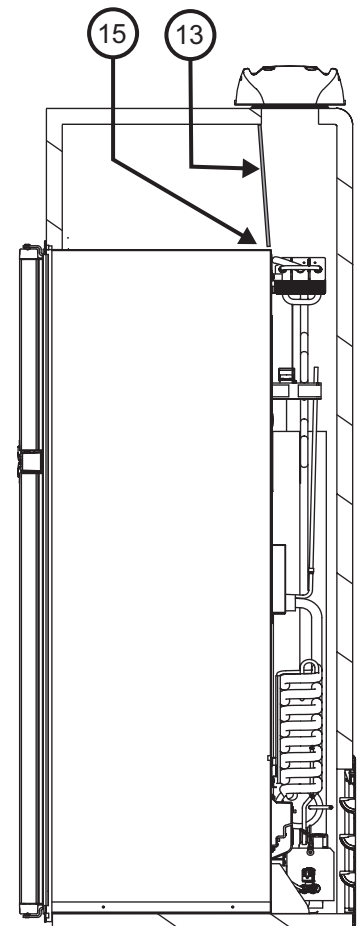
Install the Baffles for an Upper Roof Exhaust Vent

CAUTION: Make sure that all horizontal baffles are the full width of the inside of the enclosure and are in the correct location. If the baffles are not the full width of the enclosure or incorrectly located, poor cooling performance can result.

Vertical enclosures:

If the enclosure depth is 24 inches or more and less than 25 inches (See Art01780):

- Install a top baffle [13].
- Make sure there is less than 1/4 inch clearance between the baffle and the top of the refrigerator.



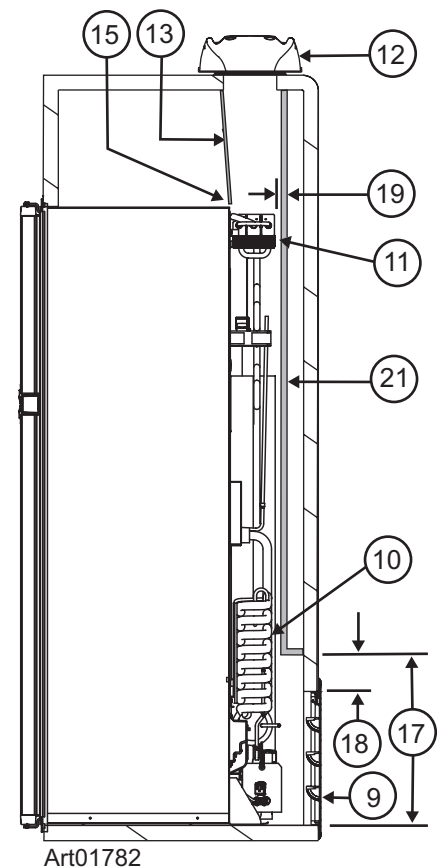
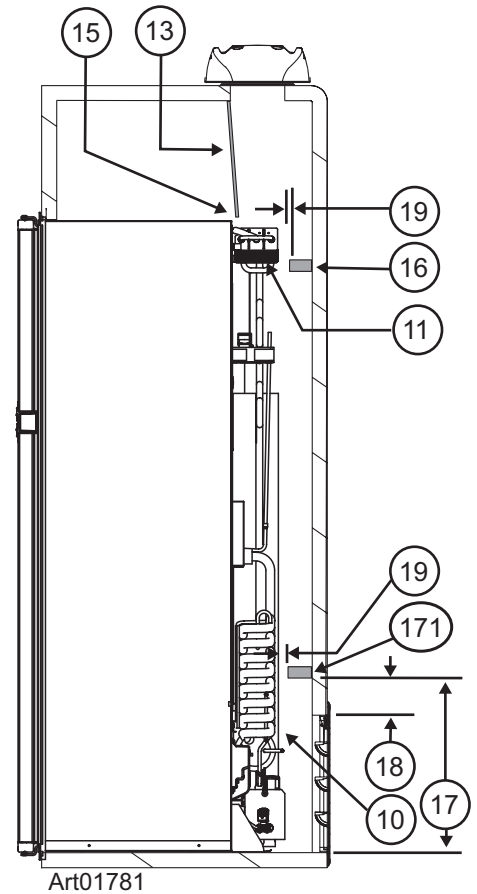
Art01780

If the enclosure depth is 25 inches or more and less than 26 inches (See Art01781):

- Install a top baffle [13].
 - Make sure that the top baffle is less than 1/4 inch [15] from the top of the refrigerator.
- Install a condenser baffle [16] at the lowest edge of the condenser of the refrigerator.
 - Make sure that the condenser baffle is 1 inch or less [19] from the condenser.
- Install an absorber baffle [17] 18 inches to 18 1/2 inches above the bottom of the enclosure [17] (4 1/4 inches to 4 3/4 inches above the top of the lower intake vent opening) [18].
 - Make sure that the absorber baffle is 1 inch or less [19] from the absorber.

If the enclosure depth is 26 inches or more (See Art01782):

- Install a top baffle [13].
 - Make sure that the top baffle is less than 1/4 inch [15] from the top of the refrigerator.
- Install a wood or an aluminum or galvanized sheet solid box baffle [21] in the rear of the enclosure.
 - Make sure that the bottom of the solid box baffle is 18 inches to 18 1/2 inches above the bottom of the enclosure [17] (4 1/4 inches to 4 3/4 inches above the top of the lower intake vent opening) [18].
 - Make sure that the back of the solid box baffle is perpendicular to the bottom of the enclosure.
 - Make sure that the back of the solid box baffle is against the top of the enclosure.
 - Make sure that the solid box baffle is one inch or less [19] from the coils [10] and condenser [11] of the refrigerator.
 - Make sure that the solid box baffle is the full width of the inside of the enclosure.



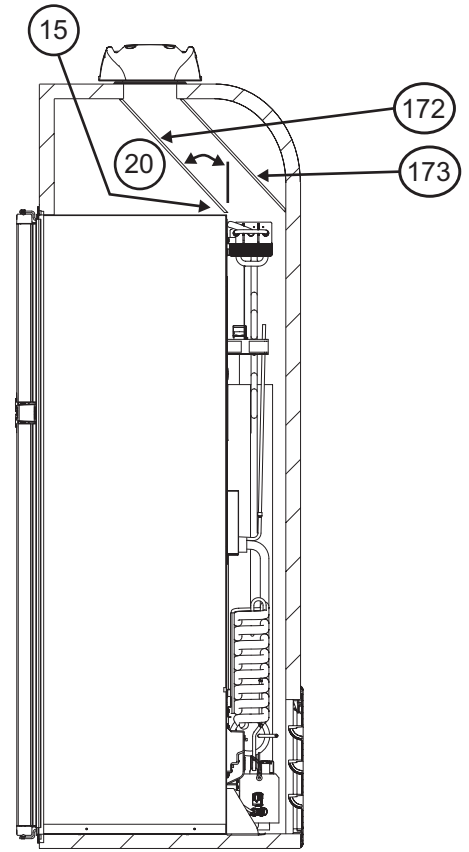
Offset vertical enclosures:

If the enclosure depth is 24 inches or more and less than 25 inches (See Art01783):

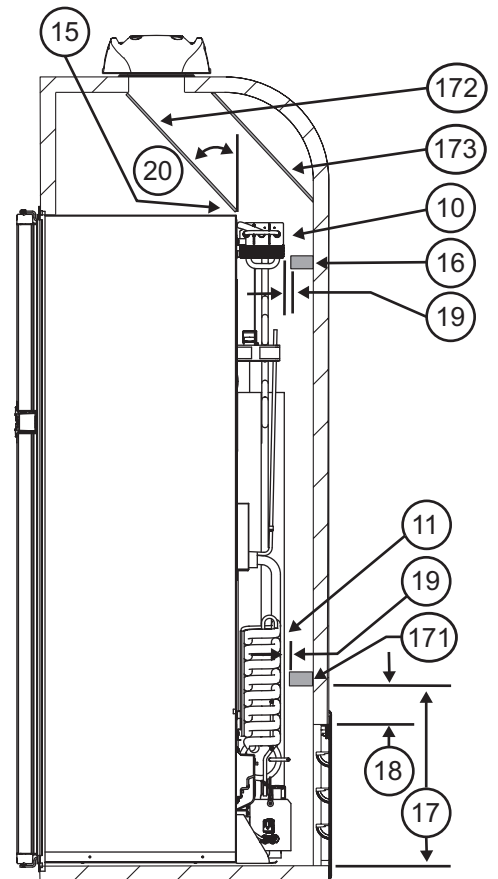
- Install an angled top baffle [172] between the top rear edge of the refrigerator and the inside edge of the upper exhaust vent opening.
- Make sure that the angled top baffle is less than 1/4 inch [15] from the top of the refrigerator.
- Make sure that the angled top baffle is no more than 45° from vertical [20].
- Install an inside corner baffle [173] between the outside edge of the upper exhaust vent opening and either the side wall of the vehicle or the solid box baffle (depending on the vehicle design).

If the enclosure depth is 25 inches or more and less than 26 inches (See Art01784):

- Install an angled top baffle [172] between the top rear edge of the refrigerator and the inside edge of the upper exhaust vent opening.
- Make sure that the angled top baffle is less than 1/4 inch [15] from the top of the refrigerator.
- Make sure that the angled top baffle is no more than 45° from vertical [20].
- Install an inside corner baffle [173] between the outside edge of the upper exhaust vent opening and either the side wall of the vehicle or the solid box baffle (depending on the vehicle design).
- Install a condenser baffle [16] at the lowest edge of the condenser of the refrigerator.
- Make sure that the condenser baffle is 1 inch or less [19] from the condenser.
- Install an absorber baffle [171] 18 inches to 18 1/2 inches above the bottom of the enclosure [17] (4 1/4 inches to 4 3/4 inches above the top of the lower intake vent opening) [18].
- Make sure that the absorber baffle is 1 inch or less [19] from the absorber.



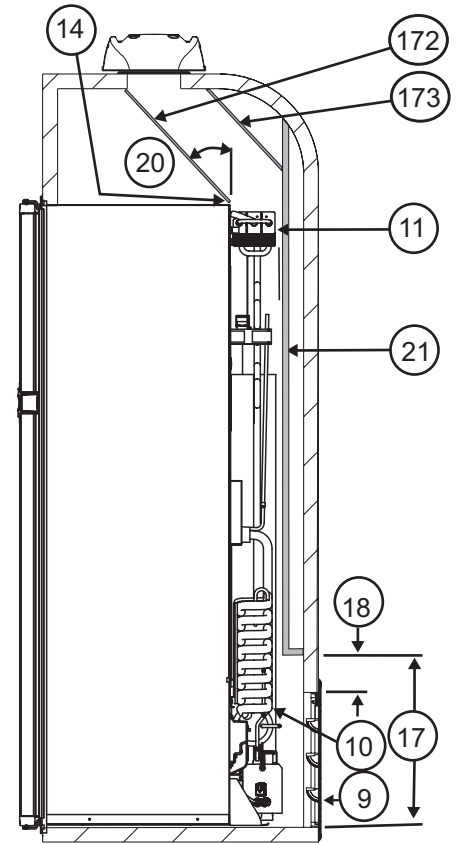
Art01783



Art01784

If the enclosure depth is 26 inches or more (See Art01785):

- Install an angled top baffle [172] between the top rear edge of the refrigerator and the inside edge of the upper exhaust vent opening.
 - Make sure that the angled top baffle is less than 1/4 inch from the top of the refrigerator.
 - Make sure that the angled top baffle is no more than 45° from vertical [20].
- Install an inside corner baffle [173] between the outside edge of the upper exhaust vent opening and either the side wall of the vehicle or the solid box baffle (depending on the vehicle design).
- Install a wood or an aluminum or galvanized sheet solid box baffle [21] in the rear of the enclosure.
 - Make sure that the bottom of the solid box baffle is 18 inches to 18 1/2 inches above the bottom of the enclosure [17] (4 1/4 inches to 4 3/4 inches above the top of the lower intake vent opening) [18] .
 - Make sure that the back of the solid box baffle is perpendicular to the bottom of the enclosure.
 - Make sure that the back of the solid box baffle is either against the top of the enclosure or against the inside corner baffle [173] (depending on the vehicle design).
 - Make sure that the solid box baffle is one inch or less from the coils [10] and condenser [11] of the refrigerator.
 - Make sure that the solid box baffle is the full width of the inside of the enclosure.



Art01785

Install an Upper Side-Wall Exhaust Vent

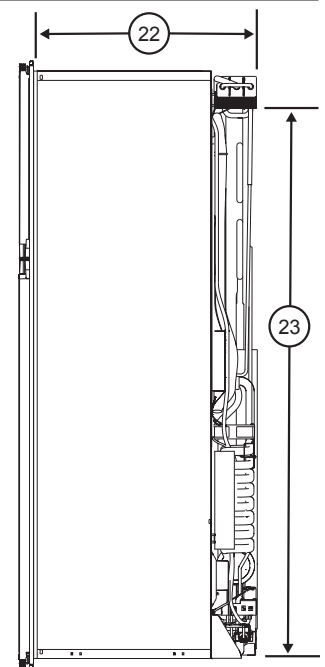
If the design of the vehicle does not allow you to install a roof exhaust vent, install an upper side-wall exhaust vent.

NOTE: The refrigerator is 23.7 in. min. to 24.0 in. max. from the rear of the breaker to the rear of the condenser [22] and is 59.0 in. min. to 59.3 in. max. from the bottom of the refrigerator to the bottom of the refrigerator condenser [23] (See Art01600).

CAUTION: Only use an upper side-wall exhaust vent on refrigerator models that are equipped with a fan. If you use an upper side-wall exhaust vent on a refrigerator model that is not equipped with a fan, the refrigerator cooling performance will be poor.

Make sure the refrigerator model is equipped with a fan.

- Install the upper side-wall exhaust vent [24] so that the distance [25] from the bottom of the enclosure to the top of the rough opening for the upper exhaust vent is at least 63 inches (see Art01588 and Art01589).
- Align the upper exhaust vent horizontally above the lower intake vent [9].



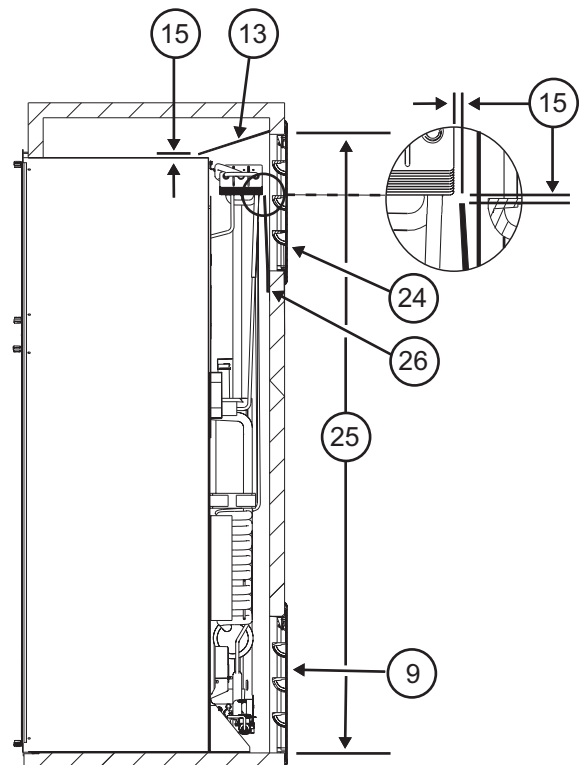
Art01600

Install the Baffles for an Upper Side-Wall Exhaust Vent

CAUTION: Make sure that all horizontal baffles are the full width of the inside of the enclosure and are in the correct location. If the baffles are not the full width of the enclosure or incorrectly located, poor cooling performance can result.

If the enclosure depth is 24 inches or more and less than 26 inches (See Art01764):

- Install a wood, aluminum or galvanized steel top baffle [13] between the top of the refrigerator and the top of the upper exhaust vent [24].
 - Make sure that the top baffle is less than 1/4 inch [15] from the top of the refrigerator and baffle overlaps the refrigerator 1 inch or less.
 - Make sure that the baffle is against the wall of the vehicle at the top of the upper exhaust vent and less than 1/4 inch above the opening for the upper exhaust vent.
- Install an aluminum or galvanized steel bent-sheet condenser baffle [26].
 - Make sure that the bend of the condenser baffle is the full width of the inside of the enclosure.

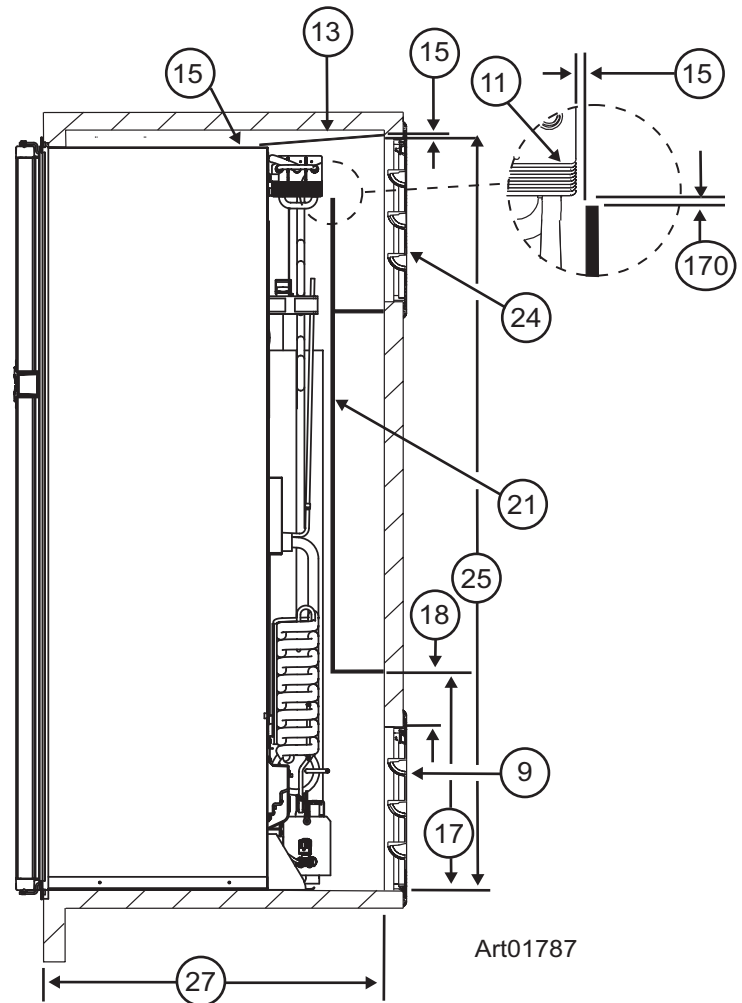


Art01764

- Make sure that the bend of the condenser baffle is flush with the bottom edge of the door frame of the upper side-wall exhaust vent.
- Make sure that the top edge of the condenser baffle is 1/4 inch or less [15] from the lower rear corner of the condenser.

If the enclosure depth is 26 inches or more (See Art01787):

- Install a wood, aluminum or galvanized steel top baffle [13] between the top of the refrigerator and the top of the upper exhaust vent [24].
 - Make sure that the top baffle is less than 1/4 inch [15] from the top of the refrigerator and baffle overlaps the refrigerator 1 inch or less.
 - Make sure that the baffle is against the wall of the vehicle at the top of the upper exhaust vent and less than 1/4 inch above the opening for the upper exhaust vent.
- Install solid box baffle [21] between the lower intake vent and the upper exhaust vent.
 - Make the solid box baffle either from wood or from an aluminum or galvanized-steel sheet.
 - Make sure that the bottom of the solid box baffle is 18 inches to 18 1/2 inches above the bottom of the enclosure [17] (4 1/4 inches to 4 3/4 inches above the top of the lower intake vent opening REF) [18].
 - Make sure that the back of the solid box baffle is perpendicular to the bottom of the enclosure.
 - Make sure that the horizontal top of the solid box baffle is even with the bottom edge of the upper exhaust vent [24].
 - Make sure that the vertical top edge of the solid box baffle is 1/2 inch or less [170] below and 1/4 inch or less behind [15] the lower rear corner of the condenser [11].



Art01787

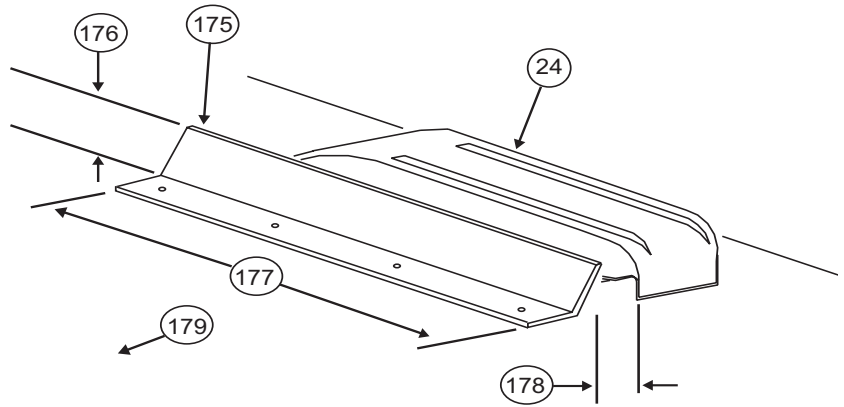
Install an Air Deflector (optional)

If the floor plan has the refrigerator on the rear wall of the vehicle, obey all of the vent installation as written in the "Install the Lower and Upper Vents" section of this manual. Install the roof exhaust vent so that:

- The sloped end of the roof exhaust vent is toward either side of the vehicle.
- The roof exhaust vent is perpendicular to the air flow over the vehicle.

Install an air deflector on the roof of the vehicle between the roof exhaust vent and the front of the vehicle (See Art01767).

- Make sure that the air deflector [175] is between the roof exhaust vent [24] and the front of the vehicle [179].
- Make sure that the air deflector is at least 3 1/2 inches high [176].
- Make sure that the overall width [177] of the air deflector is 32 7/8
- Make sure that the distance between the air deflector and the roof exhaust vent is between 2 and 3 inches [178].

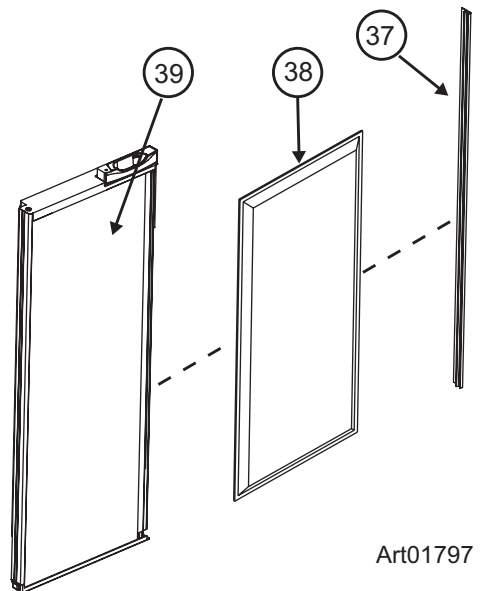


Art01767

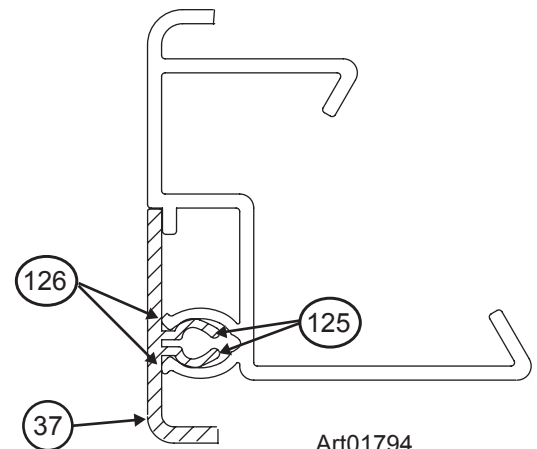
Install Decorative Door Panels (non-metal door models)

NOTE: The doors are made to accept decorative panels. The decorative panels must be 3/16 inch or less in thickness. Install the decorative door panels in the refrigerator doors before installing the refrigerator in the vehicle.

1. Make two upper door panels that are 16 13/64 inches wide x 18 3/8 inches high:
 - Raised panels must be centered on each door and no larger than 15 11/32 inches wide x 17 17/32 inches high.
2. Make two lower door panels that are 16 13/64 inches wide x 41 13/64 inches high:
 - Raised panels must be centered on each door and no larger than 15 11/32 inches wide x 40 11/32 inches high.
3. Install the decorative door panels:
 - Pull the panel retainer [37] off of each door [39] (See Art01797).
 - Push a decorative door panel [38] into the slots of each door.
 - Make sure that each panel retainer is correctly positioned and push the curved snap [125] of the panel retainer [37] inside of the curved snap [126] of the door (See Art01794).



Art01797



Art01794

Install the Refrigerator

When manually (by hand) or mechanically (by hoist , lift truck, etc.) handling a refrigerator that is not installed in an enclosure, the best method is while the refrigerator is in its original packaging.

If the refrigerator is not in its original packaging, use the sides, the edges, and/or the corners of the refrigerator cabinet as the primary load carrying points.

There are two (2) areas of the cooling unit that may be used as handling points [122] (See Art01754). These handling points may be used only to tilt or to steady the refrigerator. When tilting the refrigerator, Norcold recommends that you have another person hold the refrigerator cabinet.

CAUTION: Do not lift or drag the refrigerator by using either or both of the two (2) handling points. Damage to the refrigerator cooling unit can result.

- Put the refrigerator completely into the enclosure:
 - Push below the center of the refrigerator.
 - Pull using a wire-form tool hooked into mounting holes [121] of the refrigerator frame (See Art01753).

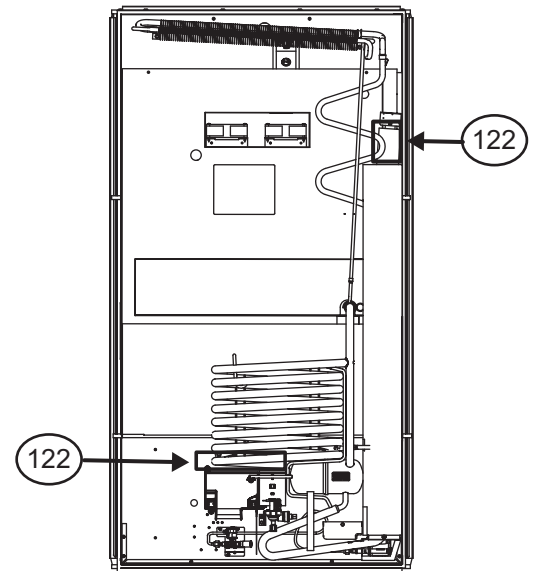
WARNING: Make sure the foam combustion seal is not broken, is completely around the refrigerator mounting flanges, and is between the mounting flanges and the wall of the enclosure. If the seal is not complete, exhaust fumes can be present in the living area of the vehicle. The breathing of exhaust fumes can cause dizziness, nausea, or in extreme cases, death.

1. Put the refrigerator in position:

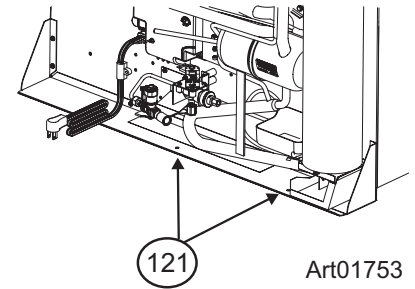
WARNING: Make sure the combustion seal is not broken, is completely around the refrigerator mounting flanges, and is between the mounting flanges and the wall of the enclosure. If the seal is not complete, exhaust fumes can be present in the living area of the vehicle. The breathing of exhaust fumes can cause dizziness, nausea, or in extreme cases, death.

NOTE: Be careful when you put the refrigerator into position. The refrigerator has vacuum insulating panels on the top and sides. If punctured, these panels lose insulation value which decreases the cooling performance of the refrigerator. It is not necessary to remove the protective packaging from the doors of metal door models to install or operate the refrigerator.

- Make sure that the flue cap is not pushed down against the top of the flue tube.
- Push the refrigerator into the enclosure so the side trim is approximately one inch from the wall.



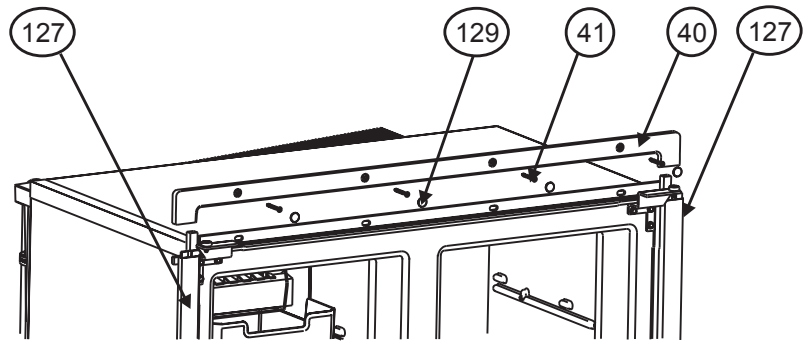
Art01754



Art01753

2. Make sure that the side trim pieces [127] are in the correct position (See Art01649 and Art01650):

- Slide both side trim pieces up or down as necessary so that the ends of the side trim pieces are fully covered by the upper and lower trim pieces [40 and 128].
- Pull the left hand side trim piece toward the left as far as it will go so that there is no gap between the edge of the side trim piece and the upper and lower trim pieces.
- Pull the right hand side trim piece toward the right as far as it will go so that there is no gap between the edge of the side trim piece and the upper and lower trim pieces.
- Push the refrigerator completely into the enclosure.

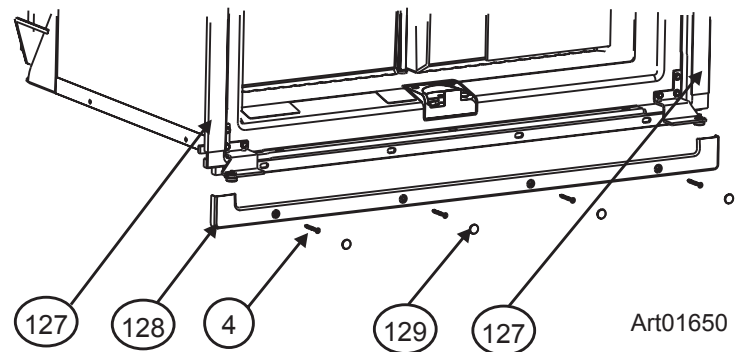


Art01649

3. Install the mounting screws and trim:

- Put the upper trim piece [40] onto the front of the refrigerator (See Art01649).
- Put the four screws [41] through the mounting flange on the front of the refrigerator and into the enclosure wall.
- Put a cap plug [129] on each of the screw holes in the upper trim piece on the front of the refrigerator.

WARNING: Do not omit the lower trim piece. This piece is part of the combustion seal.



Art01650

Push the lower trim piece [128] onto the front of the refrigerator (See Art01650).

- Put the four screws [41] through the mounting flange on the front of the refrigerator and into the enclosure wall.
- Put a cap plug [129] on each of the screw holes in the lower trim piece on the front of the refrigerator.
- Put two or more screws through the mounting flange on the rear of the refrigerator and into the floor.

4. On metal door models only, you may wish to remove the protective packaging from the doors.

NOTE: Be careful to not scratch or dent the metal doors. Do not use any abrasive cleaners, chemicals, or scouring pads because they can damage the finish of the doors.

Connect the Electrical Components

This refrigerator operates on these electrical sources. Operation out of these limits may damage the refrigerator's electrical circuit parts and will void the warranty.

AC Operation	120 volts AC voltage	(132 volts max. - 108 volts min.)
	12 volts DC control voltage	(15.4 volts max. - 10.5 volts min.)

WARNING: The rear of the refrigerator cooling system has hot surfaces and sharp surfaces that can damage electrical wiring. Make sure that there is a good clearance between all electrical wiring and the cooling system of the refrigerator. Position any electrical wiring within the refrigerator enclosure opposite the burner side of the refrigerator. Do not put any electrical wiring through the roof exhaust vent. Failure to correctly position electrical wiring can result in electrical shock or fire.

Connect the 120 volts AC supply:

WARNING: Connect the AC power cord(s) only to a grounded three-prong receptacle. Do not remove the round ground prong from the AC power cord of the refrigerator or the ice maker (optional). Do not use a two prong adapter or an extension cord with either AC power cord. Operation of the refrigerator without correct ground can cause dangerous electrical shock or death if you are touching the metal parts of the refrigerator.

Put the AC power cord(s) into a grounded three-prong receptacle:

- Make sure the receptacle is positioned within easy reach of the lower intake vent.
- Make sure the power cord(s) does not touch the burner cover, the flue pipe, or any hot component that could damage the insulation of the power cord.

Connect the 12 volts DC supply:

The refrigerator controls operate on 12 VDC power. As the distance from the vehicle battery to the refrigerator increases, the correct AWG wire size and fuse size also increases. If the wire size is too small for the distance, a voltage drop occurs.

Use a minimum of 18 AWG wire and a maximum 6 Amp fuse. If the wire size is larger than the min. size, use the correct fuse per RVIA A119.2 standard or local codes.

1. Install a fuse in DC power supply wires between the battery and the refrigerator:

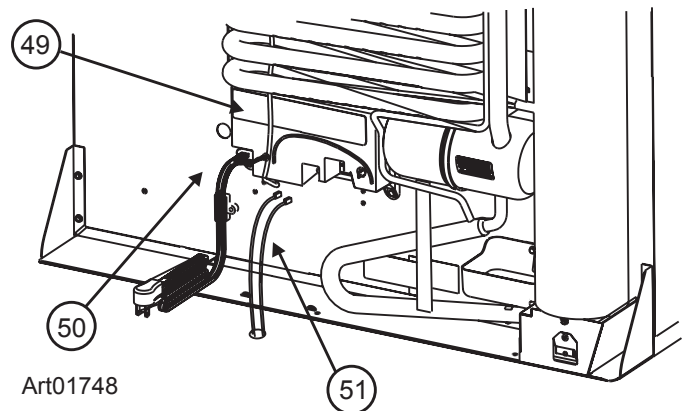
- Put fuse as close to the battery as possible.

2. Connect the DC power supply wires (See Art01748):

- Attach a 1/4 inch Quick Connect terminal to each DC power supply wire.

NOTE: Do not use the chassis of the refrigerator or the vehicle frame as one of the conductors.

- Connect the positive DC power wire [50] to the terminal on the power board [49] that is marked 12VDC.
- Push the DC ground wire [51] onto the terminal of the power board [49] that is marked GND.
- Make sure each DC power supply wire is on the correct polarity terminal.



Connect the Propane Gas Components

This refrigerator operates on propane gas at a pressure of 11 inches Water Column Propane.

The controls operate on 12 volts DC (10.5 volts min. - 15.4 volts max.). Operation out of these limits can damage the refrigerator electrical circuit parts and will void the warranty.

Connect the propane gas supply system:



WARNING: Be very careful when working on or near the propane gas system.

- Do not smoke, or use an open flame near the propane gas system.
- Do not use an open flame to examine for leaks.
- Do not connect the refrigerator to the propane gas tank without a pressure regulator between them.
- To avoid a propane gas leak, always use two wrenches to tighten or loosen the propane gas supply line connections.
- Leaking propane gas can ignite or explode and result in dangerous personal injury or death.

Connect the gas supply line to the refrigerator:

- Make sure that all tubing and fittings obey all local, state, and national codes about size and type.
- Make sure that all flexible metal connectors obey the current CAN1-6.10 Standard.
- Make sure that the materials used for the gas supply line obey both the current ANSI A 119.2 (NFPA 1192) and CSA Z240 Standards on Recreational Vehicles. Norcold recommends the use of 3/8 inch copper tubing as the gas supply line and requires a 3/8 inch SAE (UNF 5/8-18) male flare fitting as the connection to the refrigerator.
- Put the propane gas supply line up through the floor of the enclosure.
- Make sure the hole through the floor is large enough allow clearance for the gas supply line.
- Put a and abrasion.
- To prevent vibration and abrasion, make sure that the gas supply line is not against anything in the enclosure.
- Attach the gas supply line to the bulkhead fitting of the refrigerator.

Examine the propane gas supply line for leaks:



WARNING: Do not allow the leak detecting solution to touch the electrical components. Many liquids are electrically conductive and can cause electrical shorts and in some cases, fire.

Use a leak detecting solution to examine the gas supply line and all propane gas connections for leaks.

If you use compressed air for the test:

- The pressure of the compressed air at the manual shut off valve of the refrigerator must not be more than 1/2 psig (14 inches Water Column).
- If the pressure of the compressed air is more than 1/2 psig (14 inches Water Column), remove the gas supply line from the bulkhead fitting of the refrigerator before the test.
- If the pressure of the compressed air is equal to or less than 1/2 psig (14 inches Water Column), close the manual shut off valve of the refrigerator before the test.

Connect the Ice Maker (optional)

The ice maker □
ice maker, one can not be added to the refrigerator at a later time.

The refrigerator installer must connect a cold water supply line to the solenoid valve at the rear of the refrigerator. The following are necessary to connect the icemaker:

- 1/4 in. OD copper tubing for the water supply line.

OR

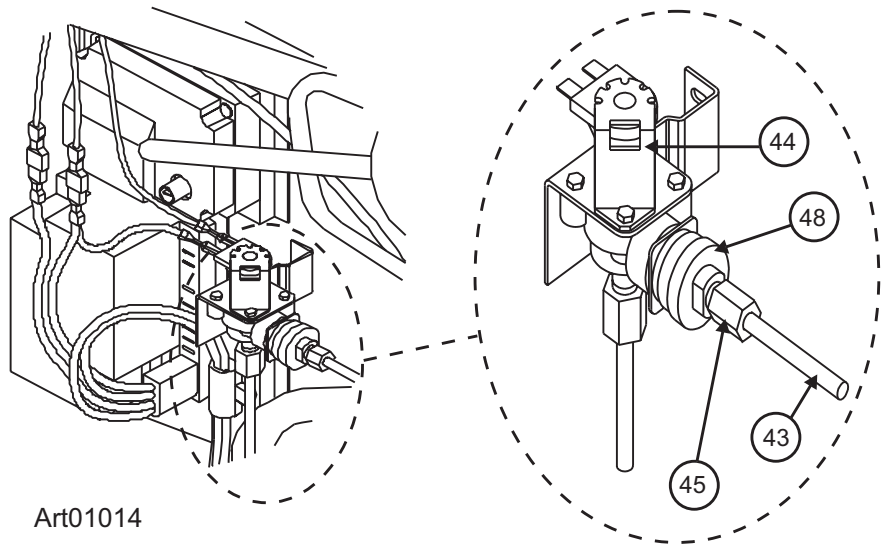
- 1/4 in. OD plastic tubing for the water supply line.
- 1/4 in. shut off valve in the water supply line. This should be easily accessible through the lower intake vent.

Connect the water supply line:

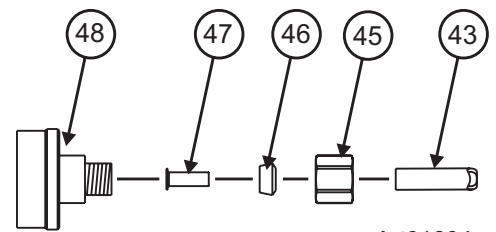
Install a 1/4 in. OD water supply line [43] from the water shut off valve of the vehicle to the solenoid water valve [44] at the rear of the refrigerator (See Art01014):

NOTE: A brass compression nut [45], a brass sleeve [46], a plastic sleeve [46], and a brass insert [47] are supplied and attached to the rear of the refrigerator (See Art01604).

- Put the compression nut and then the sleeve onto the water supply line [43].
 - For copper tubing, use the brass sleeve.
 - For plastic tubing, use the plastic sleeve [46].
 - For plastic tubing with .040 in. wall thickness, also use the brass insert [47].
- Flush the water supply line until the water is clear.
- Put the tubing into the adapter [48] until it is against the stop of the adapter.
- Tighten the compression nut by hand (hard finger tight).
- Using two wrenches, tighten the compression nut 1 ½ to 2 turns.
- Open the water shut off valve of the vehicle.
- Examine the connections for leaks.



Art01014



Art01604

Ignition and Start Up

Before ignition or start up of the refrigerator:

- Make sure the air flow in the lower intake vent, through the refrigerator coils and condenser, and out the upper exhaust vent is not blocked or decreased.
- Make sure there are no combustible materials in or around the refrigerator.

NOTE: If the gas does not ignite in 30 seconds, the gas safety valve of the refrigerator automatically closes. The controls either select a different energy source or “no” “FL” appears in the center display and you will hear an alarm sound. This means that the gas did not ignite.

If the gas does not ignite after several attempts, refer to the “Fault Codes” section of this manual.

Set the controls to automatic mode operation:

- Push the ON / OFF button [34] to turn the refrigerator on (See Art01333).

- Push and hold the MODE button [31] until the letters “AU” show in the center display and then release.

- If 120 volts AC is available to the refrigerator:

- The letters “AU” and then “AC” show in the center display.

- After ten seconds, the “AU” and then “AC” go off and only a green power ON light remains.

- This means that the refrigerator is operating on AC electric.

- If 120 volts AC is not available to the refrigerator:

- The letters “AU” and then “AC” show in the center display.

- After five seconds, the “AU” and then “LP” show in the center display.

- After ten seconds, the “AU” and the “LP” go off and only a green power ON light remains.

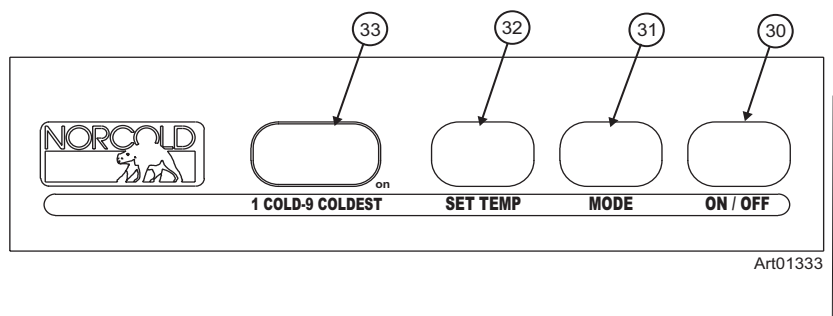
- This means that the refrigerator is operating on propane gas.

- If neither 120 volts AC nor propane gas is available to the refrigerator:

- The fault codes “no” “AC” and then “no” “FL” show in the center display and an audible alarm sounds.

If an energy source is available to the refrigerator, but is not operating correctly:

- A fault code shows in the center display.
- The refrigerator controls try to change to a less efficient energy source.



- If a less efficient energy source is not available:
 - An audible alarm starts.
 - A fault code shows in the center display.
 - Refer to the "Fault Codes" section of this manual.

Set the controls to manual mode operation:

- Push the ON / OFF button to turn the refrigerator on.
- Push and hold the MODE button until the letters "AC" show in the center display and then release.
 - After ten seconds, the "AC" goes off and only a green power ON light remains.
- Push and hold the MODE button until the letters "LP" show in the center display and then release.
 - After ten seconds, the "LP" goes off and only a green power ON light remain

Do a test of the gas safety valve:

1. Start up the refrigerator in the manual mode operation.
2. Open the lower intake vent.
3. Remove one wire from the solenoid of the gas safety valve at the rear of the refrigerator.
4. Within 30 seconds, the flame should extinguish. This means that the gas safety valve is operating correctly.
5. Put the wire back on the solenoid of the gas safety valve.
6. Close the lower intake vent.

Shut down - all models:

To shut down the refrigerator, push and hold the ON/OFF button for one second.

Fault Codes

Fault Codes	Fault Code Meaning	Corrective Actions
No display.	DC voltage is unavailable to the refrigerator control panel or the refrigerator is OFF.	Check: <ul style="list-style-type: none"> - That the refrigerator is ON. - That the battery charging equipment of the vehicle is operational. - That the AC/DC converter is operational (if applicable). - See your dealer or authorized Norcold Service Center.
“ dr “ Audible alarm also.	The door was open for more than 2minutes.	Close the door.
“ no “ “ FL “ Audible alarm also.	The burner did not ignite or re-ignite.	Check: <ul style="list-style-type: none"> - That the valve of the propane gas tank(s) is open. - That the propane gas is at the correct pressure. - That the manual shut off valve of the refrigerator is open. - That there is no air in the propane gas supply line. See “Removing air from the propane gas supply lines” section of this manual. - See your dealer or authorized Norcold Service Center.
“ no “ “ AC “ Audible alarm also.	AC voltage is unavailable to the refrigerator control.	Check: <ul style="list-style-type: none"> - That the refrigerator plugged into a serviceable outlet. - That the fuse or circuit breaker of the vehicle is intact. - That the vehicle generator is operational (if applicable). - See your dealer or authorized Norcold Service Center.
“ dc “ “ LO “	DC voltage to the refrigerator control panel is too low.	Check: <ul style="list-style-type: none"> - That the battery charging equipment of the vehicle is operational. - That the AC/DC converter is operational (if applicable). - See your dealer or authorized Norcold Service Center.
“ LI “ “ oP “	The high temperature limit switch is open.	This is not owner serviceable. See your dealer or authorized Norcold Service Center.
Temperature number flashes when SET TEMP button is pushed.	The refrigerator is operating on the “Back Up Operating System”.	This is not owner serviceable. See your dealer or authorized Norcold Service Center.
“ AC “ “ rE “ Audible alarm also.	This is a fault within the refrigerator controls.	This is not owner serviceable. See your dealer or authorized Norcold Service Center.
“ AC “ “ HE “ Audible alarm also.	This is a fault within the refrigerator controls.	This is not owner serviceable. See your dealer or authorized Norcold Service Center.
“ Sr “ Audible alarm also.	This is a fault within the refrigerator controls.	This is not owner serviceable. See your dealer or authorized Norcold Service Center.

Art01797



Manuel d'installation

pour la série 121X de réfrigérateurs pour les véhicules de loisir

La lettre « X », dans les numéros de modèle ci-dessus, représente une lettre ou un chiffre correspondant à une option de réfrigérateur.



MISE EN GARDE : Une faute d'installation, de réglage, de modification, de réparation ou d'entretien peut causer des préjudices corporels ou matériels. Se reporter à ce manuel. Pour obtenir de l'assistance ou des informations supplémentaires, s'adresser à un installateur qualifié, au service après-vente ou à la compagnie de gaz.

SÉCURITÉ PERSONNELLE

Ne pas conserver ni utiliser d'essence ou d'autres liquides inflammables, ou dont les vapeurs peuvent s'enflammer, à proximité de cet appareil ou de tout autre appareil électroménager.

SÉCURITÉ PERSONNELLE

Si cela sent le gaz :

1. Ouvrir les fenêtres.
2. Ne pas toucher à des boutons électriques.
3. Éteindre toute flamme nue.
4. Appeler tout de suite la compagnie de gaz.



MISE EN GARDE : NE PAS installer ce réfrigérateur sous le pont dans un bateau. Ne pas installer ce réfrigérateur dans une cabine fixe ou autre zone habitable intérieure. Pour fonctionner correctement et sans danger, ce réfrigérateur doit utiliser uniquement un système à prise d'air extérieur et à ventilation aspirante conçu et agréé par NORCOLD. Toute autre méthode de ventilation pourrait libérer des gaz d'échappement à combustion mortels et (ou) des fumées explosives de gaz propane dans la zone habitable et (ou) sous le pont.

French

Table des matières

Signalisation de la sécurité.....	2
Consignes relatives à la sécurité.....	3
Certification et codes à respecter.....	3
Consignes relatives à la ventilation.....	4
Dimensions importantes du réfrigérateur.....	5
Assemblage de l'enceinte destinée au réfrigérateur.....	6
Installation de la prise d'air inférieure.....	6
Installation facultative.....	7
Installation de la bouche d'échappement supérieure du toit.....	8
Installation de déflecteurs pour une bouche d'échappement supérieure de toit.....	8
Enceintes verticales.....	8
Enceintes verticales décalées.....	10
Installation d'une bouche d'échappement supérieure de paroi latérale.....	12
Installation de déflecteurs pour une bouche d'échappement supérieure de paroi latérale.....	12
Installation d'un déflecteur d'air (facultatif).....	14
Installation des panneaux décoratifs de porte (modèles à portes non métalliques).....	14
Installation du réfrigérateur.....	15
Connexion des composants électriques.....	17
Branchement à l'alimentation 120 V c.a.....	17
Branchement à l'alimentation 12 V c.c.....	17
Branchement des éléments du gaz propane.....	18
Raccordement du système d'alimentation en gaz propane.....	18
Recherche de fuites dans le système d'alimentation en gaz propane.....	18
Raccordement de la machine à glaçons (facultatif).....	19
Branchement du tuyau d'arrivée d'eau.....	19
Allumage et mise en marche.....	20
Réglage des commandes pour le fonctionnement en mode automatique.....	20
Réglage des commandes pour le fonctionnement en mode manuel.....	21
Effectuer un test de la soupape de sûreté du gaz.....	21
Mise à l'arrêt.....	21
Codes d'anomalie.....	22

Signalisation de la sécurité

Lire soigneusement ce manuel et en assimiler le contenu avant d'installer le réfrigérateur.

Pren

sy

termes de signalement pour apprendre à les différencier. C'est une question de sécurité personnelle.



MISE EN GARDE : Ce terme de signalement indique un danger qui, s'il n'est pas pris en compte, peut causer une blessure grave, la mort ou d'importants dégâts matériels.



AVERTISSEMENT : Ce terme de signalement indique un danger qui, s'il n'est pas pris en compte, peut causer une blessure légère ou d'importants dégâts matériels.

Consignes relatives à la sécurité



MISE EN GARDE :

- Ce réfrigérateur peut pas être modifié pour utiliser d'autres carburants (gaz naturel, butane, etc.).
- Une fois installés, les matériaux doivent être protégés.
- Observer les consignes de ce manuel pour installer des bouches de ventilation (prise d'air et échappement).
- Ne pas installer le réfrigérateur à même une moquette ou un tapis. Le placer sur un panneau de métal ou de bois s'étendant au moins sur toute sa largeur et toute sa profondeur.
- Ne pas laisser quoi que ce soit toucher le système frigorifique du réfrigérateur.
- Le gaz propane est susceptible de s'enflammer et de causer une explosion et, par conséquent, des dégâts matériels et des blessures.
Le tuyau d'arrivée de gaz propane. Toujours se servir de deux clés pour serrer ou desserrer les raccords du tuyau d'arrivée de gaz propane.
- S'assurer de la conformité de l'installation électrique à tous les codes applicables. Voir la section « Certification et codes à respecter ».
- Ne pas contourner ou modifier les composants ou fonctions électriques du réfrigérateur.
- Ne pas vaporiser de liquides près des prises électriques, des raccords ou des pièces du réfrigérateur. Nombre de liquides sont conducteurs et peuvent poser des risques de décharge électrique, de court-circuit, voire même d'incendie.
- Le système frigorifique du réfrigérateur est sous pression. Ne pas essayer de réparer ou recharger un système frigorifique défectueux.
- Le système frigorifique contient du chromate de sodium. L'inhalation de certains composés du chrome peut causer le cancer. Le système frigorifique contient des produits chimiques qui peuvent causer de graves brûlures à la peau et aux yeux, s'enflammer et brûler avec une flamme intense. Ne pas recourber, faire tomber, souder, déplacer, percer, perforer ou heurter le système frigorifique.



AVERTISSEMENT :

- L'arrière du réfrigérateur présente des arêtes vives et des angles coupants. Pour éviter de se couper ou de s'écorcher lors du travail sur le réfrigérateur, faire attention et porter des gants résistant aux coupures.
- S'assurer que le réfrigérateur est entreposé dans un endroit où il n'est pas exposé aux intempéries.

Certification et codes à respecter

Ce réfrigérateur est homologué par la section International de l'ACNOR comme conforme à la dernière édition des normes ANSI Z21.19 / CAN 1.4 en ce qui concerne l'installation dans des caravanes résidentielles ou véhicules de loisir.

Pour que la garantie limitée NORCOLD puisse entrer en vigueur, l'installation doit être conforme à ces normes et au présent « Manuel d'installation ». L'installation doit respecter les éléments suivants, lorsqu'ils sont applicables :



Art01290

Aux États-Unis et au Canada :

- Les codes locaux, ou, à défaut, le code National Fuel Gas Code, les normes ANSI Z223.1/NFPA 54, le code Natural Gas and Propane installation Code, la norme ACNOR B149.1, le code ANSI A119.2 Recreational Vehicles Code et les normes ACNOR Z240 RV Series, Recreational Vehicles.
- L'installation des maisons préfabriquées (caravanes résidentielles) doit se conformer à la norme Manufactured Home Construction and Safety Standard, titre 24 CFR, partie 3280 [anciennement dénommée Federal Standard for Mobile Home Construction and Safety, titre 24 (partie 280), et à la norme à jour ACNOR Z240.4, Gas-equipped Recreational Vehicles and Mobile Housing.
- Si un terre électrique conforme aux codes locaux ou, à défaut de tels codes, conforme au code National Electrical code et aux normes ANSI/NFPA 70, ou au Code canadien d'électricité, ACNOR C22.2. parties 1 et 2.

Tous

types et dimensions. Ces éléments doivent également être conformes à la norme à jour NFPA 501C section 2-4, et, au Canada, à la norme à jour CAN 1-6.10.

Consignes relatives à la ventilation



MISE EN GARDE : Conditions à satisfaire par l'installation :

- Il doit y avoir un apport d'air frais suffisant pour la combustion.
- L'espace de séjour doit être complètement isolé du système de combustion du réfrigérateur.
- Le conduit de fumée d'échappement doit bénéficier d'une ventilation totale et sans restriction car, en mode de fonctionnement au gaz, du monoxyde de carbone peut en sortir. L'inhalation de fumées contenant du monoxyde de carbone peut causer des vertiges, des nausées ou, dans les cas extrêmes, la mort.
- S'assurer de l'isolation complète du réfrigérateur par rapport à ses composants produisant de la chaleur en utilisant un jeu approprié de déflecteurs et de panneaux.

U

et la bouche d'échappement exactement comme décrit dans ce manuel. Toute autre méthode d'installation annulerait à la fois l'homologation et la garantie d'usine du réfrigérateur.

Le bas de l'

dessous. Ainsi, s'il y a fuite du gaz propane, il s'échappe à l'extérieur au lieu de s'accumuler au niveau du sol.

En vert

et le bas du réfrigérateur. Alors qu'aucun dégagement maximum n'est spécifié par l'homologation, le réfrigérateur ne peut fonctionner correctement que si les dégagements maximum suivants sont respectés :

Bas	0 po min.	0 po max.
Chaque côté	0 po min.	1/2 po max.
Haut	0 po min.	1/4 po max.
Arrière	0 po min.	1 po max.

Ces dég

pour une bonne

il élimine l'excédent de chaleur des composants du réfrigérateur et il sort par la bouche d'échappement supérieure.

Le

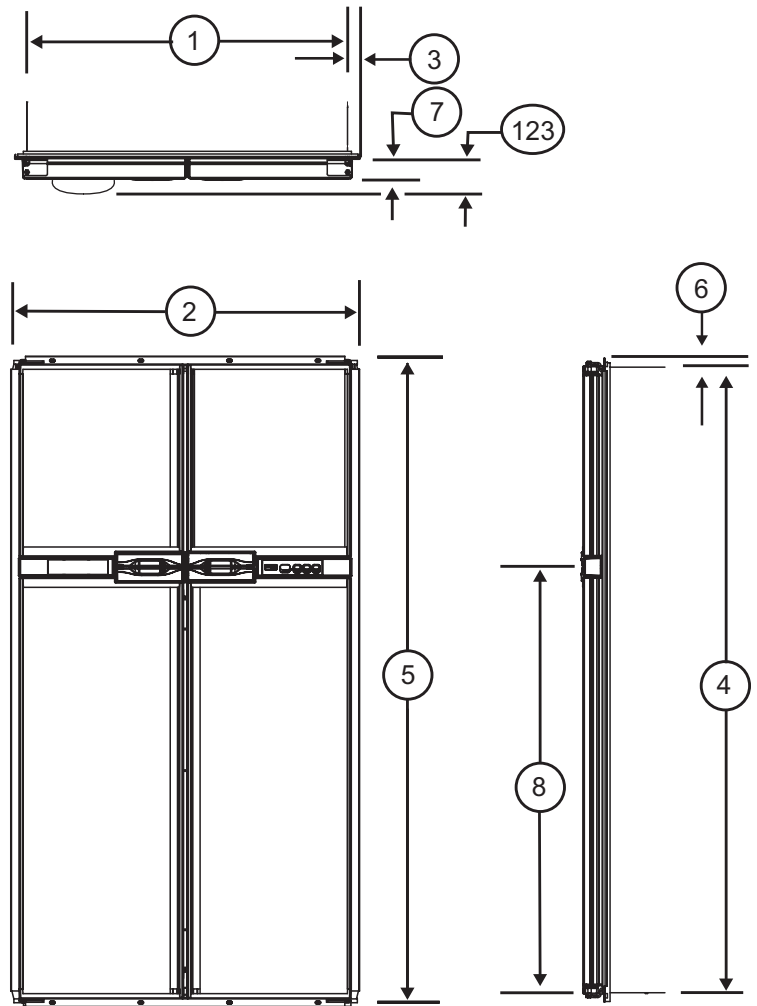
seulement quand les commandes du réfrigérateur sont activées. Ces ventilateurs s'arrêtent quand la température des ailettes du condenseur au thermostat est d'environ 115 °F ou moins. Même avec ces ventilateurs, si le flux d'air est obstrué ou restreint, le réfrigérateur ne fera pas son travail comme il faut.

Le système de ventilation de chaque modèle NORCOLD est homologué par la section International de l'ACNOR. Installer uniquement les bouches de ventilation homologuées qui sont spécifiées dans ce manuel.

Dimensions importantes du réfrigérateur

Ces dimensions importantes du réfrigérateur sont données à titre de référence en cas de besoin (voir Art01734).

Largeur de la caisse du réfrigérateur sans garniture - 32,4 po.....	1
Largeur totale du réfrigérateur avec garniture - 35,0 po.....	2
Distance entre la caisse du réfrigérateur et la garniture latérale - 1,30 po.....	3
Hauteur de la caisse du réfrigérateur sans garniture - 63,2 po.....	4
Hauteur totale du réfrigérateur avec garniture - 65,1 po.....	5
Distance entre la caisse du réfrigérateur et la garniture supérieure/inférieure - 0,90 po	6
Distance entre la paroi de l'enceinte et les charnières - 1,92 po	7
Distance entre la caisse du réfrigérateur et le centre des poignées - 40,5 po	8
Distance entre la paroi de l'enceinte et la porte (avec distributeur) - 4,47 po.....	123



Art01734

Assemblage de l'enceinte destinée au réfrigérateur

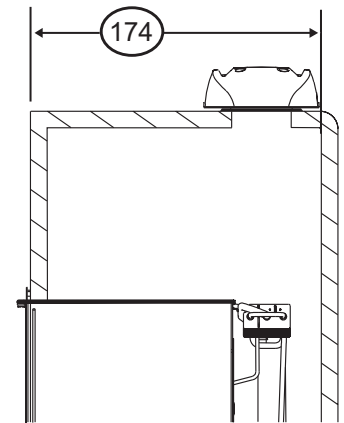
1. Vérifier que l'étagère de l'enceinte est solide et horizontale. Conditions à satisfaire par l'étagère de l'enceinte :

- il doit s'agir d'un panneau métallique ou de bois s'étendant au moins sur toute la largeur et toute la profondeur de l'enceinte.
- elle doit pouvoir supporter le poids du réfrigérateur et de son contenu.
- elle doit être de niveau pour maintenir l'alignement de la porte.

2. S'assurer qu'il n'y a pas de sources de chaleur adjacentes, telles que bouches de ventilation de chauffage ou de chauffe-eau.

3. S'assurer que l'enceinte est de 63,25 à 63,38 po de hauteur x 32,69 à 32,82 po de largeur x 24 po de profondeur.

REMARQUE : Mesurer la profondeur de l'enceinte [174] depuis la face intérieure de l'enceinte à l'intérieur de la paroi arrière (voir Art01763).



Art01763

4. S'il y a plus de 1/2 po entre un côté du réfrigérateur et l'intérieur de l'enceinte :

- Remplir l'espace d'isolant (en natte) en fibre de verre ou ajouter un déflecteur pour éliminer le dégagement.

- L'arrière de l'isolant en natte doit être entre 18 et 19 po de la face de l'enceinte.

- devient mouillé et s'il y a du vent.

, s'il

5. La face avant de l'enceinte doit être perpendiculaire à l'étagère pour créer un joint de combustion.

6. L'ouverture de la découpe doit être carrée et perpendiculaire à l'étagère de l'enceinte pour maintenir l'alignement de la porte.

7. En se servant du tableau suivant, décider des tailles de bouches de ventilation et de découpes (D) à utiliser :

Bouche de ventilation homologuée	Réf.	Hauteur D	Largeur D
Came d'échappement supérieure du toit	622293	S/O	S/O
	625240	S/O	S/O
Bouche d'échappement supérieure du toit	616319	24 po	5 1/4 po
	625161	24 po	5 1/4 po
Bouche d'échappement supérieure en plastique et prise d'air inférieure	621156	13 3/4 po	21 1/2 po
Prise d'air inférieure de coin métallique	616010	9 3/4 po	9 3/8 po

Installation de la prise d'air inférieure

Poser la prise d'air inférieure (voir Art01597) :

REMARQUE : La prise d'air inférieure sert également d'ouverture d'accès aux composants à l'arrière du réfrigérateur.

MISE EN GARDE : Veiller à ce que le bas de l'ouverture de la prise d'air inférieure soit de niveau avec le sol, ou juste en dessous. Ainsi, s'il y a fuite du gaz propane, il s'échappe à l'extérieur au lieu de s'accumuler au niveau du sol.

- Veiller à ce que le bas de l'ouverture de la prise d'air inférieure [9] soit de niveau avec le sol, ou juste en dessous.

- Vei .

Installation facultative

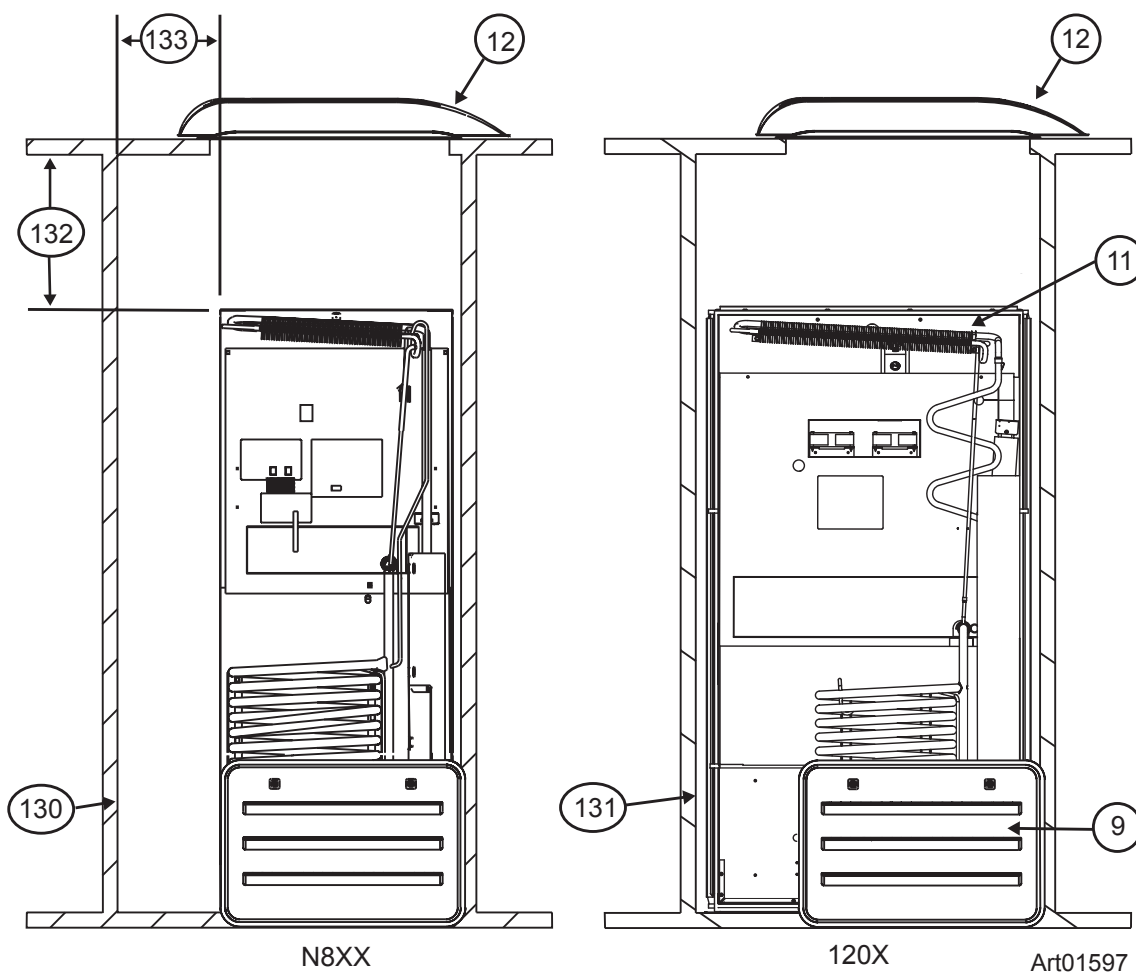
□ réfrigérateurs Norcold modèle 121X.

Pour □
Art01597) :

- Augmenter la hauteur de l'enceinte de 3 3/8 po [132].
- Augmenter la largeur de l'enceinte de 8 13/16 po [133].
- Veiller à ajouter la largeur supplémentaire du côté gauche de l'enceinte (en regardant l'arrière du réfrigérateur).

Poser les déflecteurs nécessaires seulement comme décrit à la section « Installation des bouches de ventilation supérieure et inférieure » de ce manuel.

Les emplacements de l'alimentation 12 V c.c., de l'alimentation 120 V c.a. et du tuyau d'arrivée de gaz propane ne changent pas.



Installation d'une bouche d'échappement supérieure de toit

1. Installer la bouche d'échappement supérieure du toit.

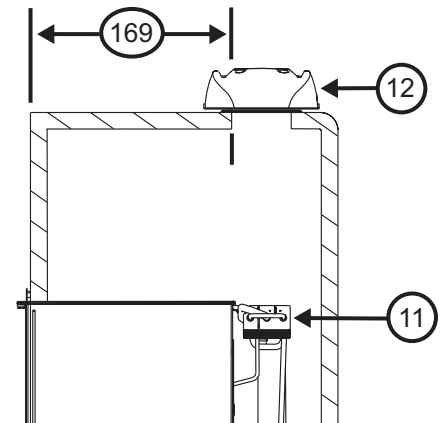
AVERTISSEMENT : S'assurer de l'absence de sciure, de matériau d'isolation ou d'autres débris de construction sur le réfrigérateur ou dans l'enceinte. Les débris peuvent poser un danger de combustion et empêcher le fonctionnement correct du réfrigérateur.

REMARQUE : Serrer les vis de la came d'échappement supérieur du toit à 10 lb-po max. S'assurer également que l'écoulement d'air autour de la came d'échappement supérieure du toit n'est pas partiellement ou totalement restreint par d'autres articles montés sur le toit tels que porte-bagages, climatiseur, panneau solaire, etc.

2. Aligner la bouche d'échappement supérieure du toit au-dessus de la prise d'air inférieure (voir Art01597).

3. Déterminer le type de l'enceinte dans un véhicule utilisant une bouche d'échappement supérieure de toit (voir Art01756) :

- Si la distance depuis la face de l'enceinte au bord intérieur de l'ouverture [169] de la bouche d'échappement du toit est supérieure à 17 1/2 po, installer la bouche d'échappement du toit [12] directement au-dessus du condenseur [11] du réfrigérateur comme pour une enceinte verticale.
- Si la distance depuis la face de l'enceinte au bord intérieur de l'ouverture [169] de la bouche d'échappement du toit est inférieure ou égale à 17 1/2 po, installer la bouche d'échappement du toit [12] vers l'intérieur par rapport au condenseur [11] du réfrigérateur comme pour une enceinte verticale décalée.



Art01756

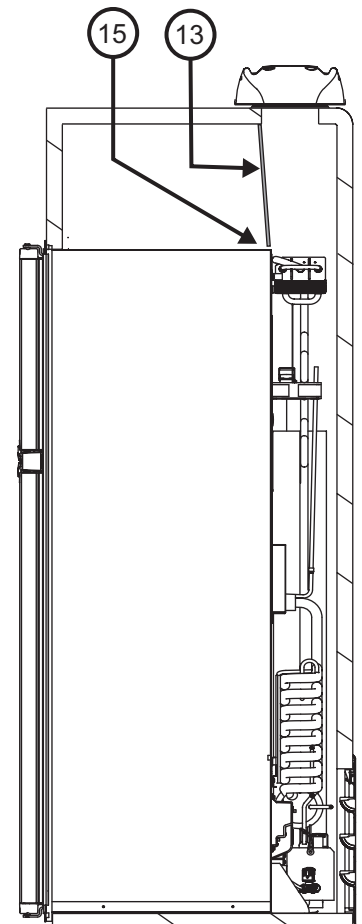
Installation de déflecteurs pour une bouche d'échappement supérieure de toit

AVERTISSEMENT : Veiller à ce que tous les déflecteurs horizontaux fassent toute la largeur de l'intérieur de l'enceinte et soient au bon endroit. Si ce n'est pas le cas, on risque d'obtenir un mauvais refroidissement.

Enceintes verticales :

Si la profondeur de l'enceinte est supérieure ou égale à 24 po et inférieure à 25 po (voir Art01780) :

- Poser un déflecteur supérieur [13].
- Veiller à ce qu'il y ait un dégagement de moins de 1/4 po entre le déflecteur et le haut du réfrigérateur.



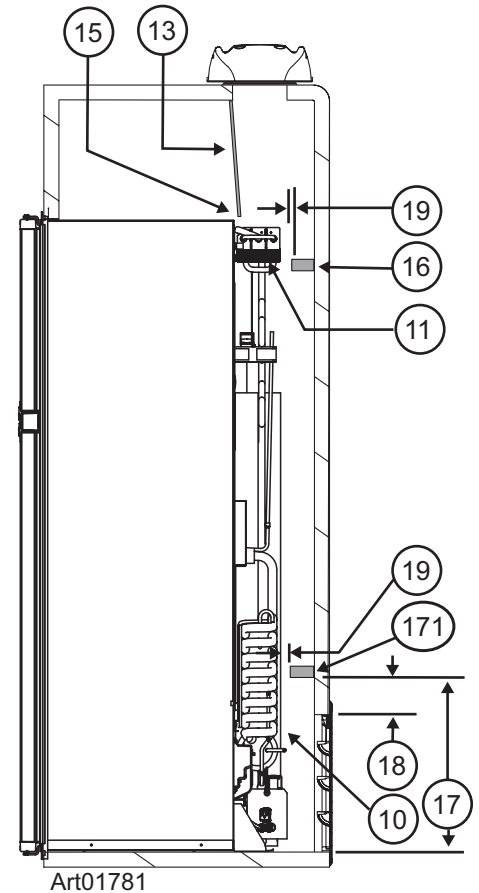
Art01780

Si la profondeur de l'enceinte est supérieure ou égale à 25 po et inférieure à 26 po (voir Art01781) :

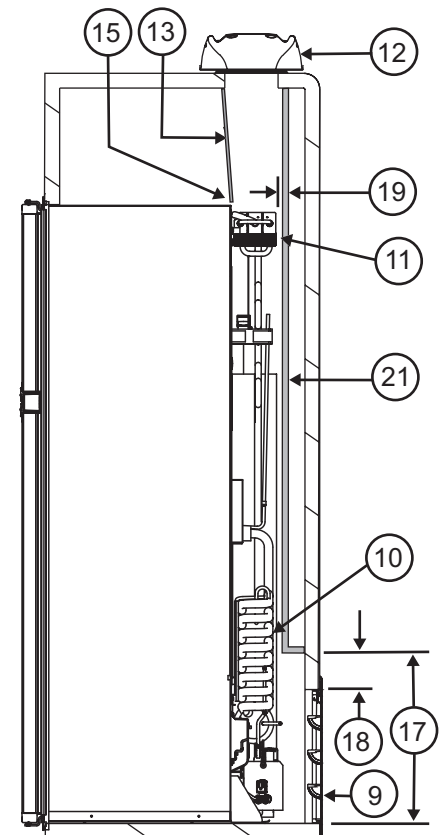
- Poser un déflecteur supérieur [13].
 - Veiller à ce qu'il y ait moins de 1/4 po [15] entre le déflecteur supérieur et le haut du réfrigérateur.
- Poser un déflecteur de condenseur [16] au bord le plus bas du condenseur du réfrigérateur.
 - Veiller à ce qu'il y ait au plus 1 po [19] entre le déflecteur du condenseur et le condenseur.
- Poser un déflecteur absorbeur [171] entre 18 po et 18 1/2 po au-dessus du bas de l'enceinte [17] (4 1/4 po à 4 3/4 po au-dessus du haut de l'ouverture de la prise d'air inférieure) [18].
 - Veiller à ce qu'il y ait au plus 1 po [19] entre le déflecteur absorbeur et l'absorbeur.

Si la profondeur de l'enceinte est supérieure ou égale à 26 po (voir Art01782) :

- Poser un déflecteur supérieur [13].
 - Veiller à ce qu'il y ait moins de 1/4 po [15] entre le déflecteur supérieur et le haut du réfrigérateur.
- Installer un déflecteur en forme de boîte pleine en bois ou en tôle d'aluminium ou galvanisée [21] à l'arrière de l'enceinte.
 - S'assurer que le bas du déflecteur en forme de boîte pleine se trouve entre 18 po et 18 1/2 po au-dessus du bas de l'enceinte [17] (4 1/4 po à 4 3/4 po au-dessus du haut de l'ouverture de la prise d'air inférieure) [18].
 - Veiller à ce que l'arrière du déflecteur en forme de boîte pleine soit perpendiculaire au bas de l'enceinte.
 - Veiller à ce que l'arrière du déflecteur en forme de boîte pleine soit contre le haut de l'enceinte.
 - Veiller à ce que le déflecteur en forme de boîte pleine soit à 1 po ou moins [19] des serpentins [10] et du condenseur [11] du réfrigérateur.
 - Veiller à ce que le déflecteur en forme de boîte pleine fasse toute la largeur de l'intérieur de l'enceinte.



Art01781



Art01782

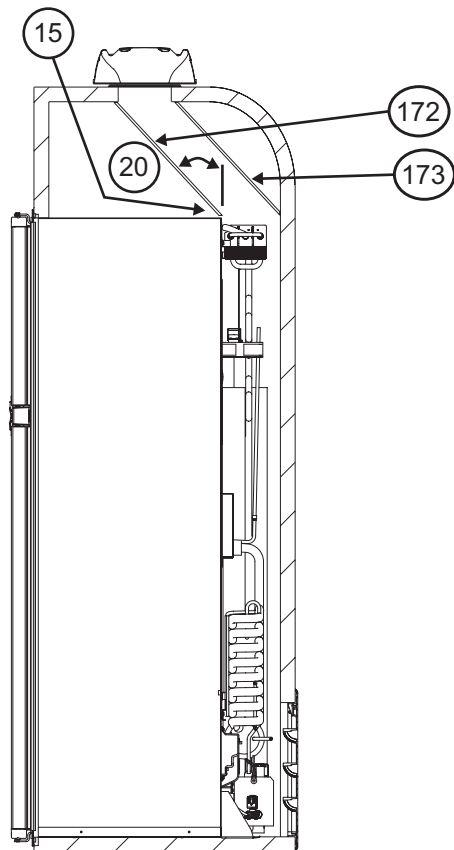
Enceintes verticales décalées :

Si la profondeur de l'enceinte est supérieure ou égale à 24 po et inférieure à 25 po (voir Art01783) :

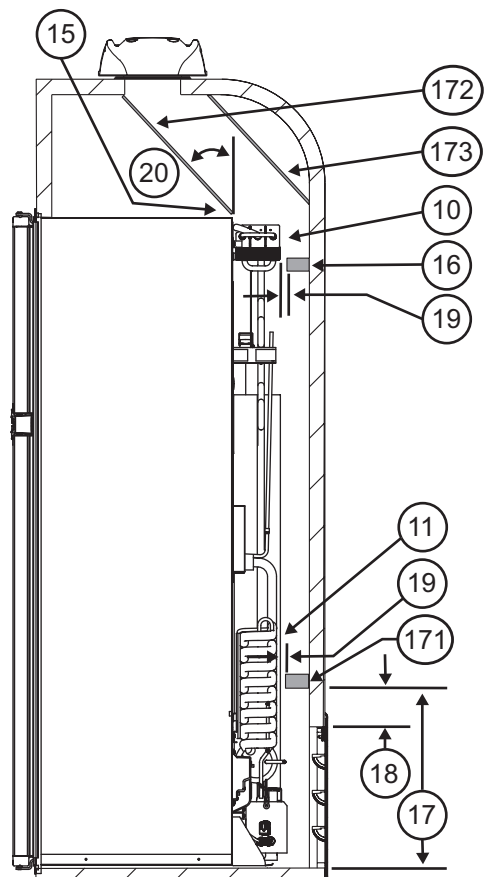
- Poser un déflecteur incliné supérieur [172] entre le bord supérieur arrière du réfrigérateur et le bord intérieur de l'ouverture de la bouche d'échappement supérieure.
 - Veiller à ce qu'il y ait moins de 1/4 po [15] entre le déflecteur incliné supérieur et le haut du réfrigérateur.
 - S'assurer que le déflecteur incliné supérieur n'est pas à plus de 45° de la verticale [20].
- Poser un déflecteur d'angle intérieur [173] entre le bord extérieur de l'ouverture de la bouche d'échappement supérieure et soit la paroi latérale du véhicule soit le déflecteur en forme de boîte pleine (selon la conception du véhicule).

Si la profondeur de l'enceinte est supérieure ou égale à 25 po et inférieure à 26 po (voir Art01784) :

- Poser un déflecteur incliné supérieur [172] entre le bord supérieur arrière du réfrigérateur et le bord intérieur de l'ouverture de la bouche d'échappement supérieure.
 - Veiller à ce qu'il y ait moins de 1/4 po [15] entre le déflecteur incliné supérieur et le haut du réfrigérateur.
 - S'assurer que le déflecteur incliné supérieur n'est pas à plus de 45° de la verticale [20].
- Poser un déflecteur d'angle intérieur [173] entre le bord extérieur de l'ouverture de la bouche d'échappement supérieure et soit la paroi latérale du véhicule soit le déflecteur en forme de boîte pleine (selon la conception du véhicule).
- Poser un déflecteur de condenseur [16] au bord le plus bas du condenseur du réfrigérateur.
 - Veiller à ce qu'il y ait au plus 1 po [19] entre le déflecteur du condenseur et le condenseur.
- Poser un déflecteur absorbant [171] entre 18 po et 18 1/2 po au-dessus du bas de l'enceinte [17] (4 1/4 po à 4 3/4 po au-dessus du haut de l'ouverture de la prise d'air inférieure) [18].
 - Veiller à ce qu'il y ait au plus 1 po [19] entre le déflecteur absorbant et l'absorbeur.



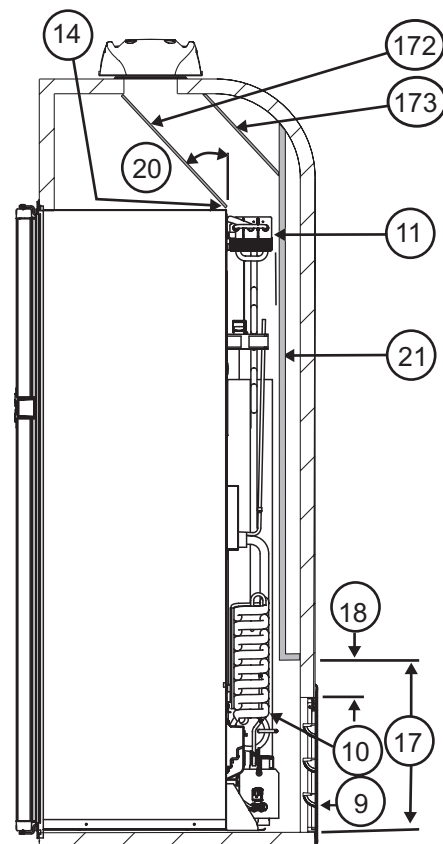
Art01783



Art01784

Si la profondeur de l'enceinte est supérieure ou égale à 26 po (voir Art01785) :

- Poser un déflecteur incliné supérieur [172] entre le bord supérieur arrière du réfrigérateur et le bord intérieur de l'ouverture de la bouche d'échappement supérieure.
- Veiller à ce qu'il y ait moins de 1/4 po entre le déflecteur incliné supérieur et le haut du réfrigérateur.
- S'assurer que le déflecteur incliné supérieur n'est pas à plus de 45° de la verticale [20].
- Poser un déflecteur d'angle intérieur [173] entre le bord extérieur de l'ouverture de la bouche d'échappement supérieure et soit la paroi latérale du véhicule soit le déflecteur en forme de boîte pleine (selon la conception du véhicule).
- Installer un déflecteur en forme de boîte pleine en bois ou en tôle d'aluminium ou galvanisée [21] à l'arrière de l'enceinte.
- S'assurer que le bas du déflecteur en forme de boîte pleine se trouve entre 18 po et 18 1/2 po au-dessus du bas de l'enceinte [17] (4 1/4 po à 4 3/4 po au-dessus du haut de l'ouverture de la prise d'air inférieure) [18].
- Veiller à ce que l'arrière du déflecteur en forme de boîte pleine soit perpendiculaire au bas de l'enceinte.
- Veiller à ce que l'arrière du déflecteur en forme de boîte pleine se trouve soit contre le haut de l'enceinte soit contre le déflecteur d'angle intérieur [173] (selon la conception du véhicule).
- Veiller à ce que le déflecteur en forme de boîte pleine soit à 1 po ou moins des serpentins [10] et du condenseur [11] du réfrigérateur.
- Veiller à ce que le déflecteur en forme de boîte pleine fasse toute la largeur de l'intérieur de l'enceinte.



Art01785

Installation d'une bouche d'échappement supérieure de paroi latérale

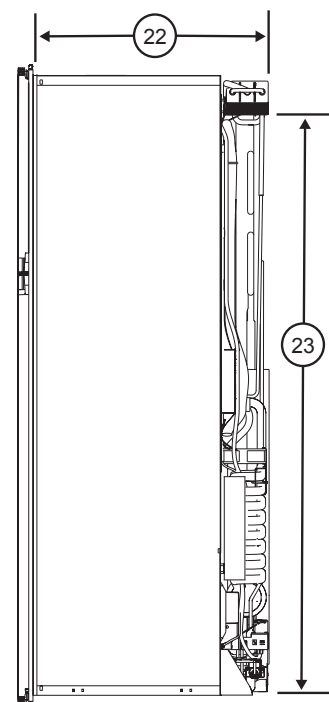
Si la conception du véhicule empêche l'installation d'une bouche d'échappement de toit, installer une bouche d'échappement supérieure de paroi latérale.

REMARQUE : Le réfrigérateur mesure entre 23,7 po min. et 24,0 po max. depuis l'arrière du disjoncteur jusqu'à l'arrière du condenseur [22] et entre 59,0 po min. et 59,3 po max. du bas du réfrigérateur jusqu'au bas du condenseur du réfrigérateur [23] (voir Art01600).

AVERTISSEMENT : Utiliser seulement une bouche d'échappement supérieure de paroi latérale sur les modèles de réfrigérateurs équipés d'un ventilateur. Si l'on utilise une bouche d'échappement supérieure de paroi latérale sur un modèle de réfrigérateur qui n'est pas doté d'un ventilateur, les performances de réfrigération seront médiocres.

S'assurer que le modèle du réfrigérateur est équipé d'un ventilateur.

- Installer la bouche d'échappement supérieure de paroi latérale [24] de façon à ce que la distance [25] entre le bas de l'enceinte et le haut de la découpe pour la bouche d'échappement supérieure est d'au moins 63 po (voir Art01588 et Art01589).
- Aligner la bouche d'échappement supérieure à l'horizontale au-dessus de la prise d'air inférieure [9].



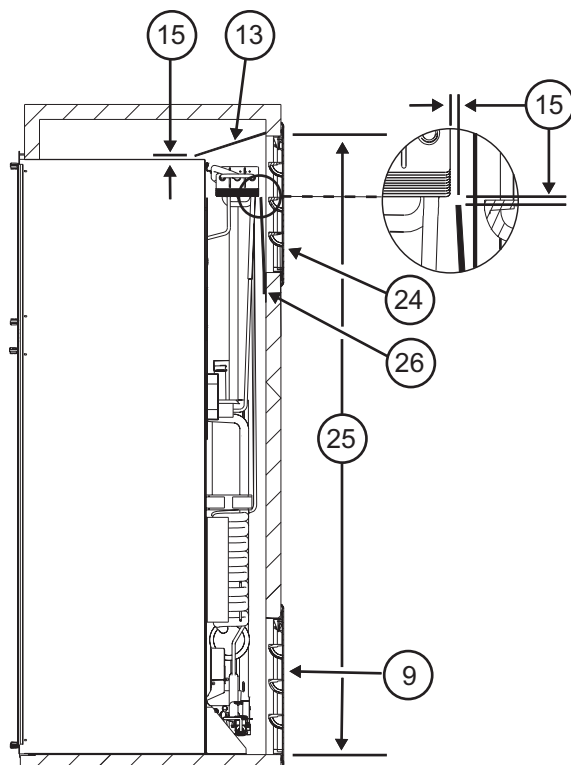
Art01600

Installation de déflecteurs pour une bouche d'échappement supérieure de paroi latérale

AVERTISSEMENT : Veiller à ce que tous les déflecteurs horizontaux fassent toute la largeur de l'intérieur de l'enceinte et soient au bon endroit. Si ce n'est pas le cas, on risque d'obtenir un mauvais refroidissement.

Si la profondeur de l'enceinte est supérieure ou égale à 24 po et inférieure à 26 po (voir Art01764) :

- Poser un déflecteur supérieur en bois ou en tôle d'aluminium ou d'acier galvanisé [13] entre le haut du réfrigérateur et le haut de la bouche d'échappement supérieure [24].
 - Veiller à ce qu'il y ait un dégagement de moins de 1/4 po [15] entre le déflecteur supérieur et le haut du réfrigérateur et que le déflecteur chevauche le réfrigérateur de 1 po ou moins.
 - S'assurer que le déflecteur se trouve contre la paroi du véhicule en haut de la bouche d'échappement supérieure et à moins de 1/4 po au-dessus de l'ouverture de la bouche d'échappement supérieure.
- Installer un déflecteur de condenseur en tôle cintrée d'aluminium ou d'acier galvanisé [26].
 - Veiller à ce que la courbure du déflecteur de condenseur fasse toute la largeur de l'intérieur de l'enceinte.

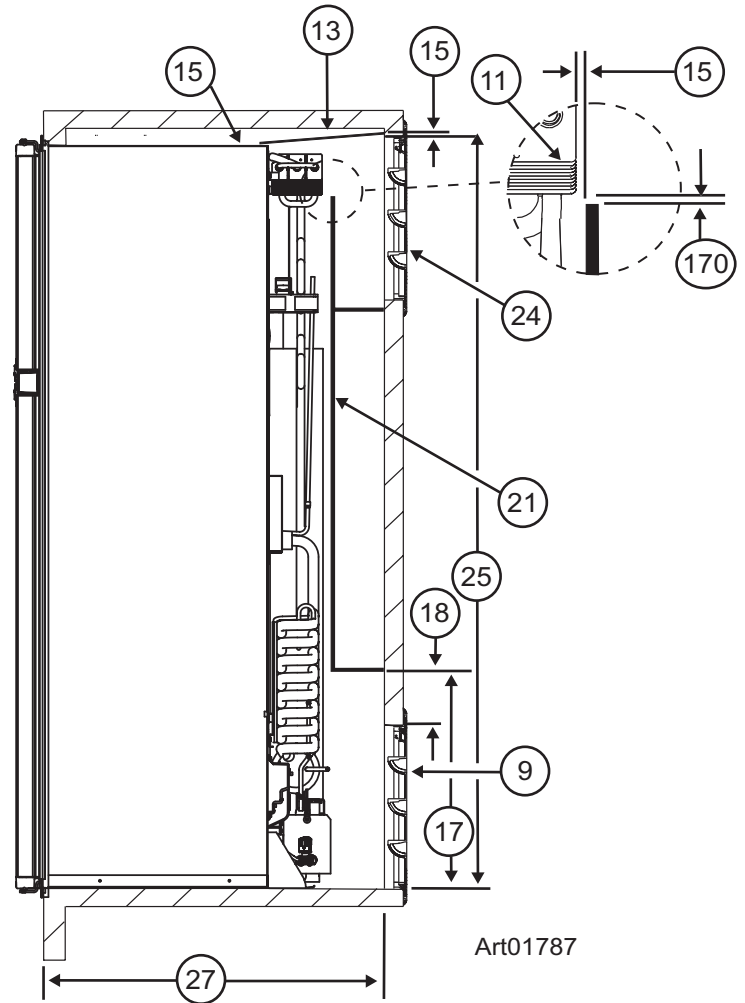


Art01764

- S'assurer que la courbure du déflecteur de condenseur affleure le bord inférieur du cadre de la porte de la bouche d'échappement supérieure de paroi latérale.
- S'assurer que le bord supérieur du déflecteur de condenseur se trouve à 1/4 po ou moins [15] du coin inférieur arrière du condenseur.

Si la profondeur de l'enceinte est supérieure ou égale à 26 po (voir Art01787) :

- Poser un déflecteur supérieur en bois ou en tôle d'aluminium ou d'acier galvanisé [13] entre le haut du réfrigérateur et le haut de la bouche d'échappement supérieure [24].
 - Veiller à ce qu'il y ait un dégagement de moins de 1/4 po [15] entre le déflecteur supérieur et le haut du réfrigérateur et que le déflecteur chevauche le réfrigérateur de 1 po ou moins.
 - S'assurer que le déflecteur se trouve contre la paroi du véhicule en haut de la bouche d'échappement supérieure et à moins de 1/4 po au-dessus de l'ouverture de la bouche d'échappement supérieure.
- Installer le déflecteur en forme de boîte pleine [21] entre la prise d'air inférieure et la bouche d'échappement supérieure.
 - Fabriquer le déflecteur en forme de boîte pleine en bois ou en tôle d'aluminium ou d'acier galvanisé.
 - S'assurer que le bas du déflecteur en forme de boîte pleine se trouve entre 18 po et 18 1/2 po au-dessus du bas de l'enceinte [17] (4 1/4 po à 4 3/4 po au-dessus du haut de l'ouverture de la prise d'air inférieure RÉF) [18].
 - Veiller à ce que l'arrière du déflecteur en forme de boîte pleine soit perpendiculaire au bas de l'enceinte.
 - S'assurer que la partie supérieure horizontale du déflecteur en forme de boîte pleine affleure le bord inférieur de la bouche d'échappement supérieure [24].
 - S'assurer que le bord supérieure vertical du déflecteur en forme de boîte pleine trouve à 1/2 po ou moins [170] sous le coin inférieur arrière du condenseur [11] et à 1/4 po ou moins derrière [15].



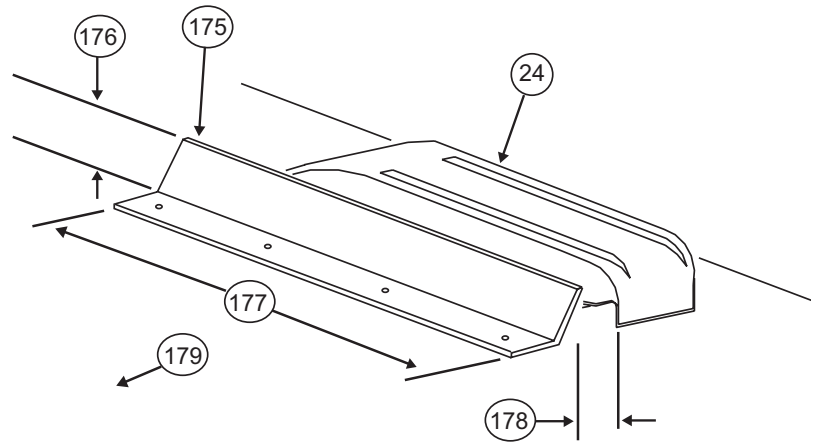
Installation d'un déflecteur d'air (facultatif)

Si le plan a le réfrigérateur sur la paroi arrière du véhicule, effectuer toute l'installation des bouches de ventilation supérieure et inférieure » de ce manuel. Installer la bouche d'échappement de toit de façon à ce que :

- l'extrémité inclinée de la bouche d'échappement du toit se trouve vers l'un des côtés du véhicule.
- la bouche d'échappement du toit soit perpendiculaire à l'écoulement de l'air au-dessus du véhicule.

Installer un déflecteur d'air sur le toit du véhicule entre la bouche d'échappement du toit et l'avant du véhicule (voir Art01767).

- S'assurer que le déflecteur d'air [175] se trouve entre la bouche d'échappement du toit [24] et l'avant du véhicule [179].
- S'assurer que le déflecteur d'air fait au moins 3 1/2 po de haut [176].
- S'assurer que la largeur totale [177] du déflecteur d'air est de 32 7/8
- S'assurer que la distance entre le déflecteur d'air et la bouche d'échappement du toit est entre 2 et 3 po [178].

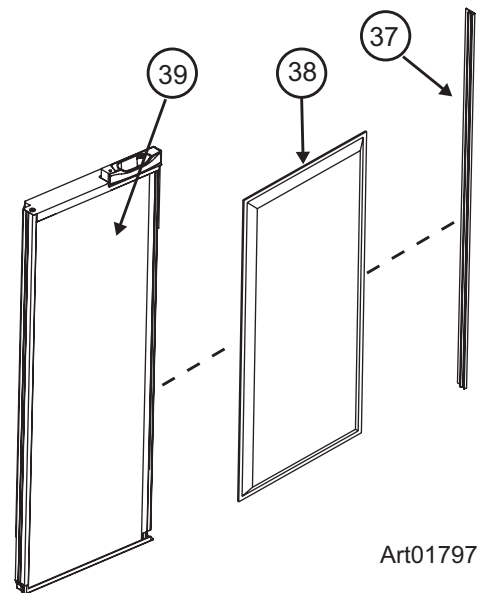


Art01767

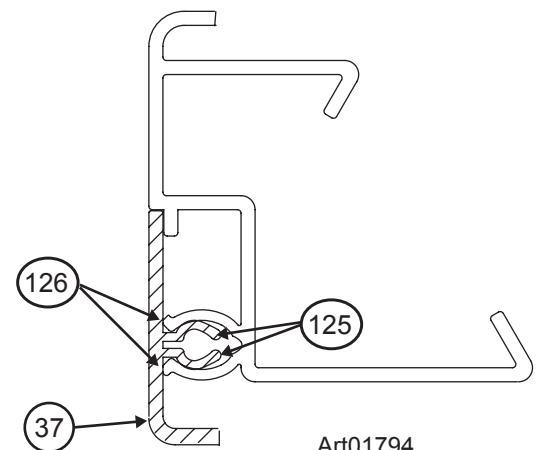
Installation des panneaux décoratifs de porte (modèles à portes non métalliques)

REMARQUE : Les portes sont conçues pour accepter des panneaux décoratifs. Les panneaux décoratifs doivent être d'une épaisseur maximum de 3/16 po. Installer les panneaux décoratifs de porte sur les portes du réfrigérateur, avant d'installer le réfrigérateur dans le véhicule.

1. Faire deux panneaux de porte supérieurs de 16 13/64 po de largeur et 18 3/8 po de hauteur :
 - Les panneaux en relief doivent être centrés sur chaque porte et leurs dimensions ne doivent pas dépasser 15 11/32 po de largeur et 17 17/32 po de hauteur.
2. Faire deux panneaux de porte inférieurs de 16 13/64 po de largeur et 41 13/64 po de hauteur :
 - Les panneaux en relief doivent être centrés sur chaque porte et leurs dimensions ne doivent pas dépasser 15 11/32 po de largeur et 40 11/32 po de hauteur.
3. Installer les panneaux décoratifs de porte :
 - Tirer sur le dispositif de retenue [37] du panneau pour le séparer de chaque porte [39] (voir Art01797).
 - Pousser un panneau décoratif de porte [38] dans les fentes de chaque porte.
 - S'assurer que chaque dispositif de retenue du panneau est positionné correctement et pousser l'attache incurvée [125] du dispositif de retenue du panneau [37] à l'intérieur de l'attache incurvée [126] de la porte (voir Art01794).



Art01797



Art01794

Installation du réfrigérateur

La meilleure méthode pour manutentionner manuellement (à la main) ou mécaniquement (avec un palan, un chariot élévateur, etc.) un réfrigérateur qui n'est pas installé dans une enceinte est de le faire quand le réfrigérateur est dans son emballage d'origine.

Si le réfrigérateur n'est pas dans son emballage d'origine, utiliser les côtés, les bords et (ou) les coins de sa caisse comme points porteurs primaires.

Deux (2) endroits du frigorifère peuvent servir de points de manutention [122] (voir Art01754). Ces points de manutention peuvent être utilisés uniquement pour incliner ou stabiliser le réfrigérateur. Pour incliner le réfrigérateur, Norcold recommande qu'une autre personne tienne la caisse du réfrigérateur.

AVERTISSEMENT : Ne pas soulever ou tirer le réfrigérateur en utilisant un ou les deux (2) points de manutention. Le frigorifère du réfrigérateur risque d'être endommagé.

- Mettre le réfrigérateur complètement dans l'enceinte :
- Pousser en dessous du centre du réfrigérateur.
- Tirer en utilisant un outil en fil métallique accroché dans les trous de montage [121] du châssis du réfrigérateur (voir Art01753).

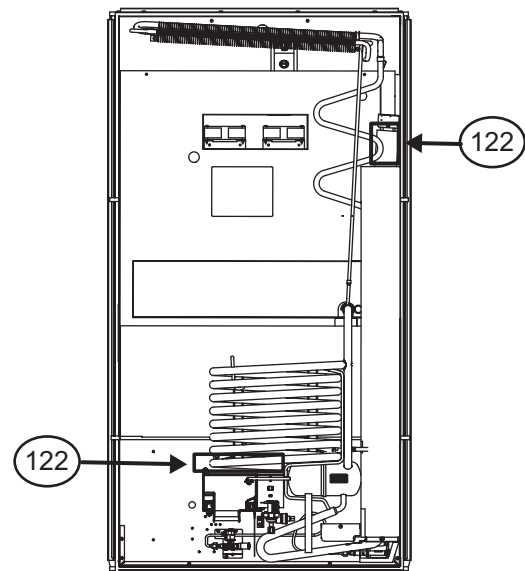
MISE EN GARDE : S'assurer que le joint de combustion en mousse n'est pas rompu, qu'il entoure complètement les brides de montage du réfrigérateur et qu'il sépare ces brides de la paroi de l'enceinte. Si le joint est interrompu, des gaz d'échappement peuvent s'infiltrer dans l'habitacle du véhicule. L'inhalation, de gaz d'échappement peut causer des vertiges, des nausées ou, dans les cas extrêmes, la mort.

1. Positionner le réfrigérateur :

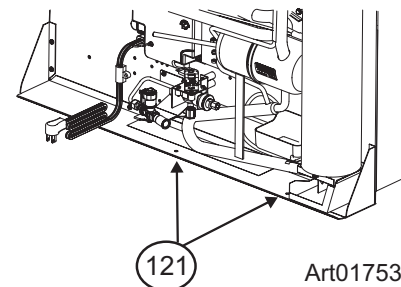
MISE EN GARDE : S'assurer que le joint de combustion en mousse n'est pas rompu, qu'il entoure complètement les brides de montage du réfrigérateur et qu'il sépare ces brides de la paroi de l'enceinte. Si le joint est interrompu, des gaz d'échappement peuvent s'infiltrer dans l'habitacle du véhicule. L'inhalation, de gaz d'échappement peut causer des vertiges, des nausées ou, dans les cas extrêmes, la mort.

REMARQUE : Faire attention lors du positionnement du réfrigérateur. Le réfrigérateur est muni de panneaux isolants sous vide sur le dessus et les côtés. S'ils sont percés, ces panneaux perdent de leurs propriétés isolantes, ce qui réduit les performances du réfrigérateur. Il n'est pas nécessaire de retirer l'emballage protecteur des portes des modèles à portes métalliques pour installer ou utiliser le réfrigérateur.

- Veiller à ce que le capuchon du conduit de fumée ne soit pas enfoncé contre le haut du tube de ce conduit.
- Faire entrer le réfrigérateur dans l'enceinte de manière à ce que la garniture latérale se trouve à environ un pouce du mur.



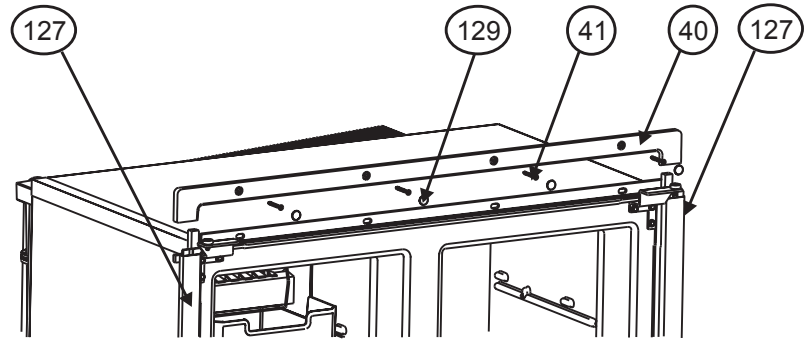
Art01754



Art01753

2. S'assurer que les garnitures latérales [127] sont dans la position correcte (voir Art01649 et Art01650) :

- Faire glisser les deux garnitures latérales vers le haut ou vers le bas selon le besoin, afin que leurs extrémités soient entièrement recouvertes par les garnitures supérieure et inférieure [40 et 128].
- Tirer la garniture latérale gauche à fond vers la gauche de sorte à ne laisser aucun espace entre son bord et les garnitures supérieure et inférieure.
- Tirer la garniture latérale droite à fond vers la droite de sorte à ne laisser aucun espace entre son bord et les garnitures supérieure et inférieure.
- Faire entrer complètement le réfrigérateur dans l'enceinte.



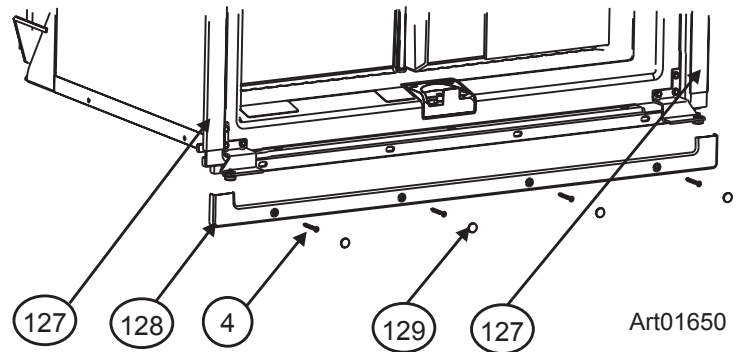
Art01649

3. Poser les vis de montage et la garniture :

- Positionner la garniture supérieure [40] sur l'avant du réfrigérateur (voir Art01649).
- Insérer les quatre vis [41] à travers la bride de montage à l'avant du réfrigérateur et dans la paroi de l'enceinte.
- Obturer d'un bouchon [129] chaque trou de vis de la garniture supérieure à l'avant du réfrigérateur.

⚠ MISE EN GARDE : Ne pas oublier la garniture inférieure. Elle fait partie du joint de combustion.

- Pousser sur la garniture inférieure [128] pour l'introduire sur l'avant du réfrigérateur (voir Art01650).
- Insérer les quatre vis [41] à travers la bride de montage à l'avant du réfrigérateur et dans la paroi de l'enceinte.
- Obturer d'un bouchon [129] chaque trou de vis de la garniture inférieure à l'avant du réfrigérateur.
- Insérer deux vis ou plus à travers la bride de montage à l'arrière du réfrigérateur et dans le plancher.



Art01650

4. Sur les modèles à portes métalliques seulement, on peut retirer l'emballage protecteur des portes.

REMARQUE : Veiller à ne pas érafler ou bosseler les portes métalliques. Ne pas se servir de produits de nettoyage abrasifs, de produits chimiques ou de tampons à récurer car ils risquent d'endommager le fini des portes.

Connexion des composants électriques

Ce réfrigérateur fonctionne sur ces sources électriques. Le fonctionnement en dehors des limites indiquées peut endommager les composants du circuit électrique du réfrigérateur et annulera la garantie.

Fonctionnement en c.a. Tension de 120 V c.a. (132 volts max. - 108 volts min.)
Tension de commande 12 V c.c. (15,4 volts max. - 10,5 volts min.)

MISE EN GARDE : L'arrière du système de refroidissement du réfrigérateur comporte des surfaces chaudes et des surfaces coupantes susceptibles d'endommager le câblage électrique. S'assurer qu'il y a un bon dégagement entre tout le câblage électrique et le système de refroidissement du réfrigérateur. Placer tout le câblage électrique situé à l'intérieur de l'enceinte du réfrigérateur du côté opposé à celui du brûleur du réfrigérateur. Ne faire passer aucun câblage électrique à travers la bouche d'échappement du toit. Tout mauvais positionnement du câblage électrique peut entraîner des chocs électriques ou un incendie.

Branchement à l'alimentation 120 V c.a. :

MISE EN GARDE : Brancher le(s) cordon(s) d'alimentation c.a. uniquement dans une prise à trois lames avec masse. Ne pas utiliser un adaptateur à deux lames ou une rallonge sur l'un des cordons d'alimentation c.a. L'utilisation du réfrigérateur sans masse appropriée peut causer des chocs électriques dangereux ou la mort en cas de contact avec les parties métalliques du réfrigérateur.

Brancher le(s) cordon(s) d'alimentation c.a. dans une prise à trois lames avec masse :

- S'assurer que la prise se trouve à portée facile de la prise d'air inférieure.
- Veiller à ce que le ou les cordons d'alimentation n'entrent pas en contact avec le couvercle du brûleur, le conduit de fumée ou tout composant brûlant qui risquerait d'endommager le matériau d'isolation des cordons.

Branchement à l'alimentation 12 V c.c. :

Les composants
d'autant plus
chute de tension se produit.

Utiliser au moins un fil de calibre 18 AWG et un fusible de capacité maximum 6 A. Si le fil est de calibre supérieur à la taille minimum, utiliser un fusible conforme à la norme RVIA A119.2 ou aux codes locaux.

1. Installer un fusible parmi les fils d'alimentation c.c. entre la batterie et le réfrigérateur.

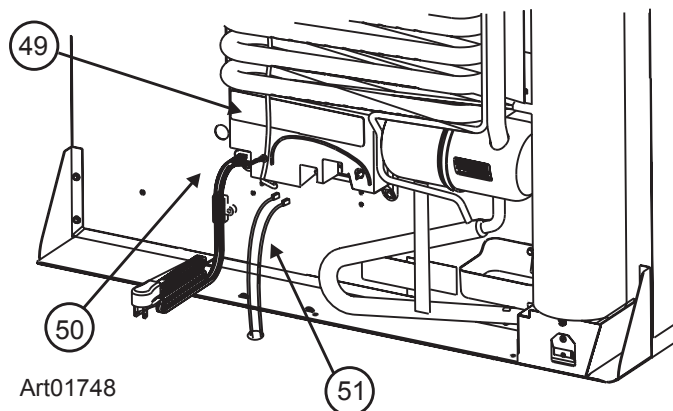
- Mettre le fusible aussi près que possible de la batterie.

2. Brancher les fils d'alimentation c.c. (voir Art01748) :

- Poser un raccord rapide 1/4 po sur chaque fil d'alimentation c.c.

REMARQUE : Ne pas utiliser le châssis du réfrigérateur ou celui du véhicule comme conducteur.

- Brancher le fil d'alimentation c.c. positif [50] sur la borne de la carte d'alimentation [49] marquée 12VDC.
- Pousser le fil de masse c.c. [51] sur la borne de la carte d'alimentation [49] marquée GND.
- S'assurer que chaque fil d'alimentation c.c. se trouve sur la borne de polarité correcte.



Branchement des éléments du gaz propane

Ce réfrigérateur fonctionne au gaz propane à une pression de 11 po de colonne d'eau.

Les limites peut endommager les composants du circuit électrique du réfrigérateur et annulera la garantie.

Raccordement du système d'alimentation en gaz propane :



MISE EN GARDE : Faire preuve de grande prudence lors de l'intervention sur le système de gaz propane ou du travail à proximité.

- Ne pas fumer ni utiliser une flamme nue à proximité du système de gaz propane.
- Ne pas se servir d'une flamme nue pour rechercher les fuites.
- Ne pas brancher le réfrigérateur à la bouteille de gaz propane en l'absence d'un manodétendeur entre les deux.
- Pour éviter une fuite de gaz propane, toujours se servir de deux clés pour serrer ou desserrer les raccords du tuyau d'arrivée de gaz propane.
- Le gaz propane qui s'échappe risque de s'enflammer ou d'exploser, d'où risque de blessures graves ou mortelles.

Brancher le tuyau d'arrivée de gaz au réfrigérateur :

- dimensions.
- S'assurer que tous les raccords métalliques souples sont conformes à la Norme actuelle CAN1-6.10.
- S'assurer que les matériaux utilisés pour le tuyau d'arrivée de gaz respectent à la fois les normes actuelles ANSI A 119.2 (NFPA 1192) et ACNOR Z240 pour les véhicules de loisir. Norcold recommande l'utilisation d'un tube en cuivre de 3/8 po comme tuyau d'arrivée de gaz et requiert un raccord mâle conique de 3/8 po SAE (UNF 5/8-18) comme connexion avec le réfrigérateur.
- Faire remonter le tuyau d'arrivée de gaz propane par le plancher de l'enceinte.
- Veiller à ce que le trou à travers le plancher soit suffisamment grand pour permettre un dégagement suffisant pour le tuyau d'arrivée de gaz.
- Placer plancher, afin d'éviter toute vibration et abrasion.
- Pour éviter les vibrations et le frottement, veiller à ce que le tuyau d'arrivée de gaz ne touche rien dans l'enceinte.
- Brancher le tuyau d'arrivée de gaz au raccord du réfrigérateur.

Rechercher les fuites dans le tuyau d'arrivée de gaz propane :



MISE EN GARDE : Ne pas laisser la solution de détection des fuites entrer en contact avec les composants électriques. Nombre de liquides sont conducteurs et peuvent poser des risques de court-circuit, voire même d'incendie.

E
propane.

Si vous utilisez de l'air comprimé pour le test :

- La (14 po).
- Si la réfrigérateur avant le test.
- Si réfrigérateur avant le test.

Raccordement de la machine à glaçons (facultatif)

□ comporte pas de machine à glaçons installée en usine, il ne sera pas possible d'en ajouter une au réfrigérateur plus tard.

L'ins□. Ce qui suit est nécessaire pour le raccordement de la machine à glaçons :

- tube en cuivre de diam. ext. de 1/4 po pour le tuyau d'arrivée d'eau.

OU BIEN

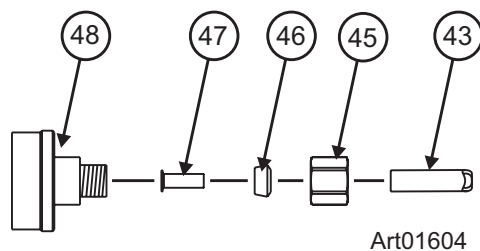
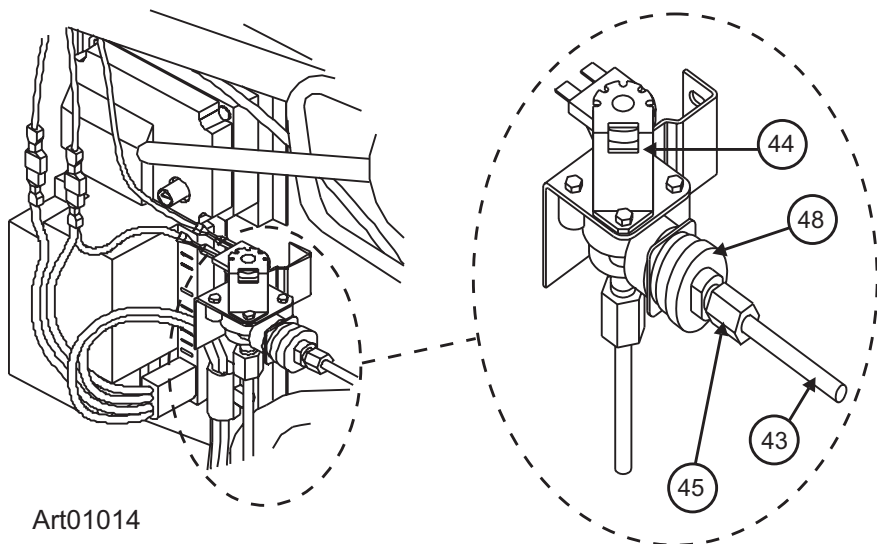
- tube en plastique de diam. ext. de 1/4 po pour le tuyau d'arrivée d'eau.
- robin□

Branchement du tuyau d'arrivée d'eau :

Installer un tuyau d'arrivée d'eau de diam. ext. de 1/4 po [43] allant du robinet d'arrêt d'eau du véhicule à l'électrovanne [44] situé à l'arrière du réfrigérateur (voir Art01014) :

REMARQUE : Un écrou de compression en laiton [45], un manchon en laiton, un manchon en plastique [46] et une pièce rapportée en laiton [47] sont fournis et fixés à l'arrière du réfrigérateur (voir Art01604).

- Placer l'écrou de compression, puis le manchon sur le tuyau d'arrivée d'eau [43].
 - Pour les tubes en cuivre, utiliser le manchon en laiton.
 - Pour les tubes en plastique, utiliser le manchon en plastique [46].
 - Pour les tubes en plastique dont l'épaisseur des parois est de 0,040 po, utiliser également la pièce rapportée en laiton [47].
 - Purger le tuyau d'arrivée d'eau jusqu'à ce que l'eau soit claire.
- Placer le tube dans l'adaptateur [48] jusqu'à ce qu'il bute contre l'arrêt de ce dernier.
- Serrer l'écrou de compression à la main (serrer fortement avec les doigts).
- À l'aide de deux clés, serrer l'écrou de compression de 1 1/2 tour à 2 tours.
- Ouvrir le robinet d'arrêt d'eau du véhicule.
- Chercher les fuites au niveau des raccords.



Allumage et mise en marche

Avant l'allumage ou la mise en marche du réfrigérateur :

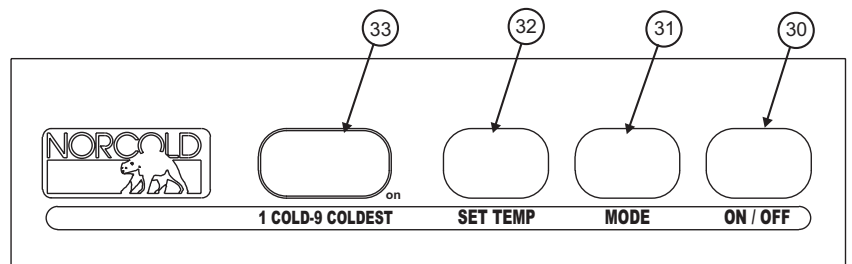
- S'assurer le condenseur du réfrigérateur, et par la bouche d'échappement supérieure.
- S'assurer qu'il n'y a pas de matières combustibles à l'intérieur ni autour du réfrigérateur.

REMARQUE : Si le gaz ne s'allume pas en 30 secondes, la valve de sécurité du réfrigérateur se ferme automatiquement. Les commandes choisissent une source d'énergie différente ou « no FL » s'affiche sur l'écran central et une alarme sonore retentit. Ceci signifie que le gaz ne s'est pas allumé.

Si le gaz ne s'allume pas après plusieurs tentatives, consulter la section « Codes d'anomalie » de ce manuel.

Réglage des commandes pour le fonctionnement en mode automatique :

- Appuyer sur le bouton ON / OFF [34] pour allumer le réfrigérateur (voir Art01333).
- Appuyer sur le bouton MODE [31] et le maintenir enfoncé jusqu'à ce que les lettres « AU » s'affichent sur l'écran central, puis le relâcher.
- Si le réfrigérateur a accès à une alimentation c.a. 120 V :



- Les lettres « AU » puis « AC » s'affichent sur l'écran central.
- Au bout de dix secondes, les affichages « AU » puis « AC » s'éteignent et seul le voyant d'alimentation vert ON (MARCHE) reste allumé.
- Ceci signifie que le réfrigérateur fonctionne sur courant alternatif.
- Si le réfrigérateur n'a pas accès à une alimentation c.a. 120 V :
- Les lettres « AU » puis « AC » s'affichent sur l'écran central.
- Au bout de cinq secondes, les lettres « AU » puis « LP » s'affichent sur l'écran central.
- Au bout de dix secondes, les affichages « AU » puis « LP » s'éteignent et seul le voyant d'alimentation vert ON (MARCHE) reste allumé.
- Ceci signifie que le réfrigérateur fonctionne au gaz propane.
- Si le réfrigérateur n'a pas accès à une alimentation au 120 V c.a. ou au gaz propane :
- Les codes d'anomalie « no » « AC » puis « no » « FL » s'affichent à l'écran central et une alarme retentit.

Si le réfrigérateur a accès à une source d'alimentation, mais que cette alimentation est défectueuse :

- Un code d'anomalie apparaît dans l'affichage central.
- La commande du réfrigérateur essaie de passer à une source d'énergie moins efficace.

- En l'absence de source d'énergie moins efficace :
 - Une alarme sonore retentit.
 - Un code d'anomalie apparaît dans l'affichage central.
 - Consulter la section « Codes d'anomalie » dans ce manuel.

Réglage des commandes pour le fonctionnement en mode manuel :

- Appuyer sur le bouton ON / OFF pour allumer le réfrigérateur.
- Appuyer sur le bouton MODE et le maintenir enfoncé jusqu'à ce que les lettres « AC » s'affichent sur l'écran central, puis le relâcher.
 - Au bout de dix secondes, l'affichage « AC » s'éteint et seul le voyant d'alimentation vert ON (MARCHE) reste allumé.
- Appuyer sur le bouton MODE et le maintenir enfoncé jusqu'à ce que les lettres « LP » s'affichent sur l'écran central, puis le relâcher.
 - Au bout de dix secondes, l'affichage « LP » s'éteint et seul un voyant d'alimentation vert ON (MARCHE) reste allumé.

Effectuer un test de la soupape de sûreté du gaz :

1. Mettre le réfrigérateur en route en mode de fonctionnement manuel.
2. Ouvrir la prise d'air inférieure.
3. Retirer un fil du solénoïde de la soupape de sûreté du gaz, située à l'arrière du réfrigérateur.
4. La flamme doit s'éteindre dans les 30 secondes. Ceci signifie que la soupape de sûreté du gaz fonctionne correctement.
5. Remettre le fil sur le solénoïde de la soupape de sûreté du gaz.
6. Fermer la prise d'air inférieure.

Mise à l'arrêt - tous les modèles :

Pour éteindre le réfrigérateur, appuyer sur le bouton ON / OFF et le maintenir enfoncé pendant une seconde.

Codes d'anomalie

Code de défaillance	Signification	Actions corrective
Rien n'apparaît sur l'afficheur	La tension c.c. n'est pas disponible au panneau de commande du réfrigérateur ou le réfrigérateur est arrêté	Vérifier que : - le réfrigérateur est en route. - le système de charge de la batterie du véhicule est opérationnel. - le convertisseur C.A./C.C. est opérationnel (s'il existe). Entrer en rapport avec le concessionnaire ou un Centre d'entretien autorisé Norcold.
"dr" L'alarme sonore se fait entendre	La porte est restée ouverte pendant plus de 2 minutes	Fermer la porte
"no" "FL" L'alarme sonore se fait entendre	Le brûleur n'est pas allumé ou rallumé	Vérifier que : - le robinet (des) réservoir(s) de propane est (sont) ouvert(s). - la pression du gaz propane est correcte - le robinet d'arrêt manuel du réfrigérateur est ouvert. - la conduite d'alimentation en gaz propane est purgée. Se reporter à "Purge de l'air des canalisations d'alimentation en gaz" de ce manuel. Entrer en rapport avec le concessionnaire ou un Centre d'entretien autorisé Norcold.
"no" "AC" L'alarme sonore se fait entendre	La tension C.A. n'est pas disponible au panneau de commande du réfrigérateur.	Vérifier que : - le réfrigérateur est branché dans une prise qui fonctionne. - le fusible ou le disjoncteur du véhicule est intact. - la génératrice du véhicule est opérationnelle (si elle existe). Entrer en rapport avec le concessionnaire ou un Centre d'entretien autorisé Norcold.
"dc" "LO"	La tension C.C. au panneau de commande du réfrigérateur est trop faible.	Vérifier que : - le système de charge de la batterie du véhicule est opérationnel. - le convertisseur C.A./C.C. est opérationnel (s'il existe). Entrer en rapport avec le concessionnaire ou un Centre d'entretien autorisé Norcold.
"LI" "oP"	L'interrupteur de limite de haute température est ouvert.	Aucune action corrective par l'utilisateur/propriétaire. Entrer en rapport avec le concessionnaire ou un Centre d'entretien autorisé Norcold.
La sélection de température clignote lorsqu'on enfonce le bouton SET TEMP.	Le réfrigérateur fonctionne sur le système de secours.	Aucune action corrective par l'utilisateur/propriétaire. Entrer en rapport avec le concessionnaire ou un Centre d'entretien autorisé Norcold.
"AC" "rE" L'alarme sonore se fait entendre.	Défaillance du système de commande du réfrigérateur.	Aucune action corrective par l'utilisateur/propriétaire. Entrer en rapport avec le concessionnaire ou un Centre d'entretien autorisé Norcold.
"AC" "HE" L'alarme sonore se fait entendre.	Défaillance du système de commande du réfrigérateur.	Aucune action corrective par l'utilisateur/propriétaire. Entrer en rapport avec le concessionnaire ou un Centre d'entretien autorisé Norcold.
"Sr" L'alarme sonore se fait entendre.	Défaillance du système de commande du réfrigérateur.	Aucune action corrective par l'utilisateur/propriétaire. Entrer en rapport avec le concessionnaire ou un Centre d'entretien autorisé Norcold. Art01779