

Face A

Notes:
1. View Is From The Backside.

- Models:
3010RE
3185RL
3455RL
3585RL
3670RL
3685RL
3855FL
Ti35
3875RS
3875FB
3160EL
- Models:
Rushmore
Key Largo
San Antonio
Grand Canyon
Monterey

Heartland RV LLC claims a copyright and proprietary rights to this document and the information contained herein. It is proprietary information and confidential. This drawing may not be reproduced or given to any unauthorized agent, nor can anything be manufactured with its information without written consent from Heartland RV LLC

Rev	Description	Date	ECN#
J	Revised usage.	11/30/10	N/A
K	Added model: 3855FL	09/27/11	N/A
L	Added model: 3010RE	12/27/11	N/A
M	Revised opening for Norcold refrigerator	01/31/12	N/A
N	Removed Big Country from usage	03/16/12	N/A
O	Added model: 3570RS	06/12/12	N/A
P	Added model: Monterey	11/20/12	N/A
Q	Added model: 3875FB	01/09/13	N/A
R	Added model: 3160EL	10/01/13	N/A

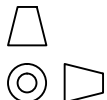
Title: *Refrigerator, Face Frame, RM3962*
See Usage

Date: *05/09/07*

Drawn By: *SL*

Sheet: *1 of 3*

TOLERANCE
Decimal: ± 0.01
Fractional: ± 1/16"
Degree: ± 1°
DO NOT SCALE



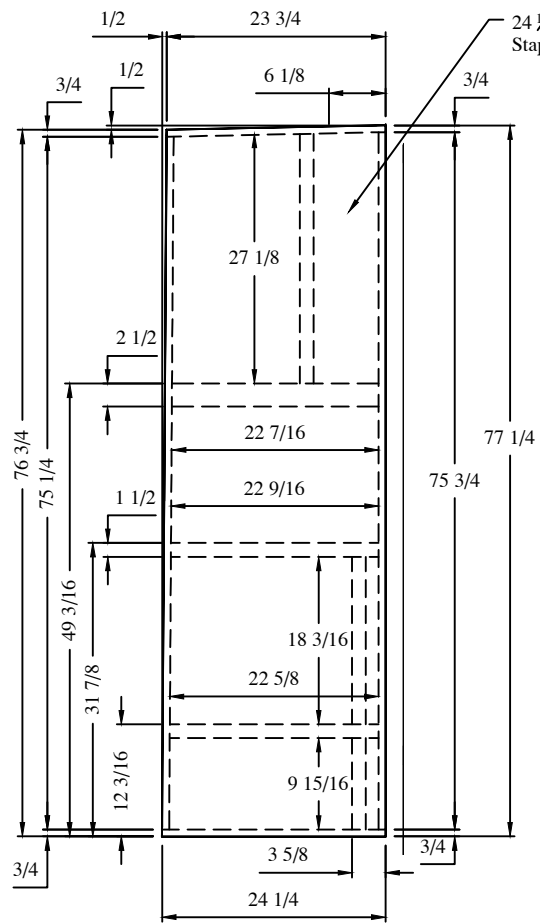
Heartland RV LLC

File No.

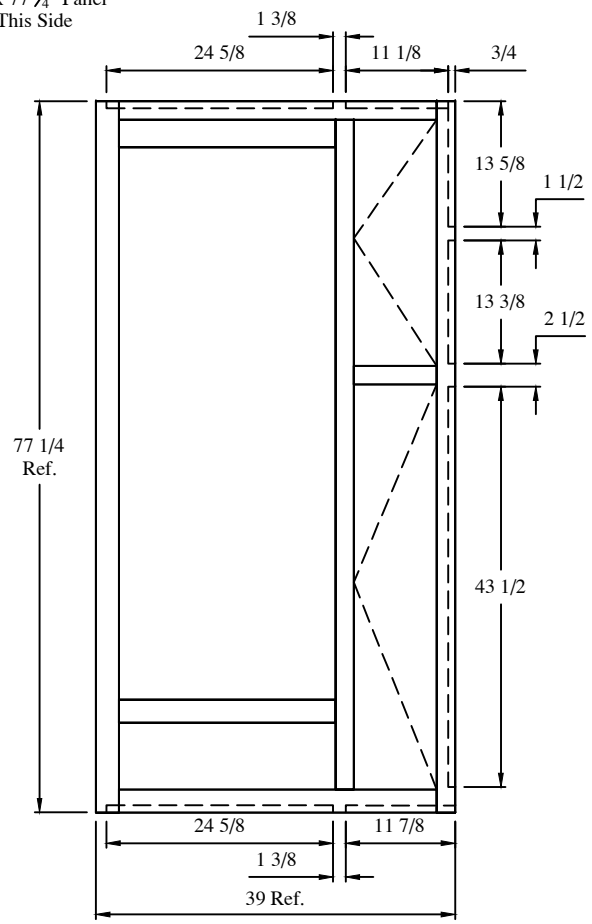
ATC-5288

Drawing No.

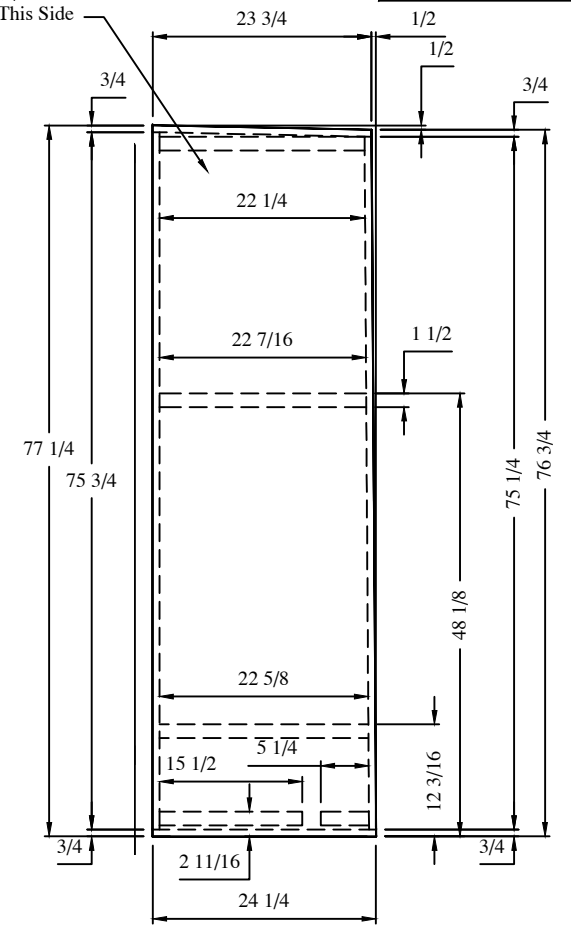
ATC-5288



LH End Panel
(Cleat Stock w/ Panel)



Face - A
3/4" Stiles w/ Cleat Stock



Divider
(Cleat Stock w/ Panel)

- Models:
3010RE
3185SRL
3455SRL
3585SRL
3670RL
3685SRL
3855FL
Ti35
3570RS
3875FB
3160EL

- Notes:
1. View Is From The Front And Outside.
2. FOS = Flush Opposite Side.
3. FTS = Flush This Side.

Heartland RV LLC claims a copyright and proprietary rights to this document and the information contained herein. It is proprietary information and confidential. This drawing may not be reproduced or given to any unauthorized agent, nor can anything be manufactured with its information without written consent from Heartland RV LLC

Rev	Description	Date	ECN#
J	Revised usage	11/30/10	N/A
K	Added model: 3855FL	09/27/11	N/A
L	Added model: 3010RE	12/27/11	N/A
M	Revised opening for Norcold refridgerator	01/31/12	N/A
N	Removed Big Country from usage	03/16/12	N/A
O	Added model: 3570RS	06/12/12	N/A
P	Added model: Monterey	11/20/12	N/A
Q	Added model: 3875FB	01/09/13	N/A
R	Added model: 3160EL	10/01/13	N/A

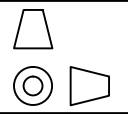
Title: **Refrigerator, Assembly, RM3962**
See Usage

Date: **05/09/07**

Drawn By: **SL**

Sheet: **2 of 3**

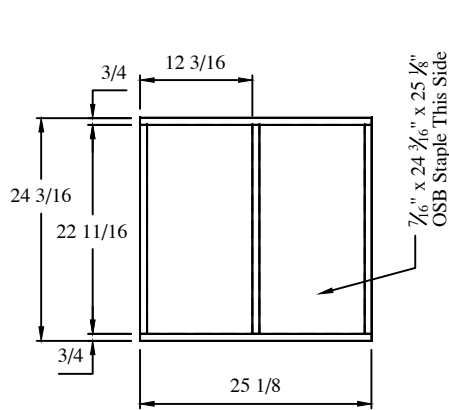
TOLERANCE
Decimal: ± 0.01
Fractional: ± 1/16"
Degree: ± 1°
DO NOT SCALE



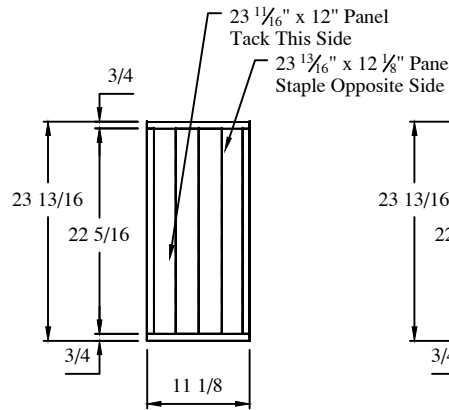
Heartland RV LLC

File No.
ATC-5288

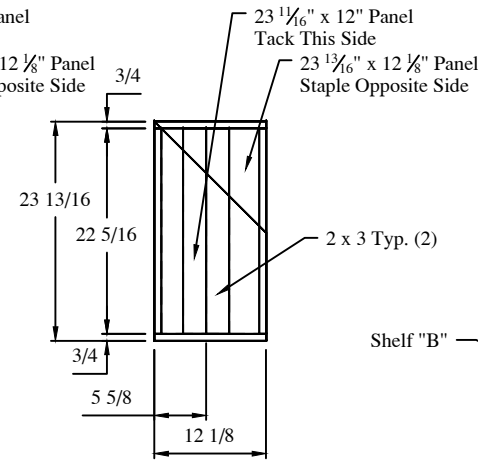
Drawing No.
ATC-5288



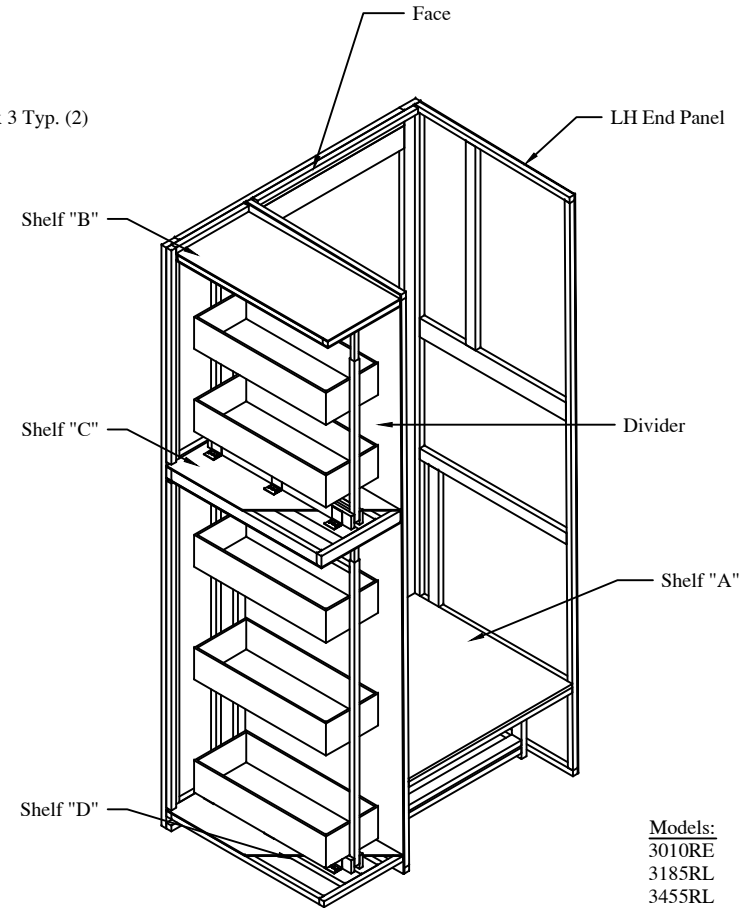
Shelf-"A"
(3/4" Cleat Stock)



Shelf-"B"
(Panel w/ Cleat Stock)



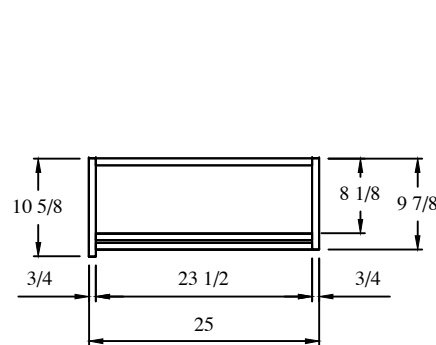
Shelf-"C"
(Panel w/ Cleat Stock)
3/4" x 1 1/2" On edge



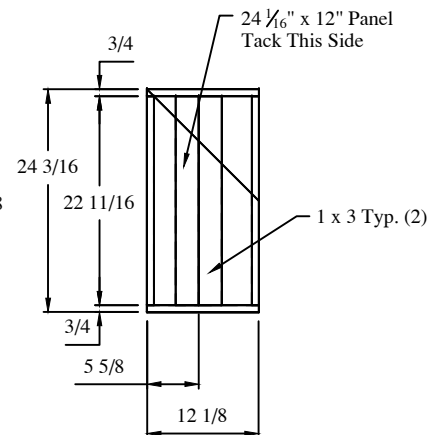
Isometric

- Models:
3010RE
3185RL
3455RL
3585RL
3670RL
3685RL
3855FL
Ti35
3570RS
3875FB
3160EL

- Models:
Rushmore
Key Largo
San Antonio
Grand Canyon
Monterey



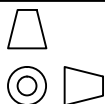
Guide Ladder
(3/4" x 1 1/2" On Edge)



Shelf-"D"
(Panel w/ Cleat Stock)

Heartland RV LLC claims a copyright and proprietary rights to this document and the information contained herein. It is proprietary information and confidential. This drawing may not be reproduced or given to any unauthorized agent, nor can anything be manufactured with its information without written consent from Heartland RV LLC

TOLERANCE
Decimal: ± 0.01
Fractional: ± 1/16"
Degree: ± 1°
DO NOT SCALE



Rev	Description	Date	ECN#
J	Revised usage	11/30/10	N/A
K	Added model: 3855FL	09/27/11	N/A
L	Added model: 3010RE	12/27/11	N/A
M	Revised opening for Norcold refrigerator	01/31/12	N/A
N	Removed Big Country from usage	03/16/12	N/A
O	Added model: 3570RS	06/12/12	N/A
P	Added model: Monterey	11/20/12	N/A
Q	Added model: 3875FB	01/09/13	N/A
R	Added model: 3160EL	10/01/13	N/A

Title: **Refrigerator, Assembly, RM3962**
See Usage

Date: **05/09/07**

Drawn By: **SL**

Sheet: **3 of 3**

Heartland RV LLC

File No.

ATC-5288

Drawing No.

ATC-5288