

FURRIION

RV CHEF COLLECTION

FSRI22LA-SS



Vibrationsmart
Designed and tested
for vibration resistance



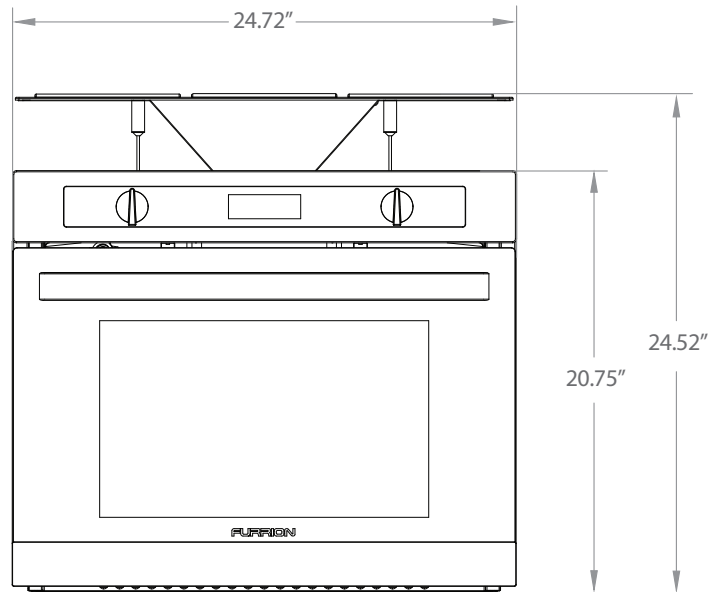
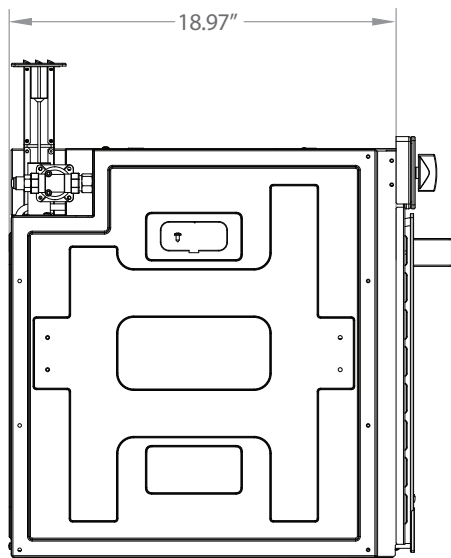
Climatesmart
Designed and tested
for extreme climates

STAINLESS STEEL BUILT-IN OVEN

The chef-inspired gourmet design combines function and dependability for a consistently delicious cooking result. With more usability than ever before, it's the world's first residential style oven engineered for recreational vehicle and mobile applications.

Integrating residential design with specialty vehicle functionality, the new RV chef collection™ delivers modern and cutting-edge kitchen appliances engineered for mobile applications. Crafted to perfection with Climatesmart™ and Vibrationsmart™ technology to ensure maximum product performance and safety on the move.

FURRIION.COM



Specification

Heat input	9000BTU
Pulse ignition	12VDC
Cooling fan	12VDC
Cavity light	12V
Rear venting cavity to countertop height	✓
LED Digital temperature display	✓
Gas safety cut off valve	✓
Manual timer	✓
Cordierite Tray	✓
Triple layer glass door	✓
LP regulator included	✓

Dimensions

Product Size	24.7" x 24.5" x 19.0"
--------------	-----------------------

Packaging

Packaging type	Carton Box
Quantity per level 1 (pcs)	1
Packaging Dimensions	
Packaging Gross Weight (lb)	
Packaging Net Weight (lb)	

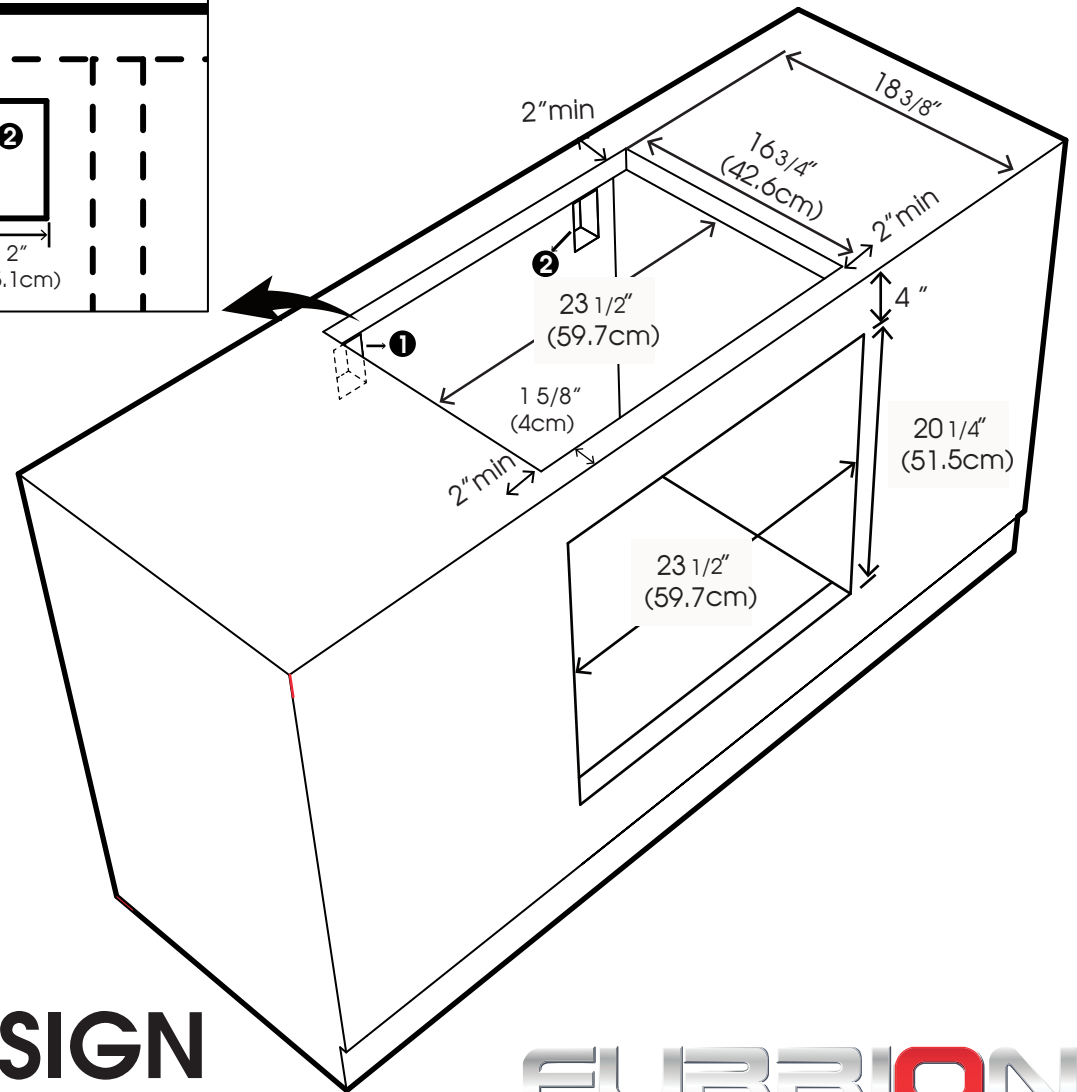
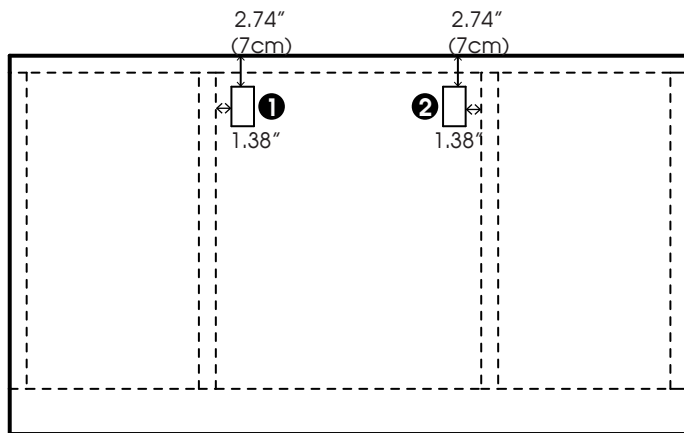
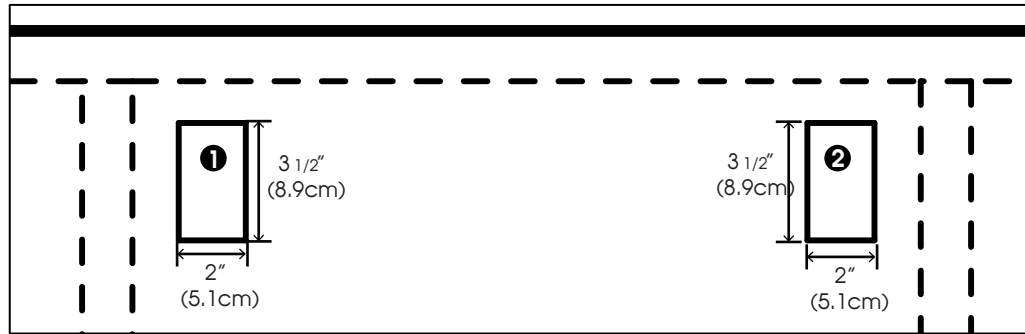


Key features

- Chef-inspired gourmet design.
- Exceeds RVIA safety regulations. The unique and innovative built-in design is engineered to meet strict safety guidelines outlined by RVIA and CSA certifications.
- 9000BTU. 20% higher BTU rating from the industry standard. Delivers even and consistent cooking results. First RV oven that has the capacity and power to cook a turkey.
- Automatic Gas safety cut-off. When the flame goes out the gas will automatically switch off.
- 2 cu. ft capacity. Largest oven capacity in the industry.
- LED 12V digital thermostat. First digital display oven shows internal temperature of oven cavity now making it easy to bake.
- 12VDC pulse electronic igniter for instant pilot ignition. This removes the dangerous and potentially harmful situations by forcing the user to bend down in front of the oven and reach into the rear cavity to spark the pilot flame using a lighter or match.
- Furrion's oval shape burner design. Industry first design distributes heat more evenly. (Patent pending)
- Intuitive fan cooling system. When the oven is switched off the cooling fan will continue to operate and automatically switch off once the oven is cool . This is an important safety feature especially for children who are known to burn themselves by touching the oven.
- Cordierite stone tray. Creates an even temperature cooking surface for baking and evenly distributes heat in the cavity for cooking results never seen in a RV before. Bake and cook pizza's directly on the Stone like a real Italian.
- Triple glazed glass door so you can see what is cooking while 3 layer glass keeps the outside of the oven door within a safe temperature.
- Industry first oven cavity light, now it is possible to keep an eye on what is cooking without having to open the door.
- 120min timer for cooking ease

FURRION BUILT-IN OVEN & COOK TOP INSTALLATION

- ❶ gas pipe Connect hole
- ❷ 12V DV power connect hole

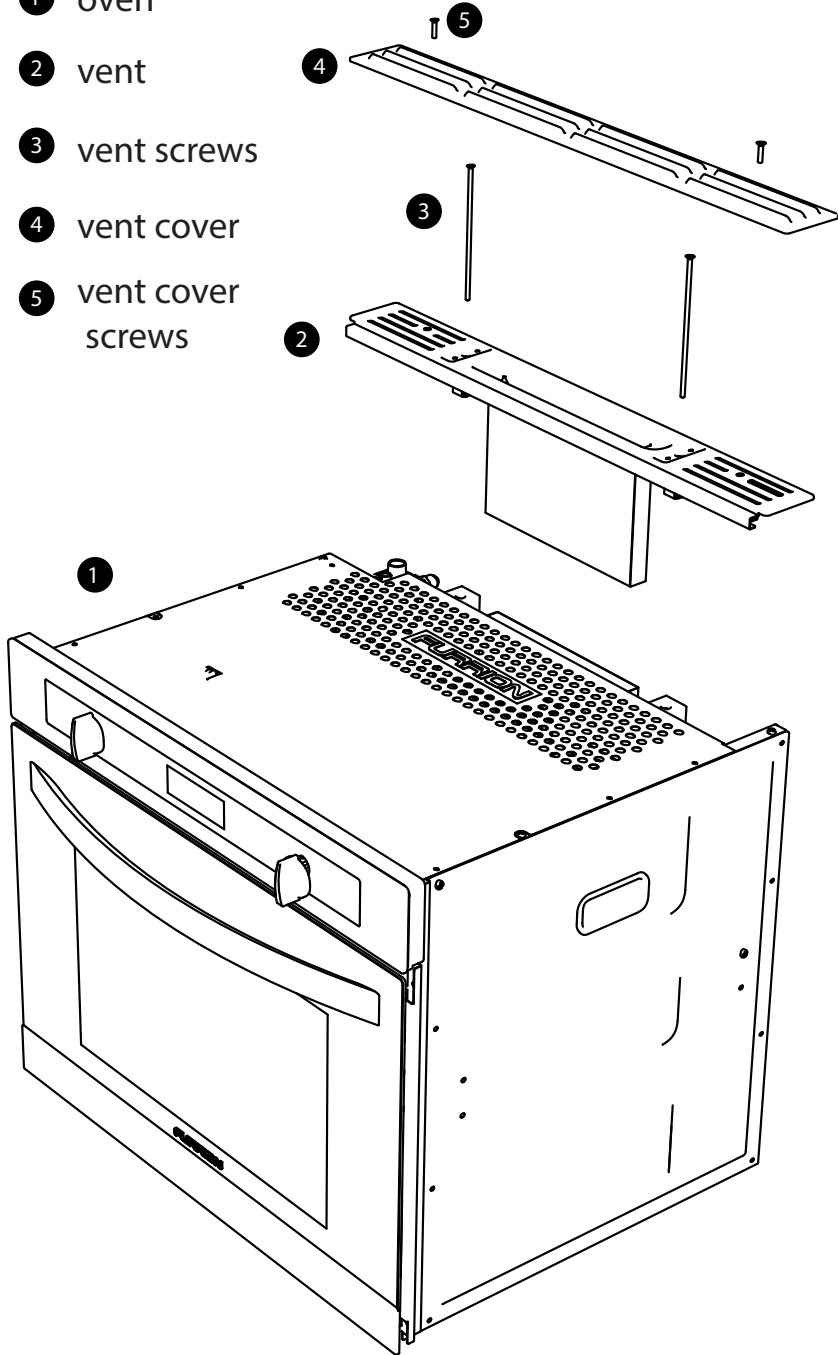


STEP 1 - CABINET DESIGN

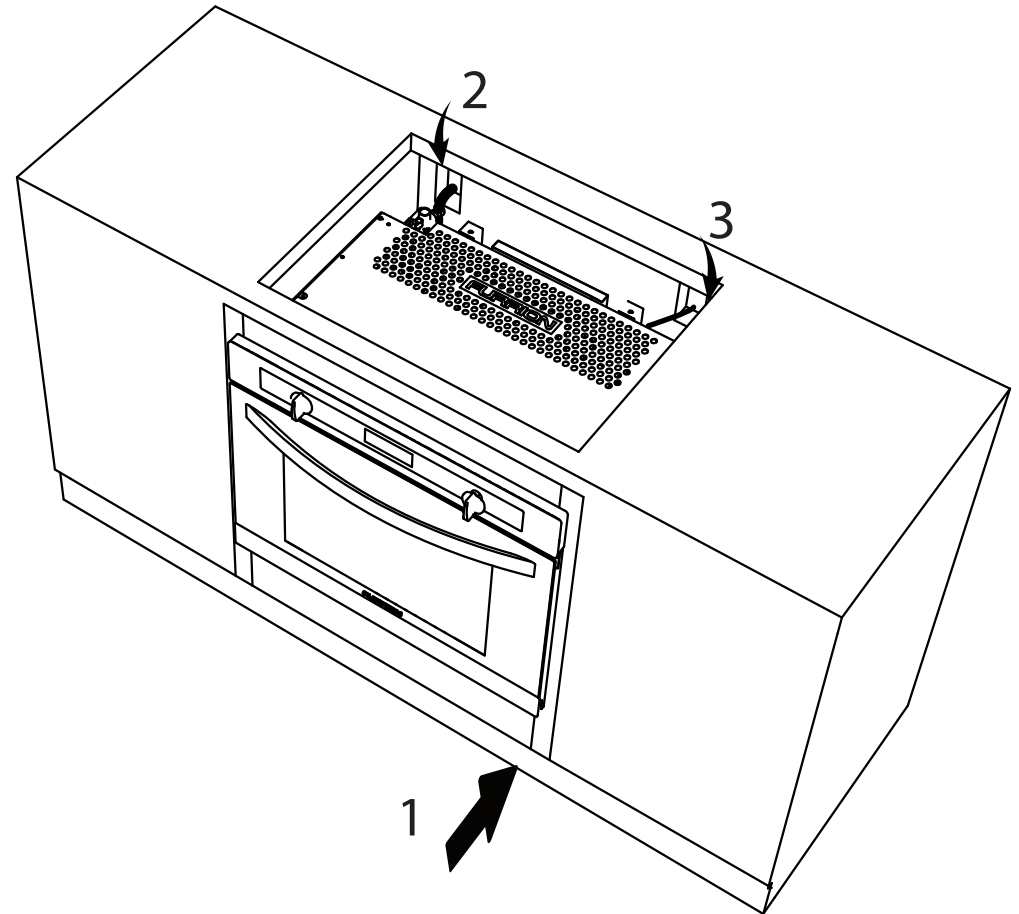
FURRION

Parts of oven

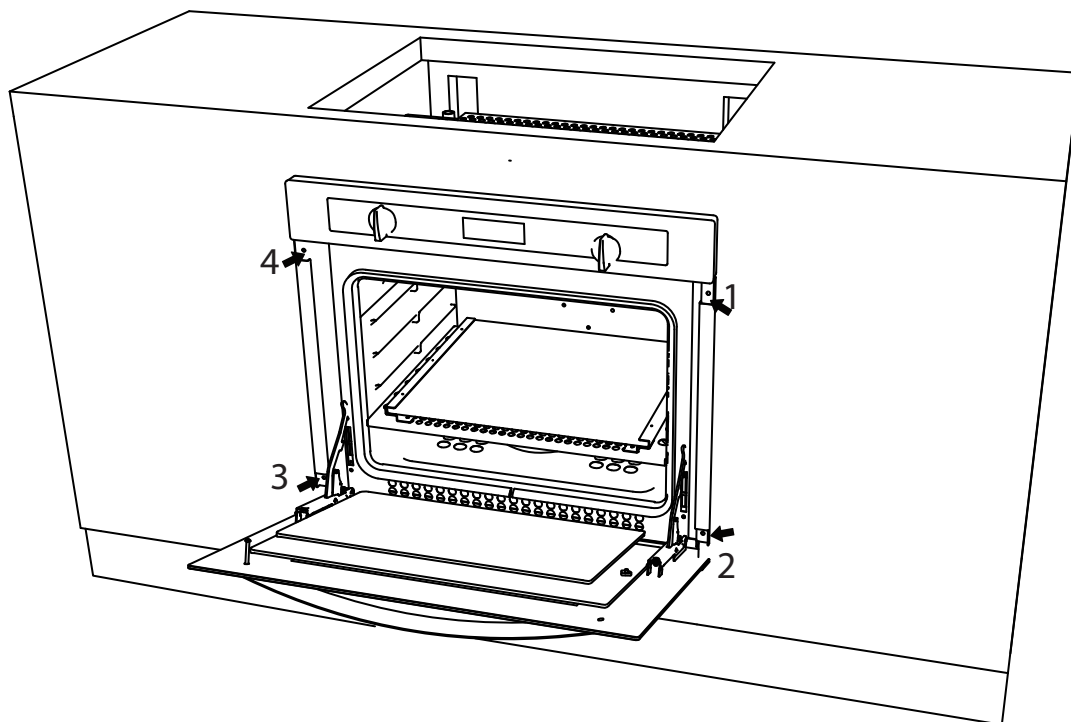
- 1 oven
- 2 vent
- 3 vent screws
- 4 vent cover
- 5 vent cover screws



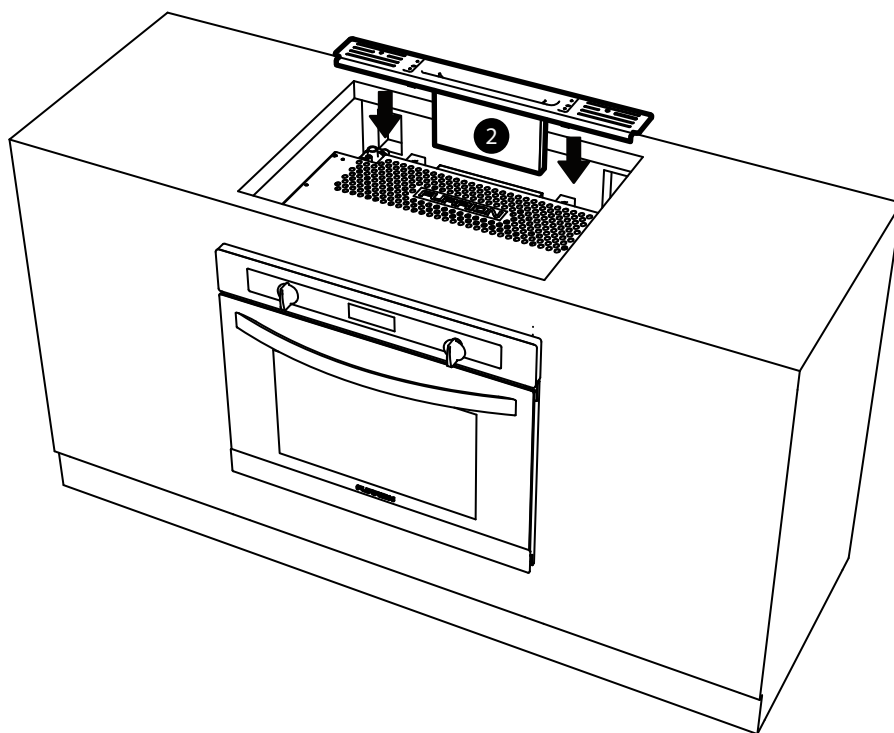
STEP 2 - Push the oven into the cut out perfectly and then connect the gas pipe & 12V power.



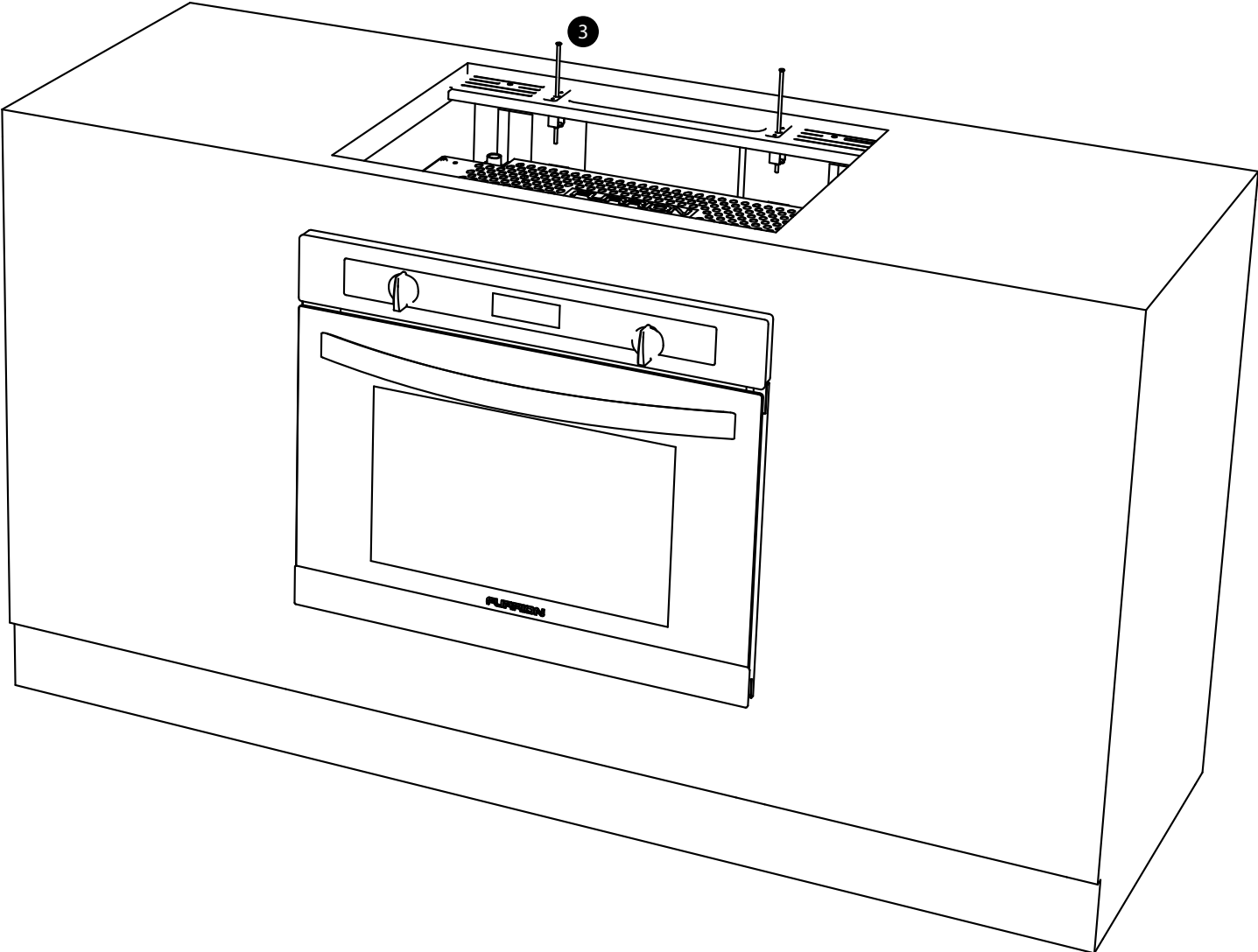
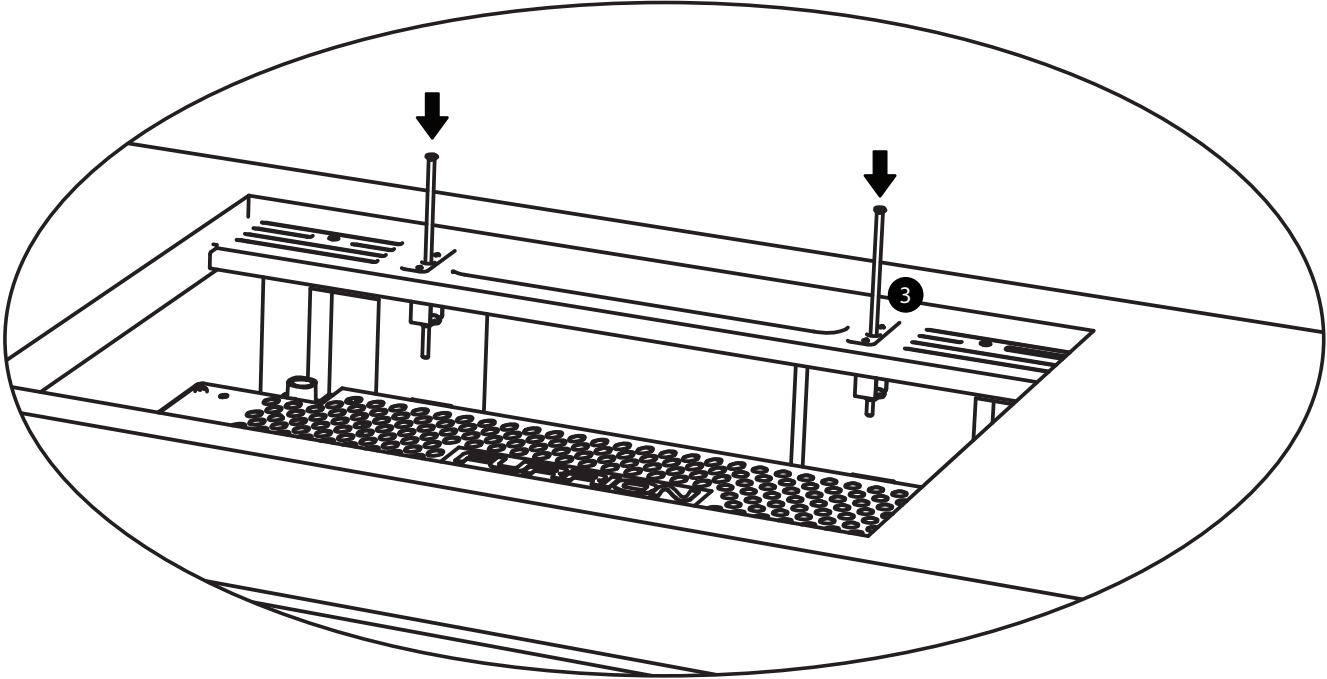
STEP 3 - Open the oven door and screw 4 screws



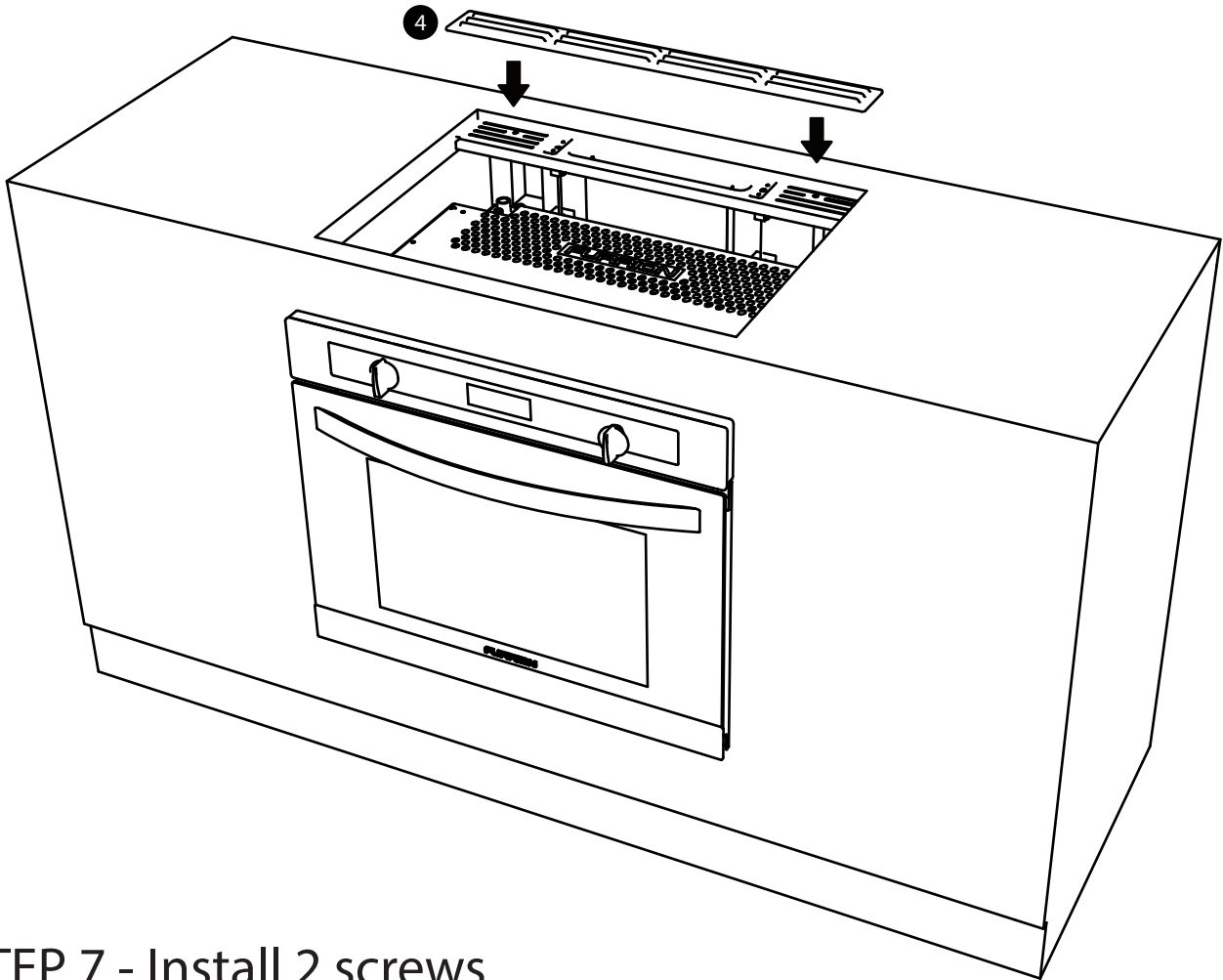
STEP 4 - Slide the vent assembly over the oven outlet flange



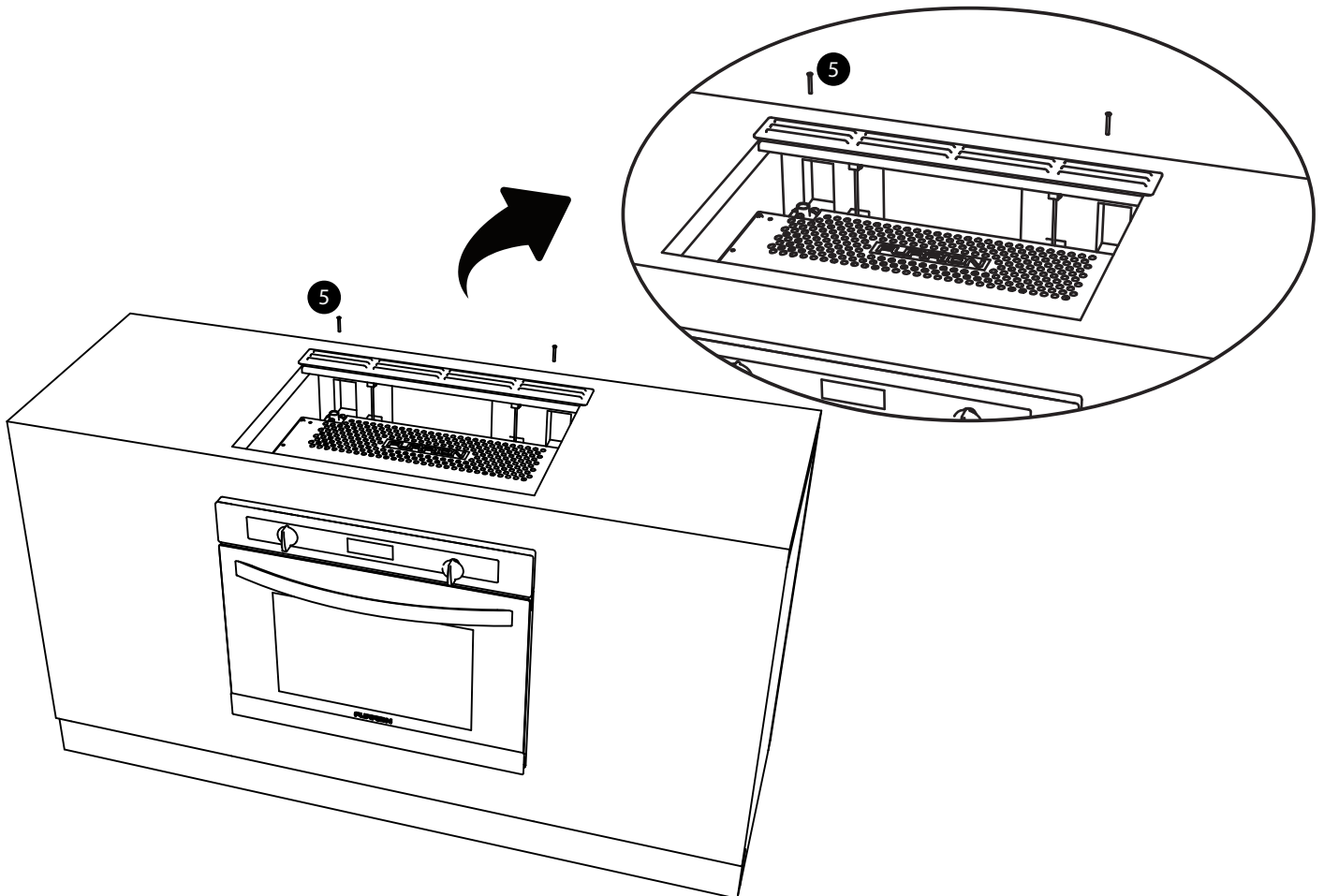
STEP 5 - Install 2 vent screws to secure the vent



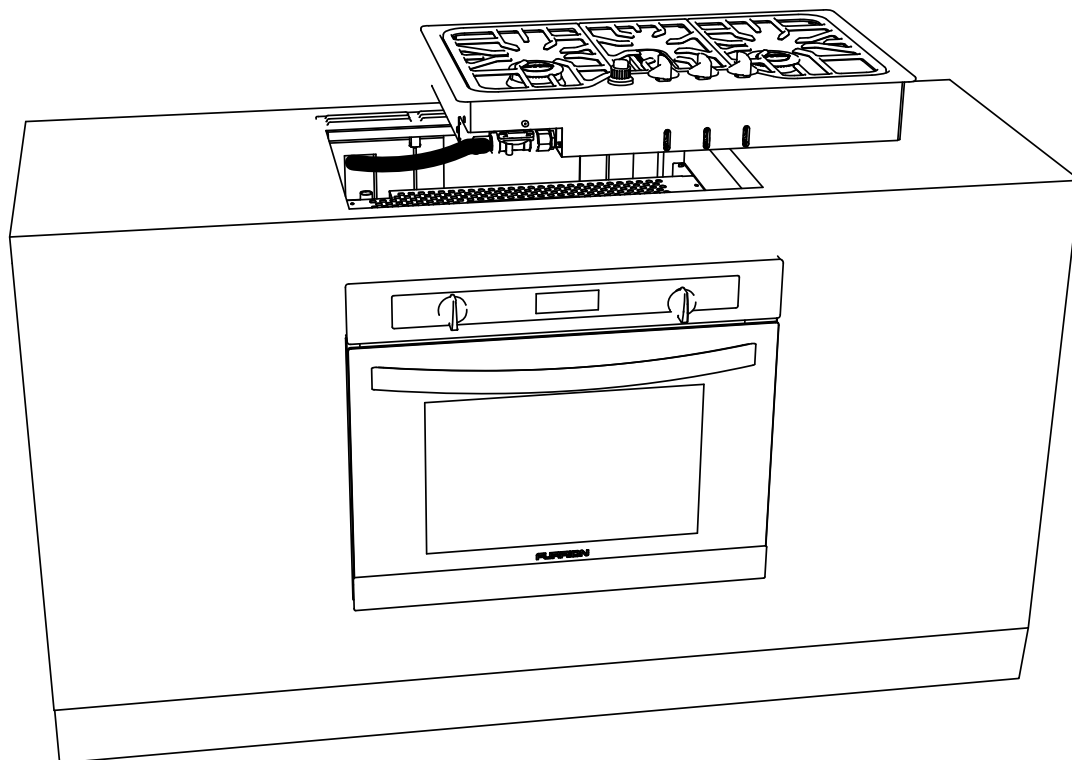
STEP 6 - Mount the vent cover over the vent



STEP 7 - Install 2 screws



STEP 8 - Connect the cooktop gas pipe



STEP 9 - Install the cooktop

