

# Range Table of Contents

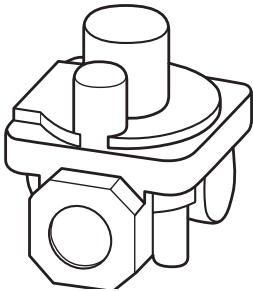
## **Atwood & Wedgewood Ranges, Slide-In's, and Drop-In's**

- **Questions / Regulators** ..... 2
- **Model Number Identification** ..... 3
- **Range & Oven Gas Components**
  - Robertshaw / Harper Wyman ..... 4
  - Combination - Harper Wyman/Robertshaw / Harper Wyman ..... 4
  - Copreci ..... 4
- **Sequence of Operation - Model 33** ..... 5
- **Sequence of Operation - PRIOR to Model 33** ..... 6
- **Trouble Shooting Guide - PRIOR to Model 33** ..... 7-8
- **Trouble Shooting Guide - Model 33** ..... 8
- **Identification of Older Wedgewood Systems** ..... 8-9
- **Cooking Appliance Terminology** ..... 10
- **BiFold Covers - Slotted, Unslotted & Recessed** ..... 11
- **Replacement Part Reference**
  - Model 33 RV -1733 / 2133 & RA - 1733 / 2133 ..... 12-13
  - Model 30, 31, 32 RA - 1732 / 1731 / 1730 & RA - 2132 / 2131 / 2130 CA - 31 & 30..... 14-15
  - RV - 1732 / 1731 & RV - 2132 / 2131 & CV - 32 / 30 ..... 16-17
  - Model 30 & 31 RW -1731 / 1730 & RW - 2131 / 2130 & CW-30 ..... 22-23
  - Cabinet & Counter Cut out and Wiring Diagrams ..... 24-25
  - C-37 & 38, R-1737, R-1738, R-1746, R-2137, R-2138, R-2146 ..... 26-27
  - R-1730, R-1735, R-1736, R-2136, R-2140, R-2145, C-30, C-35, C-36, C-40, C-45 ..... 28-30
  - DV20, DV30 ..... 31

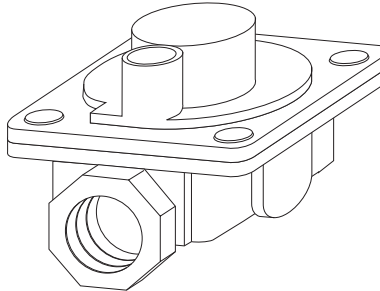
## After reviewing this manual, you should be able to answer the following questions:

- Are the Harper Wyman and Robertshaw valves, burners and manifolds interchangeable?
- Can a Wedgwood range/oven be converted from LP to natural gas?
- What is the difference between the standby pilot and heater pilot?
- What are the three functions of the oven thermostat?
- What is the function of the oven safety valve?
- What is the difference between High BTU and High Pressure?
- How do you adjust the flame on the top burner and what should the flame look like after that adjustment?
- What is the temperature tolerance range on the oven thermostat?
- What is recommended to clean the oven with?
- How long is it recommended to preheat the oven before placing food in it?
- How many inches should the edge of a pan be from any oven surface?
- After the thermostat is turned to the desired temperature, approximately how long should it take for the oven burner to come on?
- Will the oven burner cycle 'on' and 'off' in the broil mode?
- Can piezo ignition be added to a match lit range?

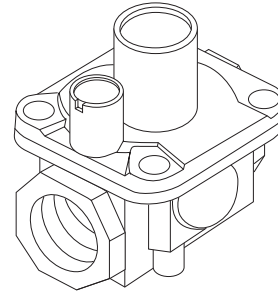
## Regulators



**Oara**



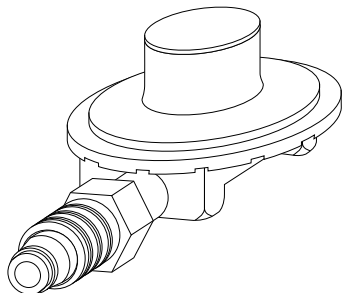
**Maxitrol**



**Harper Wyman**

### Standard Pressure Regulator

- Used on all of our standard drop-ins, cooktops and ranges
- Regulate pressure at 10" W.C.



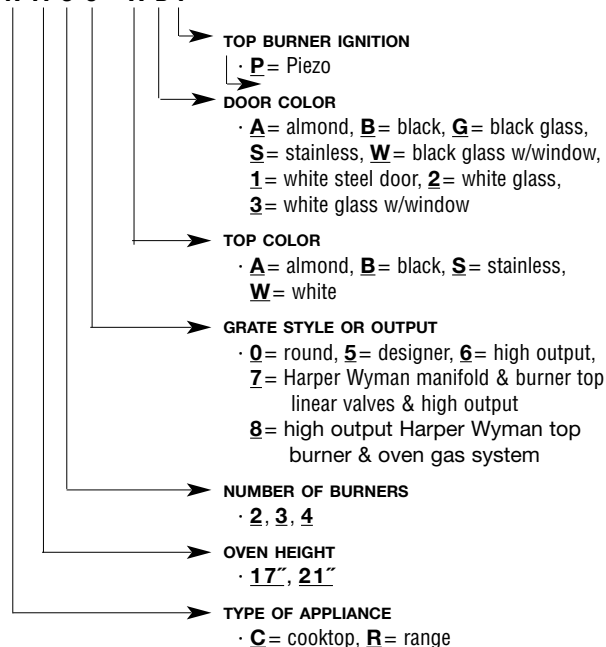
### High Pressure Regulator

- Product Serial # begins with HP.
- Pressure is 16 psi
- Special cooking appliances designated for outdoor use only

# Model Number Identification

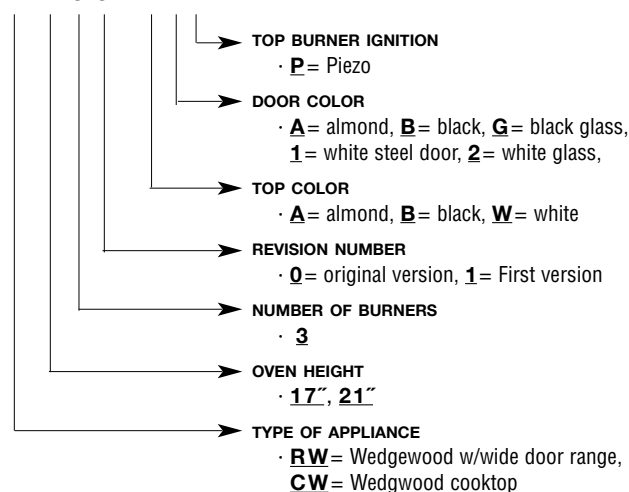
## NARROW DOOR - OLD WEDGEWOOD - Range, Cooktop & Slide-In

R 17 3 6 - A B P



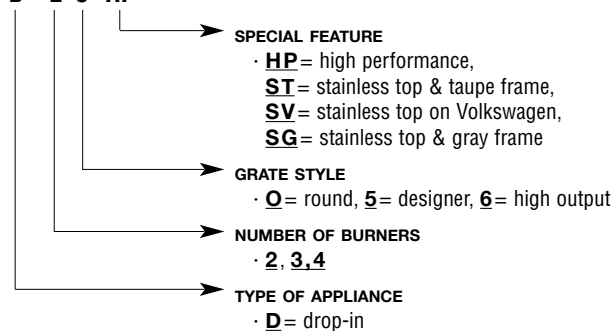
## WIDE DOOR - OLD WEDGEWOOD - Range, Cooktop and Slide-In

RW 21 3 0 - A B P



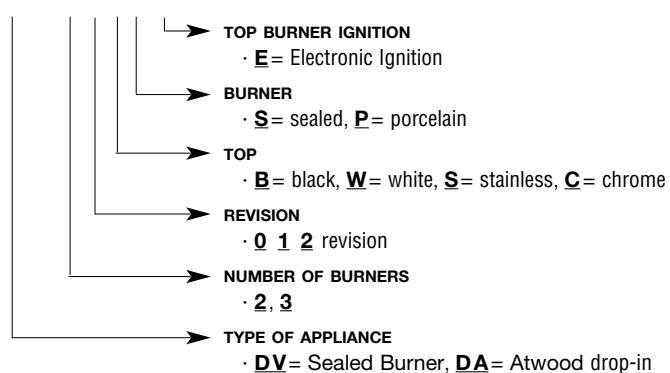
## OLD WEDGEWOOD - Drop-In Cooktop

D- 2 5 HP



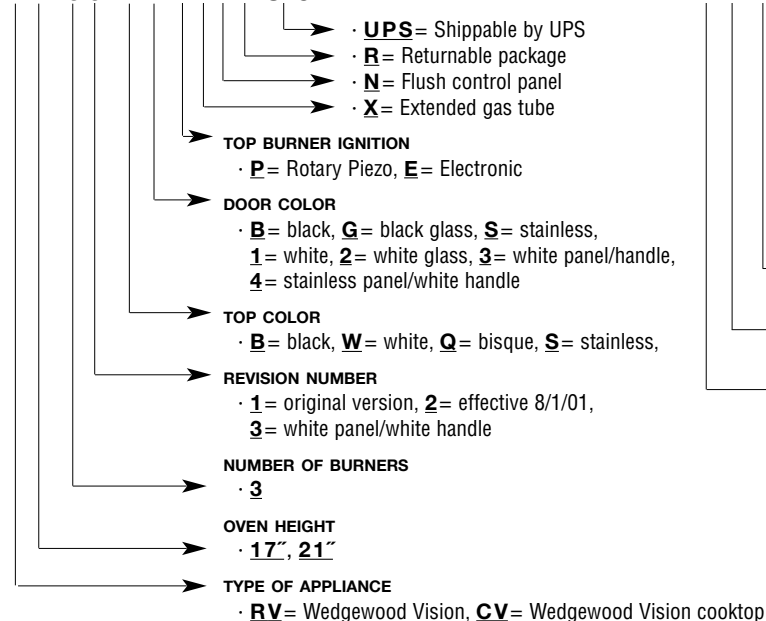
## ATWOOD (DV)- OLD ATWOOD (DA) Drop-In Cooktop with Open Burners

DV - 2 0 B S E



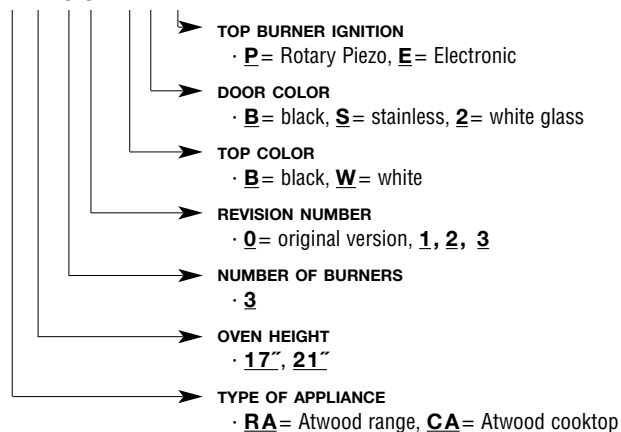
## WEDGEWOOD VISION - Range, Cooktop & Slide-In

RV21 3 3 - B B P X N R UPS



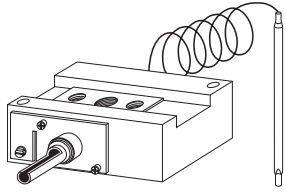
## ATWOOD - Range (Oven & Cooktop w/Sealed Burners) & Slide In

RA21 3 3 - B B E

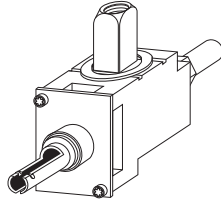


# Range & Oven Gas Components

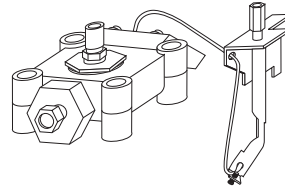
## Robertshaw



Oven Control /  
Thermostat



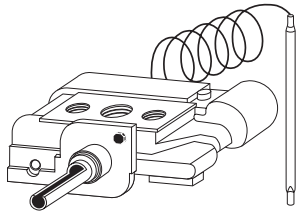
Burner Valve



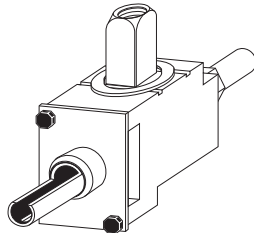
Safety Pilot Valve

- The top burner components mounted on a silver square manifold.
- Ranges in the serial number sequence WT30000 through W840000 used either this system or the Harper Wyman System.
- On a Robertshaw system the following exists:
  - a. the face of the oven control says R.C.C. (Robertshaw Control Company)
  - b. the lowest temperature on oven knob is 170°
  - c. the face plate of oven control and burner valves have silver torx head screws.

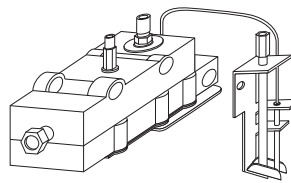
## Harper Wyman



Oven Control /  
Thermostat



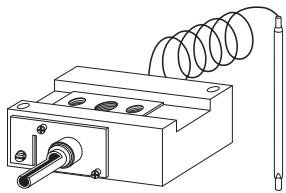
Maxi Burner Valve



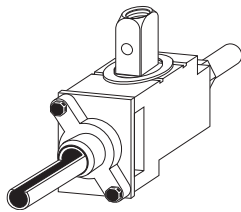
Safety Pilot Valve

- The top burner components mounted on a silver square manifold.
- Ranges in the serial number sequence WT30000 through W840000 used either this system or the Robertshaw System.
- On a Harper Wyman the following pertains:
  - a. the face of the oven control says H.W. (Harper Wyman)
  - b. the lowest temperature on oven knob is 140°
  - c. the face plate screws on the burner and oven valves are black and have octagonal heads.

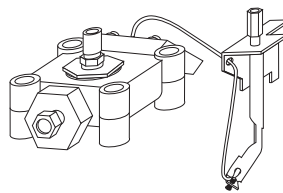
## Combination - Harper Wyman/Robertshaw



Robertshaw Oven  
Control / Thermostat



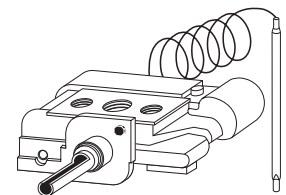
Harper Wyman Mini  
Burner Valve



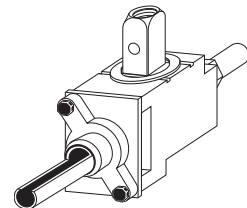
Robertshaw Safety  
Pilot Valve

- Products whose model number is R or C \_\_\_7-\_\_\_ have combined system (R2137-A).
- Top burner system is Harper Wyman
- Lowest temperature on oven knob is 170°
- Oven control system is Robertshaw

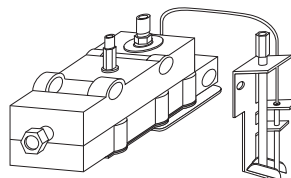
## Harper Wyman



Harper Wyman Oven  
Control / Thermostat



Harper Wyman Mini  
Burner Valve

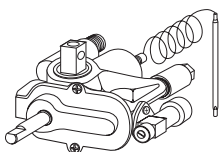


Safety Pilot Valve

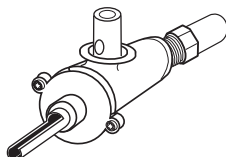
- Ranges whose model number is R \_\_\_8- 32 have a complete Harper Wyman range valve system
- Cooktops whose model number is C \_\_\_8- 32 to current model have a complete Harper Wyman valve system
- Top burners are Harper Wyman and linear.
- Lowest temperature on oven knob is 170°
- Oven control and safety pilot valve are also Harper Wyman.

## Copreci

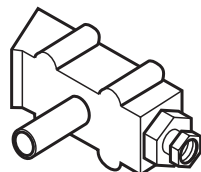
- Mercury free.



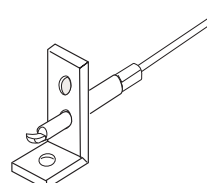
Copreci Oven  
Thermostat



Burner Valve



Orifice Block



Pilot Assembly

- Ranges whose model number is R \_\_\_3 have a Copreci oven thermostat with Mueller burner valves for the stove top.
- Lowest temperature on oven knob is 300°
- Slide-ins whose model number is C\_3 have Mueller burner valves.
- Pilot assembly is White Rodgers

# Model 33 Sequence of Operation

**Standard Pressure Regulator** - this valve receives up to 13" W.C. gas pressure from LP bottles, and reduces it 10" W.C. for the manifold.



**Manifold** - a continually pressurized pipe distributing gas to top burner valves and oven valve.



**Oven Thermostat (Copreci)** - supplies gas to the oven pilot, main burner and regulates the oven temperature.



**Pilot Assembly** - the pilot looks exactly like the water heater pilot, but there are some differences (bend and thermocouple hole size). They are not interchangeable.

The operator holds the magnet in initially by pushing the knob at the pilot/push/hold rotation.

The pilot needs to be lit manually and held in for about 5 seconds.



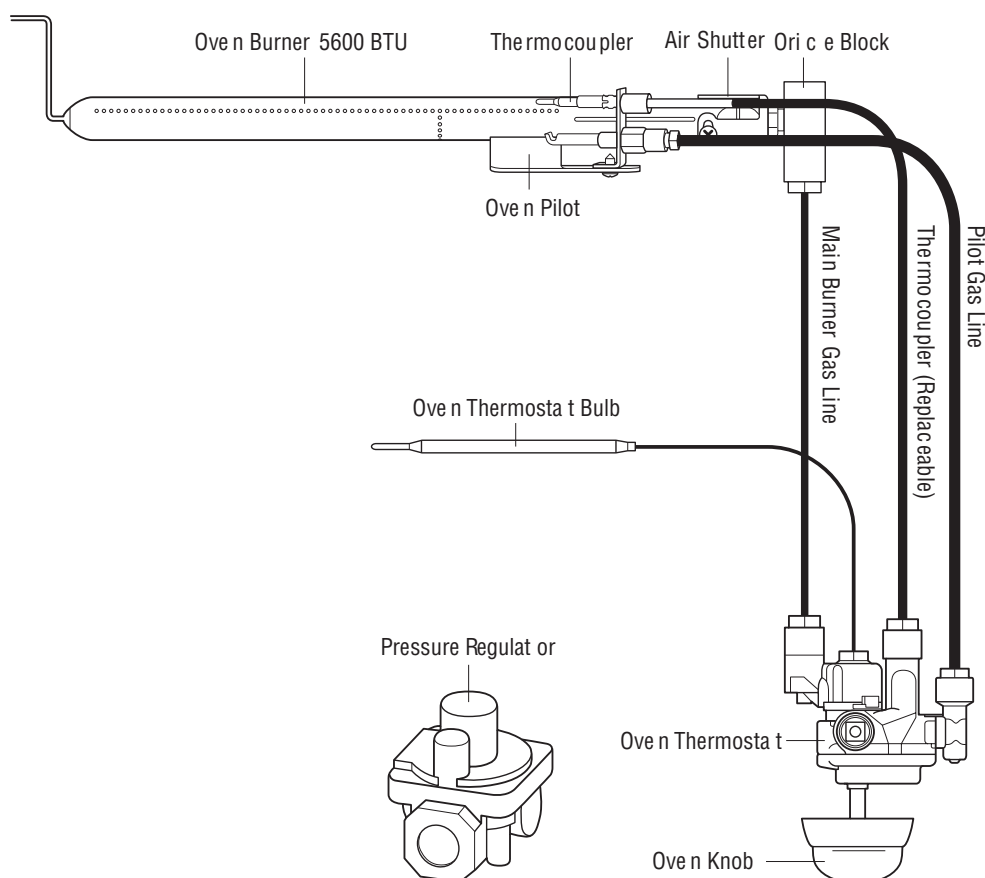
**Oven Thermostat** - senses oven temperature by means of a thermal bulb (no mercury) located in the upper rear of the oven. The oven control knob is set to the desired temperature calling for heat; the fluid expands in the bulb, opens a seat in the thermostat and supplies gas to the orifice block. The block contains the orifice for the main burner. Gas enters the burner to be ignited from the pilot.



**Oven Burner** - the oven burner remains **on** once the oven is turned on. The **size** of the flame is changed (higher or lower) by the thermostat depending on the set temperature and whether the capillary has been satisfied.

NOTE: Safety valve will remain open as long as the thermal couple senses the pilot flame.

## Component Identification



# Sequence of Operation - Prior to Model 33

**Standard Pressure Regulator** - this valve receives up to 13" W.C. pressure gas from LP bottles, and reduces it to 10" W.C. for the manifold.



**Manifold** - a continually pressurized pipe distributing gas to top burner valves and oven valve.



**Oven Thermostat** - supplies gas to the oven pilot, the safety pilot valve, and regulates the oven temperature.



## PILOT ASSEMBLY

**Standby Pilot** - with the oven knob placed in the pilot position, the oven valve will supply gas to the pilot assembly. This standby pilot will stay lit until the oven knob is turned to the OFF position. It also supplies the gas for the heater pilot.



**Heater Pilot** - on initial start-up, when the oven thermostat knob is turned to the desired temperature, the volume of gas increases from the thermostat and the smaller standby pilot increases to a larger heater pilot flame. This higher pilot flame heats the thermocouple thereby opening the safety pilot valve to allow gas to flow to the oven burner. The heater pilot thereafter only comes on when the thermostat calls for heat.



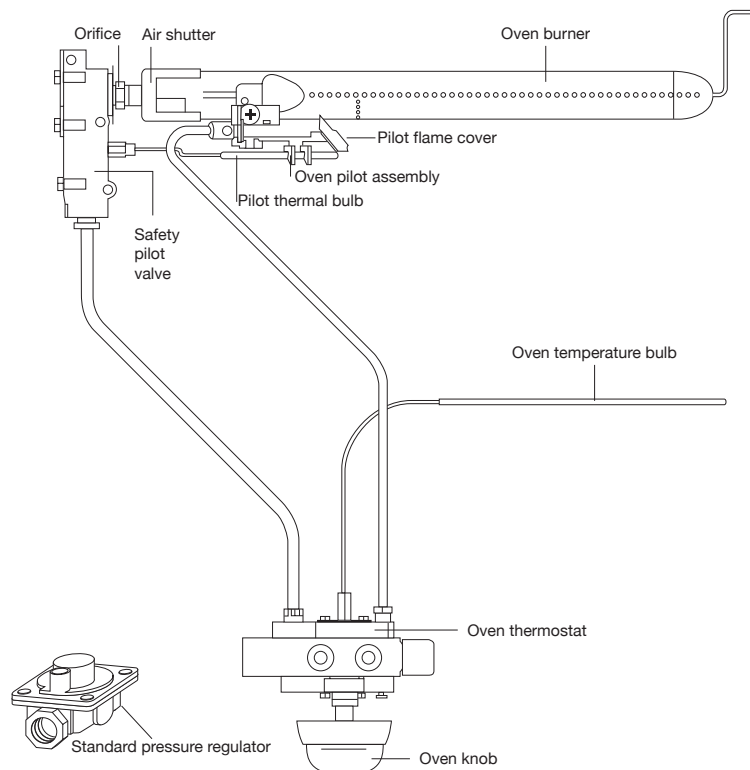
**Safety Pilot Valve** - controls the gas flow to the oven burner. The valve is operated by a thermal bulb located over the heater pilot. When this bulb is heated, it opens the safety pilot valve which then supplies gas to the oven burner.



**Oven Thermostat** - senses oven temperature by means of a thermal bulb located in the top of the oven. The oven control knob is set to the desired temperature calling for heat, the fluid expands in this bulb, opens a seat in the thermostat and supplies gas to the safety pilot for the higher heater pilot. This heater pilot initiates the process for starting the oven burner as described above. When the oven temperature is satisfied, the fluid in this bulb decreases which closes a seat in the oven valve and throttles the pilot size down to the standby pilot mode thereby shutting the oven burner OFF. This cycle will continue until the range is turned off.

- The temperature tolerance of the thermostat is  $\pm 25^{\circ}\text{F}$ .
- The oven burner will come on approximately 1-1/2 minutes from a cold start and 10 seconds from a hot start.
- The oven burner may cycle during the broil mode.

## Component Identification



Effective: 12/15/06

Guides are only intended for use on Atwood<sup>®</sup> products by service technicians who have successfully completed Atwood<sup>®</sup> training. This guide should be used in conjunction with the appropriate Instruction Manual provided with the product and any applicable Industry Standards. This is not intended to be a complete list. Please direct questions concerning service of Atwood<sup>®</sup> products to 866-869-3118 before proceeding.

<b>CAUSE</b>	<b>SOLUTION</b>
--------------	-----------------

---

**RANGE PILOT WON'T LIGHT OR STAY LIT**

- |   |  |
|---|--|
| Insufficient gas pressure                     | 1. Check for gas leaks and have regulator checked by qualified LP gas technician       |
|   | 2. Check gas supply  |
|   | 3. Set pressure to 11" W.C. with two or more gas appliances running                    |
| Supply valve closed                           | Turn valve on  |
| Blocked pilot orifice, or blocked flash tubes | Clean pilot orifice with toothpick; clean flash tubes                                  |
| Pilot flame cover out of position,            | Reposition pilot flame cover, and/or remove carbon and/or coated with carbon build up. |

**BURNER(S) WON'T LIGHT OR STAY LIT**

- |                           |  |
|---------------------------|--|
| Insufficient gas pressure | Check for gas leaks, have regulator checked by qualified LP gas technician |
| Incorrect air/gas mixture | Adjust air shutter if applicable   |
| Blocked orifice           | Clean with toothpick   |

**BURNER LIGHTS, BUT FLAME IS TOO SMALL**

- |                          |  |
|--------------------------|--|
| Improper gas pressure    | Check for gas leaks, have regulator checked by qualified LP gas technician |
| Improper air/gas mixture | Adjust air shutter if applicable   |
| Problem burner valve     | Replace burner valve   |
| Blocked orifice          | Clean with toothpick   |

**BURNER FLAME LIFTS OFF BURNER HEAD**

- |                       |   |
|-----------------------|---|
| Gas pressure too high | Have regulator check by a qualified LP gas technician |
|-----------------------|---|

**OVEN BURNER LIGHTS, BUT FLAME REMAINS VERY SMALL AND OVEN HEATS VERY SLOWLY**

- |                       |  |
|-----------------------|--|
| Improper gas pressure | Check for gas leaks, have regulator checked by qualified LP gas technician |
| Blocked orifice       | Clean with alcohol and cotton swab   |

**OVEN BURNER FLAME LIFTS OFF BURNER AND OVEN CYCLES TOO FREQUENTLY**

- |                       |  |
|-----------------------|--|
| Gas pressure too high | Have regulator checked by qualified LP gas technician, or improper gas mixture |
|-----------------------|--|

**OVEN COOKS UNEVENLY AND/OR FOOD BURNS ON THE BOTTOM**

- |                             |  |
|-----------------------------|--|
| Poor oven ventilation       | Oven too full for proper circulation - must have 1" clearance in all directions. Ventilation holes in oven bottom (shelf above burner) are covered. Check the top vent (on back of range) it must be clear of all insulation, etc. |
| Problem thermostat          | Replace thermostat.  |
| Oven not preheated          | Oven must be preheated at least 10 minutes.  |
| Thermo bulb out of position | Thermbulb must be in clip on back of oven - pans cannot touch thermo bulb.   |

### OVEN PILOT OUTAGE

Safety Thermal Bulb out of position	Re-position the safety thermal bulb.
Problem thermostat	Replace thermostat
Blocked oven vent	Remove obstruction from vent
Incorrect oven burner gas/air mixture	Readjust air

### YELLOW FLAME TIPS

Improper gas-air mixture	Adjust air shutter if applicable
Low gas pressure	Check gas supply Check for leaks and have the regulator checked Set pressure to 11" water column
RA Ranges and Cooktops	
Improper orifice to burner alignment	Realign burner head and orifice tube assembly Replace orifice

## Operation and Trouble Shooting Guide - 33 Series

### TO LIGHT THE PILOT

Turn the oven knob to the pilot position and push in.  
Hold in for at least 5 seconds until pilot is well established.

### PILOT WILL NOT COME ON

Check to see if the gas is turned on.  
Is there gas in the tanks?  
Check for blockage of the orifice, pilot assembly, or pilot line.  
Check for kinks in the pilot line.

### PILOT WILL NOT STAY ON

Hold oven knob, pilot position, for up to 30 seconds.  
Check gas supply.  
Confirm that thermocouple is fully inserted into the thermocouple holder.  
Pilot flame out of position. Pilot flame is not engulfing thermocouple. Pilot assembly needs to be adjusted so that pilot flame is engulfing thermocouple.  
Test thermocouple.  
Thermostat knob is bottoming out on manifold cover (face plate). If knob can not fully engage, the magnet in the thermostat will not be established. Move manifold out further beyond face plate.

### THERMOSTAT CALIBRATION

The ideal temperature variance is 25 degrees (plus or minus). This means that if the thermostat is set at 350 degrees, the temperature will range between 325 and 375. If the temperature exceeds 50 degrees, plus or minus, check for a kinked capillary tube.

## Identification of Older Wedgewood Systems

### Robertshaw Gas System - Regular Ovens and Cooktop

**Models:** Serial #'s begin with a W and consist of 6 digits.  
(example W840000).

### Robertshaw Gas System - High BTU 3 burner Range and

**Cooktop Models:** Serial #'s begin with a SB and consist of 4 to 9 digits.

### PART DIFFERENCES FOR ALL HIGH BTU RANGES AND MAINTOPS-

- Same oven control, regulator, safety-pilot & oven burner as regular ovens & cooktops.
- Earlier models used 2-52123 burner valves on rear burners.
- Manifolds, top burners and maintops are different from standard ranges.

### You can identify the system by one of the following:

1. Look at the oven control face plate (behind the knob)  
H.W. = Harper Wyman  
R.C.C. = Robertshaw Control Co.
2. By looking at the first temperature on the oven knob  
140 degrees = Harper Wyman system  
170 degrees = Robertshaw system
3. Manifold (shape and color)

Both Robertshaw and Harper Wyman use a dull grey square manifold pipe.

 <b>WARNING</b> PERSONAL INJURY & PROPERTY DAMAGE
• Copreci, Robertshaw and Harper Wyman gas systems are not interchangeable.



**HARPER WYMAN SYSTEMS  
EARLY WEDGEWOOD MODELS WITH OLDER SYSTEMS**

**Between the years of 1991 to 1993** our gas systems were divided between Harper Wyman and Robertshaw. The serial numbers that involve a Harper Wyman and Robertshaw system would be in serial number series W73000 to W839999. The burner maintops and all cosmetic parts are the same. The gas system will be the only difference.

**DURING 1978 TO 1980** we used all black square manifolds with the above burner valve, but we used a different oven control/thermostat 3902262 which did not offer a constant burning pilot in oven. They light the pilot on LOW TEMP AND THEN MOVE TO DESIRED TEMPERATURE. When done cooking they simply turn to off. The pilot had to light each time they got ready to use the oven. This control is NO LONGER AVAILABLE, however, you can sub it with the following:

**51095** - - -Oven control/thermostat looks just like the 3902262 but, this will have a pilot on position where they don't have to light pilot before each use. This control when subbing for the 3902262 must change the oven knob to 51059 (also, known as 52286) even though the controls look alike, the knobs must be changed to provide correct substitution.

Rest of the gas system is as follow:

**51096** - - -Burner Valve NO LONGER AVAILABLE (same as 51224)

**51063** - - -Safety Valve (same as 51177)

**51062** - - -Regulator (same as 52154)

All these parts are still available, no substitutes

**DURING 1981 TO 1983** we used the black square manifold systems, along with a different Harper Wyman system, different from the one in 1991 to 1993.

**DURING THE MIDDLE YEARS 1960'S TO 1972** Wedgewood used a gas system that used a black round manifold, with the oven control mounting to the front of the stove and does not mount to a manifold. This system is no longer available and no substitutions are available for that system. Part numbers and listed, Johnstone Supply Co. was the supplier. The obsolete part numbers were as follow:

Serial numbers on these ranges would start with the letters C, E, F, and consist of 5 to 6 digits.

Atwood will not be able to supply any parts.

During the Wedgewood years the part numbers consisted of 7 digits. When Atwood took over they needed the part numbers to consist of 5 digits only. Wedgewood took existing part numbers and dropped the 390 keeping the last four digits and added a 5 to the front (example: 3902281 became 52281).

**DURING THE YEARS OF 1972 TO 1978** the following systems were used. We've noted the replacements for these no longer available controls. Serial numbers started with a J, K, G, H and consisted of 5 to 6 digits;

**3901183** Oven control mounted to a black square manifold this control used two screws to mount it and the screws went completely through the oven control. NO LONGER AVAILABLE.

**USE:** 51095 Oven control/thermostat (old 52281) looks different, takes shorter screws for mounting. MUST CHANGE KNOB FOR 51095 TO WORK. Order oven knob #51059, (old 52286) It is designed for the calibration of the control.

**3901175** Oven control mounted to a black square manifold. This control installs the same as above, however, it had 3 ports on back; one for center gas pilot. NO LONGER AVAILABLE.

**USE:** 51095 Oven control/thermostat (old 52281). It looks different, and will DISCONTINUE the center pilot between burners on top. To continue this feature you need to purchase new manifold pipe with ON and OFF valve for center pilot. Knob also needs to be replaced with 51059 (old 52286)

**3901184** Oven control mounted to a black square manifold for eye level ranges only. NO LONGER AVAILABLE FOR SUBSTITUTE

**3901224** Burner valve used with above controls same as 51224 or use blister pack number 51096. Still available from Atwood. They only mount to BLACK SQUARE MANIFOLDS.

**DROP-INS** - Wedgewood also, makes drop-in models (D20, D25, D30, D35). We have used this system approximately from the **END OF 1992 TO 1995**, however, February and March of 1995 we changed one burner valve on D30, D35 models. The front burner has been changed to a Hi BTU burner 6500 BTU valve on both burners for models D20 and D25.

Burner valves that are regular 5200 BTU have a black face plate, 6500 BTU valves have a gold face plate.

Maintops are ordered by Model number and color.

Before Atwood purchased Wedgewood in 1986 the model numbers were different. Below is a cross reference chart.

WEDGEWOOD	ATWOOD	DISCONTINUED		
T212	C30	T312	C35	D20
T214	C40	T314	C45	D20
T2122	R1730	T3122	R1735	D25
T2130	R1740	T3130	R1745	D25
T2150	R2140	T3150	R2145	D35
T2142				D25SV
				D25ST
				S=25WHP

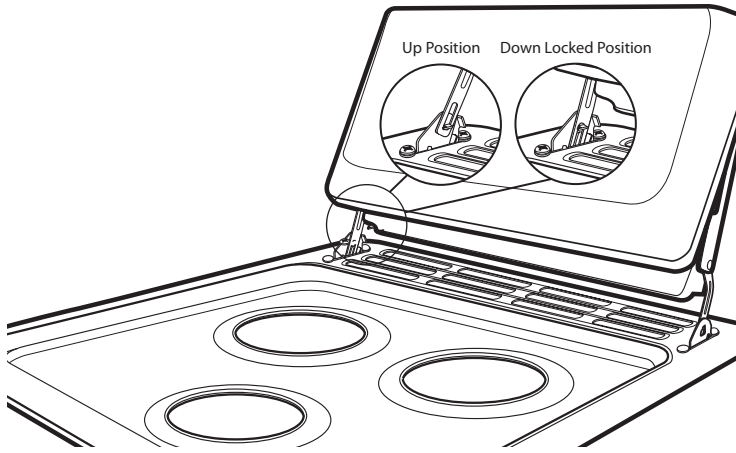
If you have a Wedgewood Model number you can use the parts list for Atwood model numbers for cosmetic parts. Depending on the age of the range, the gas system may not be the same. Gas system parts are ordered by either Model or Serial number.

Wedgewood Models numbers discontinued are as follow:

W7102	T2172LL	W2172C
W7103	W2172LL	C7200
		C7300

# Cooking Appliance Terminology

Terminology	Definition	Terminology	Definition
<b>Burner Electrode</b>	The spark source to light top burners with piezo/12 VDC electronic ignition. Replaceable for 33 range series.	<b>Piezo Igniter</b>	An electro-mechanical device that can be used to ignite a top burner.
<b>Calibration</b>	The condition that determines whether the thermostat is registering temperatures properly.	<b>Pilot Orifice</b>	A precision drilled thimble shaped component that meters gas flow to the pilot.
<b>CSA</b>	American National Standard for Recreation Vehicle Cooking Gas Appliances	<b>Regulator</b>	Device that reduces the high pressure from the LP bottles to a lower pressure for the appliances.
<b>Electronic Ignition</b>	12v DC module activated by switch to ignite top burners.	<b>Sealed Burner</b>	A burner head attached directly to the porcelain main top which prevents spilling to the burner box.
<b>Heater Pilot</b>	An extension of the standby pilot that opens the oven safety valve, on older ranges, to enable gas to flow to the oven burner.	<b>Standby Pilot</b>	The oven pilot that burns constantly and provides the base for the heater pilot.
<b>Main Burner Orifice</b>	A precision drilled thimble shaped component that meters gas flow to the main burner.	<b>Thermal Bulb</b>	The bulb located in the oven and connected to the thermostat that contains thermal fluid and causes the thermostat to close and open based on the set cooking temperature.
<b>Manifold</b>	The constantly pressurized tube or pipe that supplies gas to the burner valves.	<b>Thermocouple</b>	Senses pilot flame for the oven and controls safety valve and thermostat.
<b>Oven Safety Valve</b>	The valve, on older ranges, that controls the gas flow to the main burner.	<b>Yellow Tipping</b>	A burner flame with excessive yellow tipping can be caused by improper gas/air mixture. Caused by improper alignment or restriction of orifice and venturi tube.
<b>Oven Thermostat</b>	It is the component that regulates the temperature of the oven at the desired cooking temperature and supplies gas for both the standby and heater pilots.		

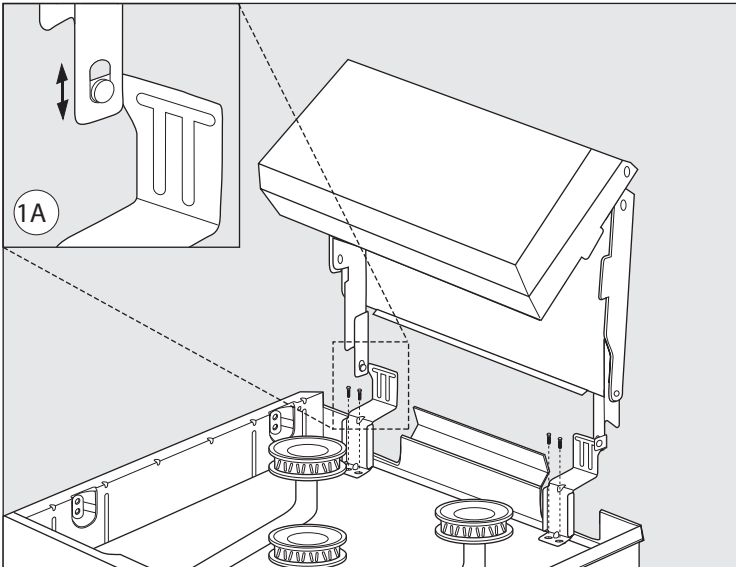


## Model 33 Bi-fold Cover use with **SLOTTED TOPS**

MODEL NUMBER	DESCRIPTION	P/N #
BFC2-B	black, single	54106
BFC2-W	white, single	54107
BFC2-S	stainless, single	54102

(Applicable after serial number G10020000) Start date 10-2-06

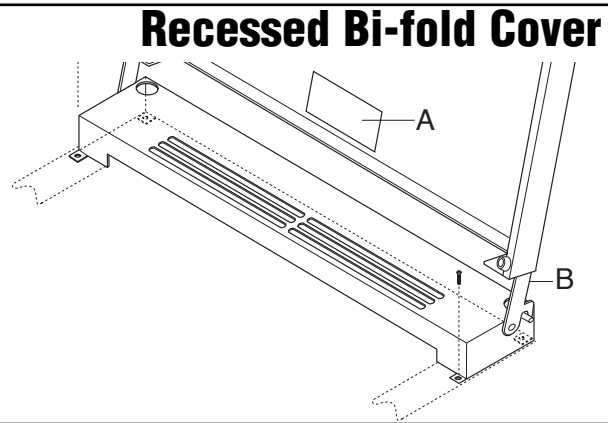
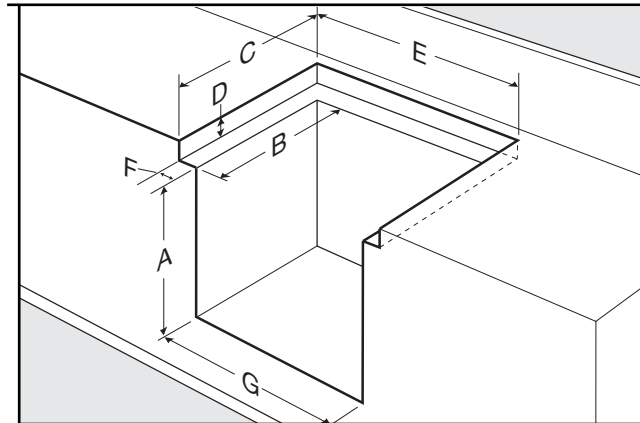
<b>HINGE REPLACEMENT KIT</b>	51031
includes left and right hinges	



## Bi-fold Cover use with **UNSLOTTED TOPS**

MODEL NUMBER	DESCRIPTION	P/N #
BFC1-B	black, single	56417
BFC1-W	white, single	56418
BFC1-S	stainless, single	55895
BFC9-B	black, single	56399
BFC9-W	white, single	56398

(Applicable before serial number G10020000)



### COUNTER CUT OUT DIMENSIONS - RECESSED

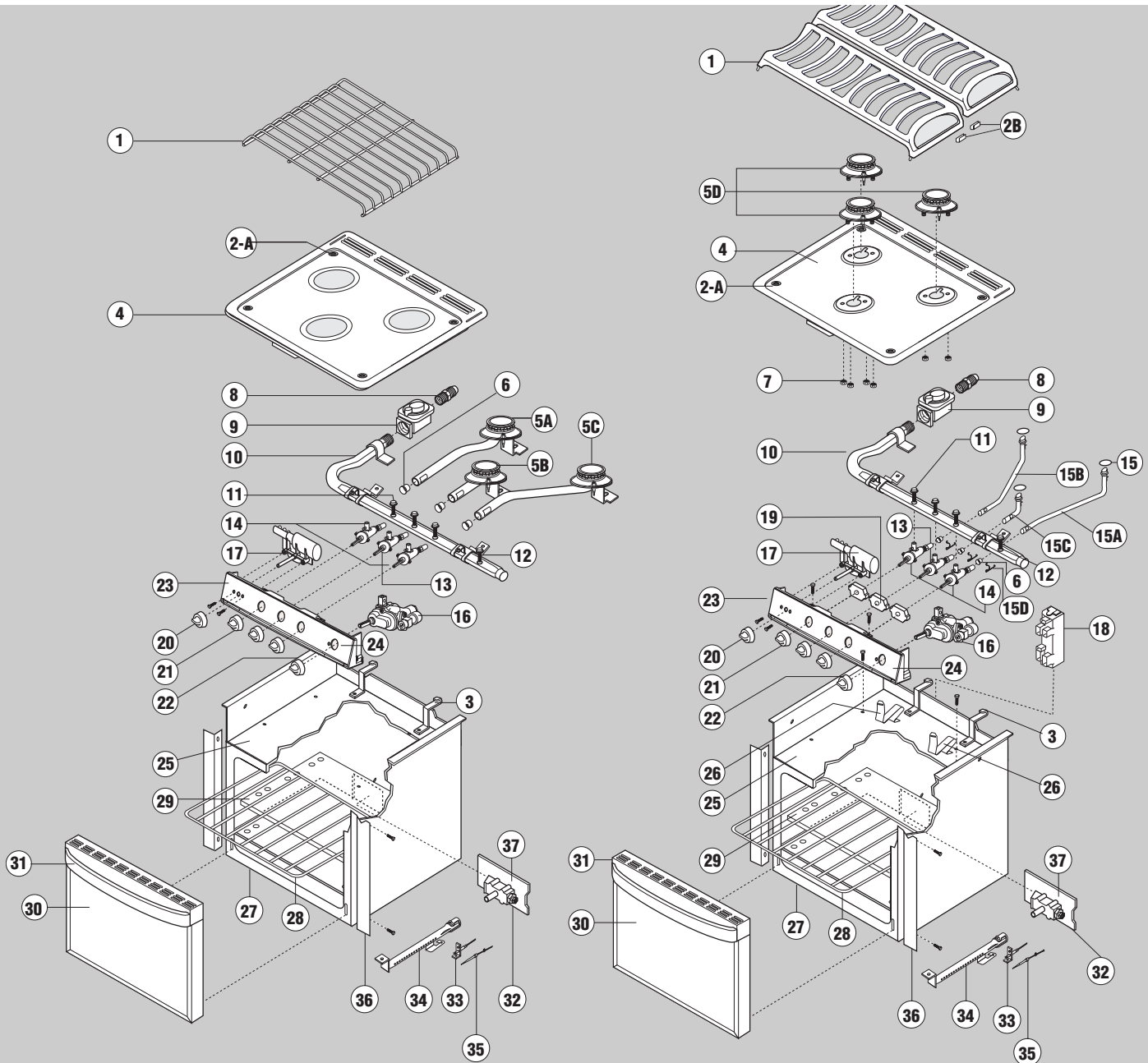
LAMINATE MATERIAL		MPD PART #	R OVEN						C		B						D		E		F		G	
			17"		21"		SLIDE-IN																	
			A		A		A																	
IN	MM		IN	MM	IN	MM	IN	MM	IN	MM	IN	MM	IN	MM	IN	MM	IN	MM	IN	MM	IN	MM		
1/4	6	56397	17	432	21	533	3	76	18.5	470	20.5	521	2.31	59	24.63	625	2.19	56	20.25	514				
1/32	.8	56391	17	432	21	533	3	76	18.5	470	20.5	521	1.84	47	24.63	625	2.19	56	20.25	514				
LAMINATE MATERIAL		MPD PART #	RV & RA OVEN						CV & CA		B						D		E		F		G	
			17"		21"		SLIDE-IN																	
			A		A		A																	
IN	MM		IN	MM	IN	MM	IN	MM	IN	MM	IN	MM	IN	MM	IN	MM	IN	MM	IN	MM	IN	MM		
1/4	6	56397	16	406	20	508	3	76	17.75	451	19.75	502	2.31	59	24.63	625	2.19	56	20.25	514				
1/32	.8	56391	6	406	20	508	3	76	17.75	451	19.75	502	1.84	47	24.63	625	2.19	56	20.25	514				

# MODEL 33 - WEDGEWOOD (RV / CV) - ATWOOD (RA / CA)

## Range & Slide-In Parts Identification

RV SERIES - MATCH LIGHT, PIEZO & ELECTRONIC IGNITION

RA SERIES - PIEZO & ELECTRONIC IGNITION



ITEM	DESCRIPTION	WEDGEWOOD		ATWOOD	
		RV		RA	
		1733	2133	1733	2133
30	Door assembly includes handle - black steel	51977	51983	51977	51983
30	Door assembly includes handle - white steel	51978	51984	51978	51984
30	Door assembly includes handle - white glass	51981	51987	51982	51988
30	Door assembly includes handle - black glass	51980	51986	51980	51986
30	Door assembly includes handle - stainless steel	51958	51992	51958	51992
30	Door assembly white handle - white steel	51957		51957	
	DOOR-Glass Insert - Sm BLACK	51881		51881	
	DOOR-Glass Insert - Lg BLACK		51882		51882
	DOOR-Glass Insert - Sm WHITE	51883		51883	
	DOOR-Glass Insert - Lg WHITE		51884		51884
31	Oven Door Handle - black	51124	51124	51124	51124
	Oven Door Handle - white	51126	51126	51126	51126

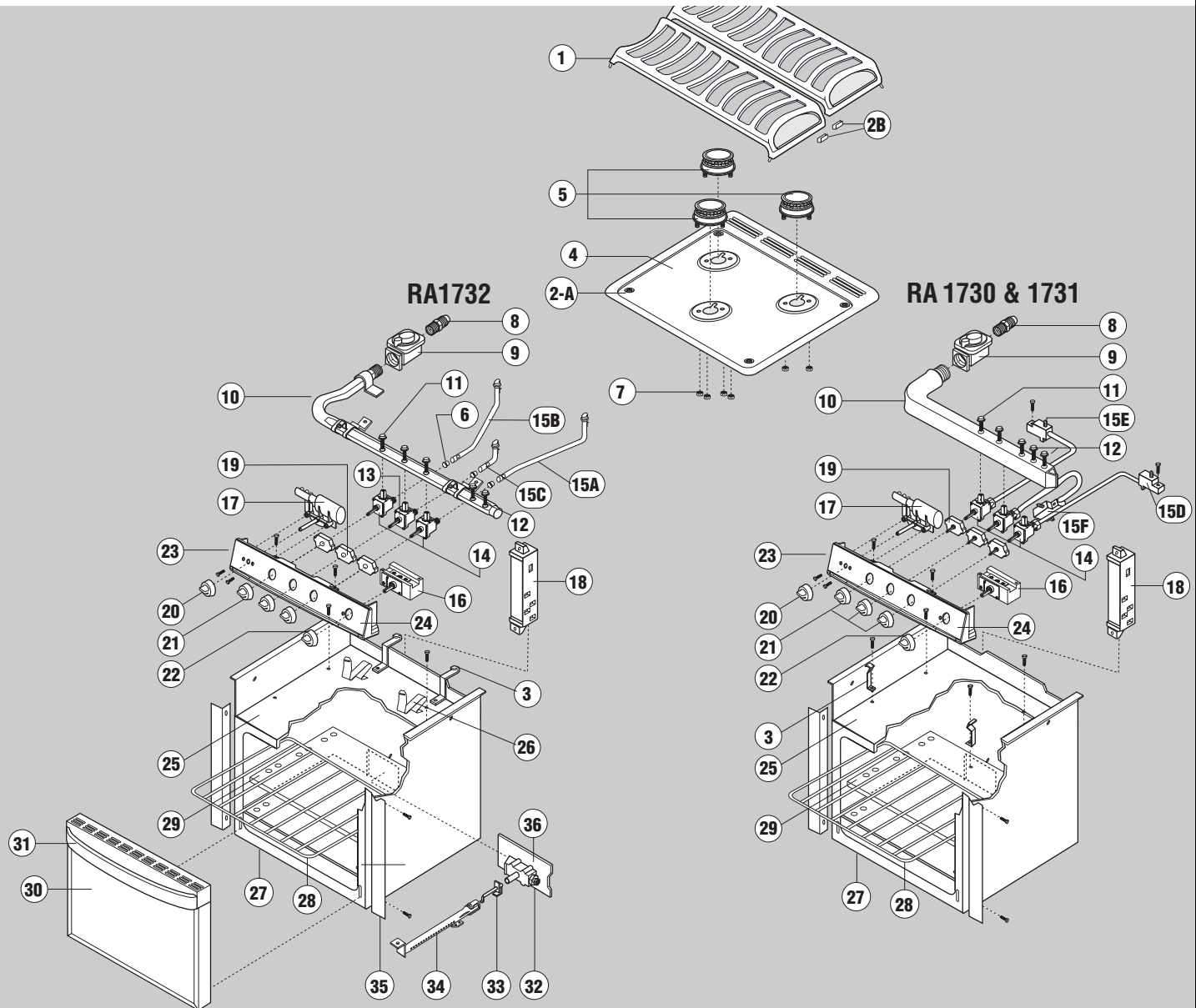
ITEM	DESCRIPTION	WEDGEWOOD			ATWOOD		
		RV		CV	RA		CA
		1733	2133	33	1733	2133	33
1	Grate - black	56272	56272	56272	57190❖	57190❖	57190❖
2A	Grommet (4) ❖	53009	53009	53009	53009	53009	53009
2B	Sealed Grate U-Channel (4) ❖				57194	57194	57194
3	Top Spring Clip (2) ❖	51035	51035	51035	51035	51035	51035
4	Range Top Assy - white	52007	52007	52007	57300	57300	57300
	Range Top Assy - black	52008	52008	52008	57299	57299	57299
	Range Top Assy - bisque OBS - USE BLACK OR WHITE						
	Range Top Assy - stainless steel	56742	56742	56742	57305	57305	57305
5A	Burner, Piezo - left rear	57205	57205	57205			
5A	Burner, Matchlit - left rear	57206	57206	57206			
5B	Burner, Piezo - center front	57201	57201	57201			
5B	Burner, Matchlit - center front	57202	57202	57202			
5C	Burner, Piezo - right rear	57203	57203	57203			
5C	Burner, Matchlit - right rear	57204	57204	57204			
5D	Burner, Piezo/Electronic Ignition				57276	57276	57276
6	Bushing - Burner (3) ❖	53011	53011	53011	53011	53011	53011
7	Hex Nut (2) ❖				51004	51004	51004
8	Brass Fitting	52294	52294	52294	52294	52294	52294
9	Pressure Regulator	51062	51062	51062	51062	51062	51062
10	3-Burner Manifold (AFTER SERIAL # F11040784) (Dbl D)	57217	57217	57216	57217	57217	57216
	3-Burner Manifold (BEFORE SERIAL # F11040783)	57270	57270	57268	57270	57270	57268
11	Bolt-Valve (3) ❖	57278	57278	57278	57278	57278	57278
12	Bolt - Oven Thermostat	57266	57266		57266	57266	
13	Valve, Burner-Mini 9000 BTU (AFTER SERIAL # F11030969) (GREEN)	57218	57218		57218	57218	
	Valve, Burner-Mini 9000 BTU (BEFORE SERIAL # F11030968)	57252	57252		57252	57252	
	Valve, Burner-Mini 9000 BTU (AFTER SERIAL # F11040784) (GREEN)			57218			57218
	Valve, Burner-Mini 9000 BTU (BEFORE SERIAL # F11040783)			57252			57252
14	Valve, Burner-Mini 6500 BTU (AFTER SERIAL # F11030969) (YELLOW)	57213	57213		57213	57213	
	Valve, Burner-Mini 6500 BTU (BEFORE SERIAL # F11030968)	57251	57251		57251	57251	
	Valve, Burner-Mini 6500 BTU (AFTER SERIAL # F11040784) (YELLOW)			57213			57213
	Valve, Burner-Mini 6500 BTU (BEFORE SERIAL # F11040783)			57251			57251
15	Burner Gasket Kit (INCLUDES 3)				50140	50140	50140
15A	Burner Tube - right rear				57110	57110	57110
15B	Burner Tube - left rear				57108	57108	57108
15C	Burner Tube - center front				57109	57109	57109
15D	Burner Clip, wire (3) ❖				57198	57198	57198
16	Thermostat, oven control	57294	57294		57294	57294	
17	Piezo Igniter	56096	56096	56096	56096	56096	56096
18	12V Ignition Module	57277	57277	57277	57277	57277	57277
19	Valve Ignition Switch	57262	57262	57262	57262	57262	57262
20	Piezo Knob -black	51344	51344	51344	51344	51344	51344
	Piezo Knob -white	53223	53223	53223	53223	53223	53223
21	Burner Knob - black (3) ❖	56148	56148	56148	56148	56148	56148
	Burner Knob - white (3) ❖	53221	53221	53221	53221	53221	53221
22	Oven Thermostat Knob - black	57258	57258		57258	57258	
	Oven Thermostat Knob - white	57291	57291		57291	57291	
23	Control Panel Assy- w/o Label	*	*	*	*	*	*
24	Control Panel Label	*	*	*	*	*	*
25	Burner Box	51687	51687	51687	51687	51687	51687
26	Burner Spring Clips (3) ❖				57095	57095	57095
27	Oven Can	51969	51970		51969	51970	
28	Oven rack	51069	51069		51069	51069	
29	Oven shelf	51670	51670		51670	51670	
32	Orifice Block	57271	57271		57271	57271	
33	Pilot Assembly	57247	57247		57247	57247	
34	Burner, oven	57275	57275		57275	57275	
35	Thermocouple	57274	57274		57274	57274	
36	Oven Can Trim	51975	51976		51975	51976	
37	Orifice Block Plate	57310	57310		57310	57310	
N/S	Wiring Harness - Electronic Ignition Switches				57262	57262	57262
	Wiring Lead - Electronic Ignition Electrodes				57261	57261	57261
	Wiring Lead - Electronic Ignition Ground				57260	57260	57260
N/S	Wiring Lead - Piezo (3) ❖	57264	57264	57264	57264	57264	57264
N/S	Burner Electrode (3) ❖	54800	54800	54800	54800	54800	54800
N/S	Hinge Assembly (3) ❖	51972	51991		51972	51991	
N/S	KIT - Door Seal	51060	51061		51060	51061	
N/S	KIT - Gas Tube Supply Oven	57273	57272		57273	57272	
N/S	Nylon Edge Guard (4) ❖	53218	53218	53218			
N/S	Thermal bulb clip	51364	51364		51364	51364	
N/S	Towel Bar			53205			53205

N/S Not shown in illustration    OBS - Obsolete    ❖ Order quantity needed    ⌘ While supplies last    \* Order by model, color and style

# RA CA (30-31-32) SERIES RANGE & SLIDE-IN

## Range & Slide-In Parts Identification

### Piezo and Electronic Ignition



30 DOOR CHART	RA-1732	RA-1731	RA-1730	RA-2132	RA-2131	RA-2130
BLACK PANEL/BLACK HANDLE	51977	51977		51983	51983	
WHITE PANEL/BLACK HANDLE	51978	51978		51984	51984	
WHITE GLASS-WHITE FRAME/BLACK HANDLE	51982	51982		51988	51988	
BLACK GLASS-BLACK FRAME/BLACK HANDLE	51980	51980		51986	51986	
WHITE GLASS-BLACK FRAME/BLACK HANDLE	51981	51981		51987	51987	
STAINLESS PANEL/WHITE HANDLE	51951	51951				
DOOR-Glass Insert - Sm BLACK	51881	51881	51881			
DOOR-Glass Insert - Lg BLACK				51882	51882	
DOOR-Glass Insert - Sm WHITE	51883	51883	51883			
DOOR-Glass Insert - Lg WHITE				51884	51884	
DOOR-Panel						
Sm BLACK new solid door style no trim	51581	51581	51581+			
Lg BLACK new solid door style no trim				51583	51583	51583+
Sm WHITE new solid door style no trim	51582	51582	51582+			
Lg WHITE new solid door style no trim			51584+	51584	51584	
Sm STAINLESS new solid door style no trim	51578	51578				

+ New door panel replaces old panel plus frame.

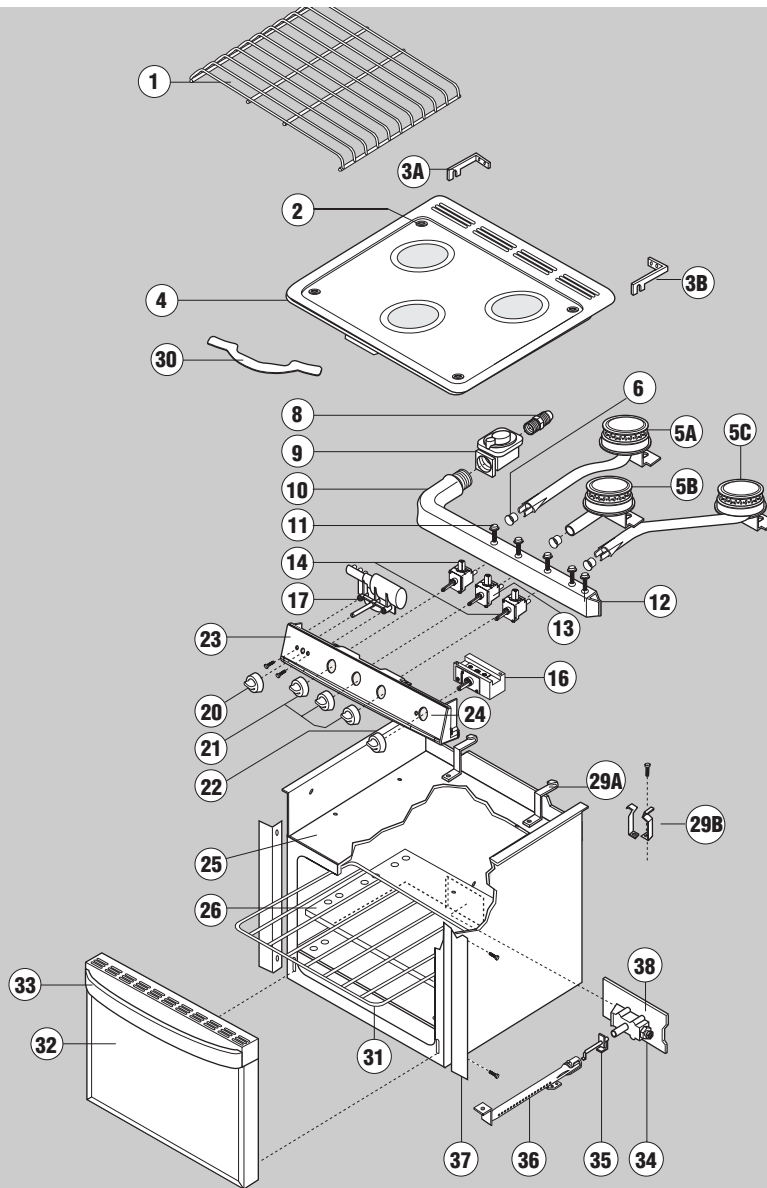
# ATWOOD - Oven & Slide-In Cooktop Parts Identification

ITEM	DESCRIPTION	RA-1732	RA-1731	RA-1730	RA-2132	RA-2131	RA-2130	CA-31	CA-30
1	Grate - BLACK (2) ❖	57190	53443	53443	57190	53443	53443	57190	53443
2A	Grommet (4) ❖	53009			53009			53009	
2B	Sealed Grate U-Channel (4) ❖	57194			57194			57194	
3	Top Spring Clip (2) ❖	51035	51111	51111	51035	51111	51111	51035	
4	Range Top Assy - WHITE	57114	52634OBS	52634OBS	57114	52634OBS	52634OBS	57114	52634OBS
	Range Top Assy - BLACK	57113	52633OBS	52633OBS	57113	52633OBS	52633OBS	57113	52633OBS
5	Burner, Piezo/Electronic Ignition (3) ❖	57180	56207	56207	57180	56207	56207	57180	56207
	Burner, Piezo/Electronic Ignition BLACK (3) ❖		56325 <del>⌘</del>	56325 <del>⌘</del>		56325 <del>⌘</del>			56325 <del>⌘</del>
6	Bushing - Burner (3) ❖	53011			53011			53011	
7	Hex Nut (6) ❖	51004	51004	51004	51004	51004	51004	51004	51004
8	Brass Fitting	52294	52294	52294	52294	52294	52294	52294	52294
9	Pressure Regulator	51062	51062	51062	51062	51062	51062	51062	51062
10	3-Burner Manifold old <b>OBS</b>								
	3-Burner Manifold - round	53198 <del>⌘</del>	53198 <del>⌘</del>	53198 <del>⌘</del>	53198 <del>⌘</del>	53198 <del>⌘</del>	53199	53199	53199
11	Bolt - Valve (3) ❖	53207	56088	56088	53207	56088	56088	53207	
12	Bolt - Oven Thermostat (3) ❖	53208	52125 <del>⌘</del>	52125 <del>⌘</del>	53208	52125 <del>⌘</del>	52125 <del>⌘</del>		
13	Valve, Burner - Mini 9000 BTU (1) ❖	53201			53201			53201	
14	Valve, Burner - Mini 6500 BTU (2) ❖	53200			53200			53200	
15A	Burner Tube Assy -RR	57110			57110			57110	
15B	Burner Tube Assy - LR	57108			57108			57108	
15C	Burner Tube Assy - CF	57109			57109			57109	
15D	Valve, Orifice Tube Assy-Mini 6500 - RR rd mfd		53206	53206		53206	53206		53206
15E	Valve, Orifice Tube Assy-Mini 6500 - LR rd mfd		53203	53203		53203	53203		53203
15F	Valve, Orifice Tube Assy-Mini 9000 - CF rd mfd		53202	53202		53202	53202		53202
16	Thermostat, oven control	56116	56116	56116	56116	56116	56116		
17	Piezo Igniter	56096	56096	56096	56096	56096	56096	56096	56096
18	12V Ignition Module	56162	56162	56162	56162	56162	56162	56162	56162
19	Valve Ignition Switch	56163	56163	56163	56163	56163	56163	56163	56163
20	Piezo Knob -BLACK	51344	51344	51344	51344	51344	51344	51344	51344
20	Piezo Knob -WHITE	53223	53223		53223			53223	
21	Burner Knob - BLACK (3) ❖	56148	56148	56148	56148	56148	56148	56148	56148
21	Burner Knob - WHITE (3) ❖	53221	53221	53221	53221	53221	53221	53221	53221
22	Oven Thermostat Knob - BLACK	53907	53907	53907	53907	53907	53907		
22	Oven Thermostat Knob - WHITE	53222	53222	53222	53222	53222	53222		
23	Control Panel - black	52621	52621	52621	52621	52621	52621	52621	52621
	Control Panel -Electric-white	52606	52606	52606	52606	52606	52606		
24	LABEL - Piezo - black	56177	56177	56177	56177	56177	56177	56179	56179
	LABEL - Piezo - white	56181	56181	56181	56181	56181	56181	56183	56183
	LABEL - Electric-black	56176	56176	56178	56176	56176	56178	56178	56178
	LABEL - Electric-white	56180	56180	56182	56180	56180	56182	56182	56182
N/S	Wiring Harness - Electronic Ignition Switches	56164	56164	56164	56164	56164	56164	56164	56164
	Wiring Harness - Electronic Ignition Electrodes	56165	56165	56165	56165	56165	56165	56165	56165
	Wiring Harness - Electronic Ignition Ground	56184	56184	56184	56184	56184	56184	56184	56184
	Wiring Lead - Piezo	56061	56061	56061	56061	56061	56061	56061	56061
25	Burner Box	51687	51687	51684	51687	51687	51684	51687	51684
26	Burner Clips (3) ❖	57107			57107			57107	
27	Oven Can	51969	51969	51902	51970	51970	51901		
28	Oven rack	51069	51069	51069	51069	51069	51069		
29	Oven shelf	51670	51670	51670	51670	51670	51670		
30	DOOR asmbly - see DOOR CHART (left)								
31	Oven Door Handle - BLACK	51124	51124	51124	51124	51124	51124		
31	Oven Door Handle - WHITE	51126	51126	51126	51126	51126	51126		
32	Safety Valve	56120	56120	56120	56120	56120	56120		
33	Pilot Assembly	56121	56121	56121	56121	56121	56121		
34	Burner, oven	56123	56123	56123	56123	56123	56123		
35	Oven Can Trim	51975	51975	51975	51976	51976	51976		
36	Safety Valve Plate	56139	56139	56139	56139	56139	56139		
N/S	KIT - Door Seal	51060	51060	51060	51060	51061	51061		
N/S	KIT - Gas Tube Kit	51067	51067		51068	51068	51068		
N/S	Door Spring - 17" (2) ❖			51404 <del>⌘</del>					
N/S	Door Spring - 21" (2) ❖						51405		
N/S	Hinge Assy (2) ❖	51972	51972		51991	51991			
N/S	Towel Bar							53205	53205
N/S	Thermal Bulb Clip	51364	51364	51364	51364	51364	51364		

N/S Not shown in illustration    OBS - Obsolete    ❖ Order quantity needed    ⌘ While supplies last

# RV CV (30-31-32) SERIES RANGE & SLIDE-IN

## Range & Slide-In Parts Identification



### WEDGEWOOD VISION - Oven DOOR Parts Identification

ITEM	DESCRIPTION	RV-1732	RV-1731	RV-2132	RV-2131
32	DOOR asmbly w/handle - BLACK STEEL-BLACK PANEL/BLACK HANDLE	51977	51977	51983	51983
	DOOR asmbly w/handle - WHITE STEEL-WHITE PANEL/BLACK HANDLE	51978	51978	51984	51984
	DOOR asmbly w/handle - BLACK GLASS-BLACK FRAME/BLACK HANDLE	51980	51980	51986	51986
	DOOR asmbly w/handle - WHITE GLASS-BLACK FRAME/BLACK HANDLE	51981	51981	51987	51987
	DOOR asmbly w/handle - WHITE GLASS-WHITE FRAME/BLACK HANDLE	51982		51988	
	DOOR asmbly w/handle - WHITE STEEL-WHITE PANEL/WHITE HANDLE	51957			
	DOOR asmbly w/handle - ?-STAINLESS ?/BLACK HANDLE	51958			
	DOOR-Glass Insert - Sm BLACK	51881	51881		
	DOOR-Glass Insert - Lg BLACK			51882	51882
	DOOR-Glass Insert - Sm WHITE	51883	51883		
	DOOR-Glass Insert - Lg WHITE			51884	51884
	DOOR-Panel - Sm BLACK new solid door style no frame	51581	51581+		
	DOOR-Panel - Lg BLACK new solid door style no frame			51583	51583+
	DOOR-Panel - Sm WHITE new solid door style no frame	51582	51582+		
	DOOR-Panel - Lg WHITE new solid door style no frame			51584	51584+
	DOOR-Panel - Sm STAINLESS new solid door style no frame	51578			
33	Oven Door Handle - BLACK	51124	51124	51124	51124
33	Oven Door Handle - WHITE	51126		51126	

+ New door panel replaces old panel plus frame.

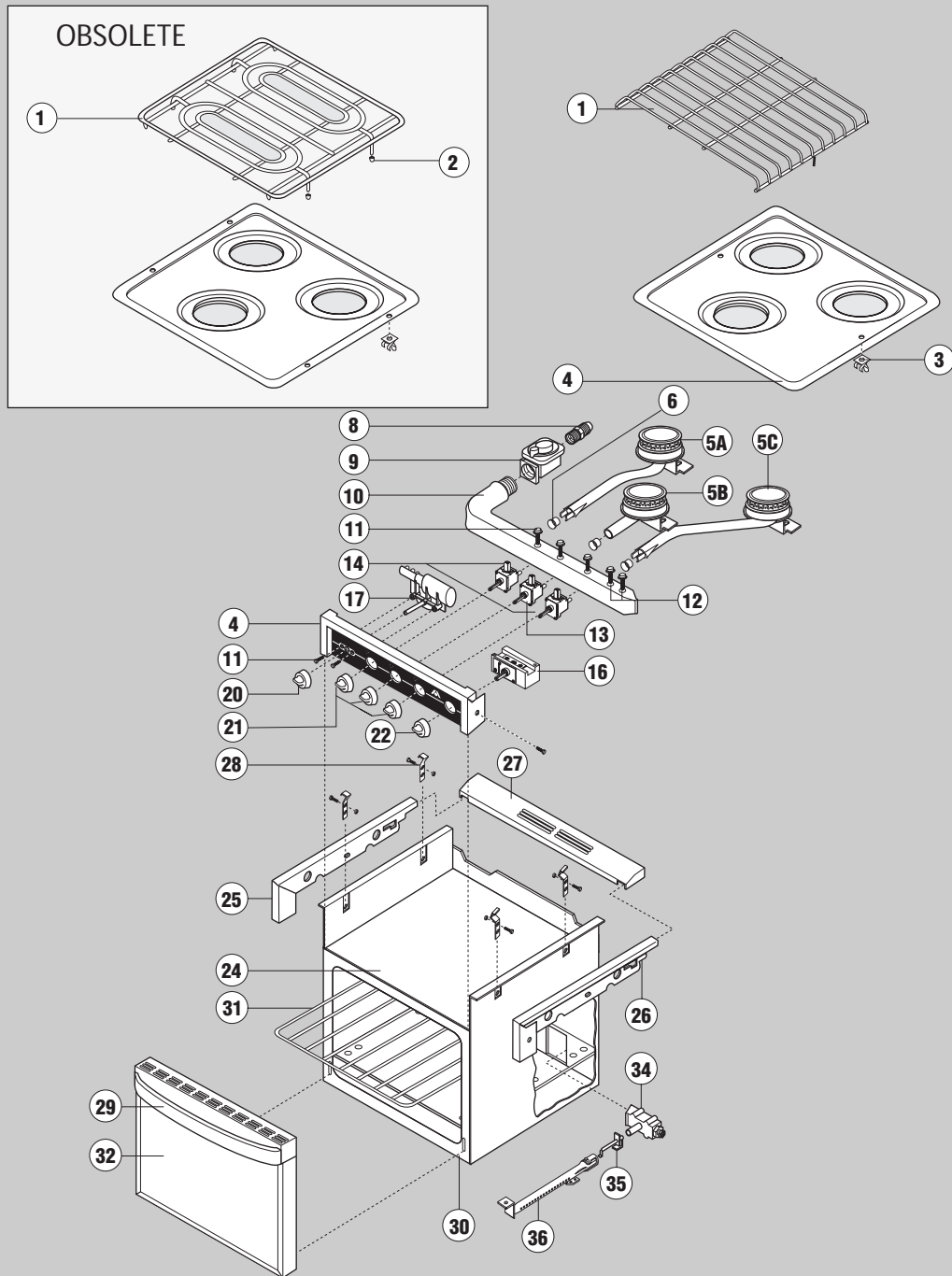




# WEDGEWOOD (RW / CW) MODEL 30 & 31

## Range & Slide-In Parts Identification

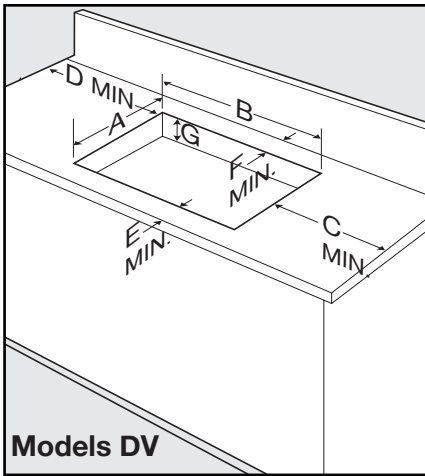
Match Light & Piezo



## WEDGEWOOD -Oven & Slide-In Cooktop Parts Identification

	WEDGEWOOD - DESCRIPTION	RW-1731	RW-1730	RW-2131	RW-2130	CW-30
1	Grate (2 hole) - BLACK	56271	56271	56271	56271	56271
2	Grate Boot (4) ❖	53008	53008	53008	53008	53008
3	Grate Clip (2) ❖	56150	56150	56150	56150	56150
4	Range Top (2 hole) - WHITE	53584	53584	53584	53584	53584
	Range Top (2 hole) - BLACK	53583	53583	53583	53583	53583
	Range Top (2 hole) - ALMOND OBS - USE BLACK OR WHITE					
5-A	Burner, Piezo - left rear OBS	56066	56066	56066	56066	56066
5-A	Burner, Matchlit - left rear OBS ⌘	56069	56069	56069	56069	56069
5-B	Burner, Piezo - center front OBS ⌘	56068	56068	56068	56068	56068
5-B	Burner, Matchlit - center front OBS ⌘	56071	56071	56071	56071	56071
5-C	Burner, Piezo - right rear OBS	56067	56067	56067	56067	56067
5-C	Burner, Matchlit - right rear OBS ⌘	56070	56070	56070	56070	56070
6	Bushing - Burner (3) ❖	53011	53011	53011	53011	53011
8	Brass Fitting	52294	52294	52294	52294	52294
9	Pressure Regulator	51062	51062	51062	51062	51062
10	3-Burner Manifold	56160	56160	56160	56160	56072
11	Bolt Valve (3) ❖	56088	56088	56088	56088	56088
12	Bolt - Oven Thermostat (2) ❖	56125	56125	56125	56125	
13	Valve, Burner-Mini 9000 BTU (1) ❖	53201	53201	53201	53201	53201
14	Valve, Burner-Mini 6500 BTU (2) ❖	53200	53200	53200	53200	53200
16	Thermostat, oven control	56116	56116	56116	56116	
17	Piezo Igniter	56096	56096	56096	56096	56096
20	KNOB - Piezo -BLACK	51344	51344	51344	51344	51344
21	KNOB - Burner - BLACK (3) ❖	56148	56148	56148	56148	56148
22	KNOB - Oven Thermostat - BLACK	53097	53097	53097	53097	
24	Burner Box OBS	51684	51684	51685	51684	51684
??	Manifold Cover OBS	53110	53110	53110	53110	53110
	LABEL - without Piezo OBS ⌘	56101	56101	56101	56101	56104
	LABEL - with Piezo OBS ⌘	56103	56103	56103	56103	56102
25	TRIM - Left hand - BLACK OBS ⌘	53133	53133	53133	53133	53133
26	TRIM - Right hand - BLACK OBS ⌘	53134	53134	53134	53134	53134
27	TRIM - Vent - BLACK OBS	53525	53525	53525	53525	53525
28	Top Retaining Clip (4) ❖	51410	51410	51410	51410	51410
29	Oven Door Handle - BLACK	51124	51124	51124	51124	
30	Oven Can	51969	51902 OBS	51970	51901 OBS	
31	Oven rack	51069	51069	51069	51069	
32	DOOR assembly includes handle - BLACK steel	51977	51873 OBS	51983	51871 OBS	
	DOOR assembly includes handle - WHITE steel	51978	51850 OBS	51984	51850 OBS	
	DOOR assembly includes handle - ALMOND steel OBS	51979	51894	51985	51893	
	DOOR assembly includes handle - WHITE glass			51987		
	DOOR assembly includes handle - BLACK glass	51980	51872	51986	51870 OBS	
	DOOR -Glass Insert - Sm BLACK	51881	51881			
	DOOR -Glass Insert - Lg BLACK			51882	51882	
	DOOR -Glass Insert - Sm WHITE	51883	51883			
	DOOR -Glass Insert - Lg WHITE			51884	51884	
	DOOR -Panel - Sm BLACK NLA USE 51581	51885	51885			
	DOOR -Panel - Lg BLACK NLA USE 51583			51886	51886	
	DOOR -Panel - Sm WHITE NLA USE 51582	51887	51887			
	DOOR -Panel - Lg WHITE NLA USE 51584			51888	51888	
34	Safety Valve	56120	56120	56120	56120	
35	Pilot Assembly	56121	56121	56121	56121	
36	Burner, oven	56123	56123	56123	56123	
37	TRIM - Oven Can	51975		51976		
N/S	Enamel Door Liner	51989	51808 OBS	51990	51807 OBS	
N/S	Wiring Lead - Piezo	56097	56097	56097	56097	56097
N/S	KIT - Door Seal	51061	51060	51061	51061	
N/S	KIT - Gas Tube Kit (no fittings available)	51067	51067	51068	51068	
N/S	Towel Bar					53205

N/S Not shown in illustration    OBS - Obsolete    ❖ Order quantity needed    ⌘ While supplies last

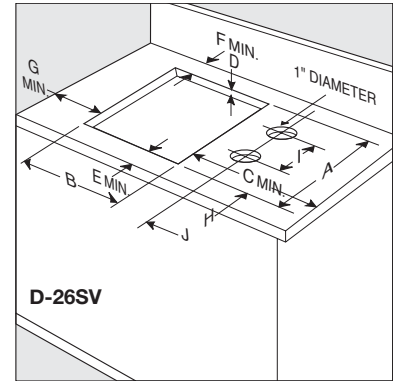
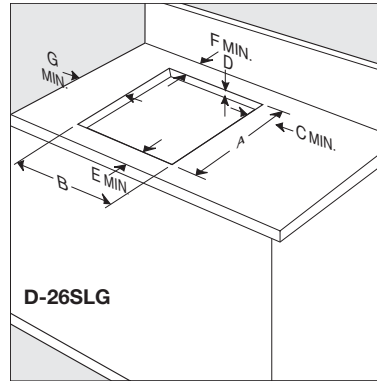
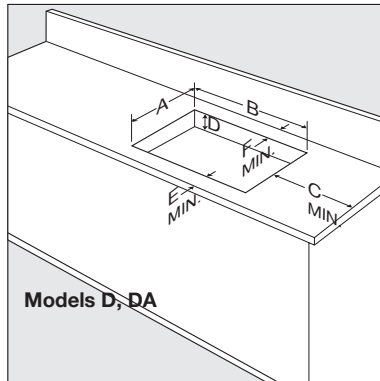


### CABINET & COUNTER CUT OUT CHART

CUT OUT DIMENSIONS in inches	A	B	C	D	E
<b>DV Models - 2 Burners</b>	11-1/2	16-1/4	3-3/8 ♦	2-5/8 ♦	1-1/2 ♦
<b>DV Models - 3 Burners</b>	15	19	2 ♦	3-1/16 ♦	3 ♦
	<b>F</b>	<b>G</b>			
<b>DV Models - 2 Burners</b>	3-3/4 ♦	2-13/16 ▶			
<b>DV Models - 3 Burners</b>	4-1/2 ♦	2-13/16 ▶			

♦Minimum dimension ▶ Overall depth of drop-in

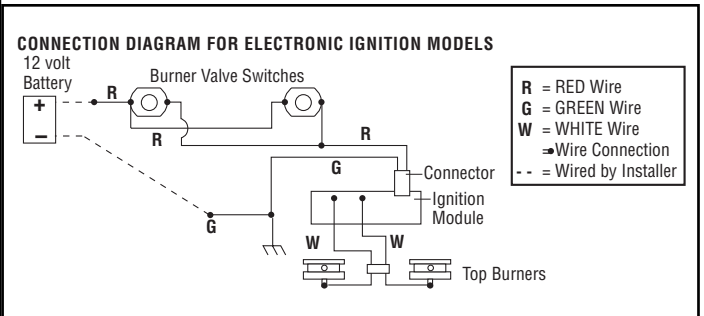
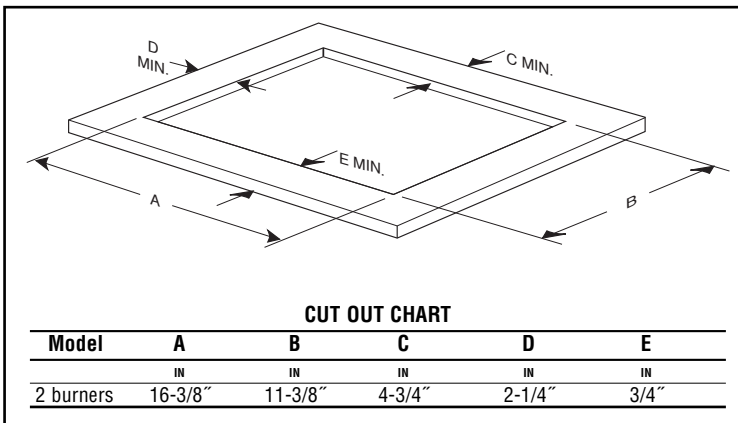
### CABINET & COUNTER CUT OUT CHART



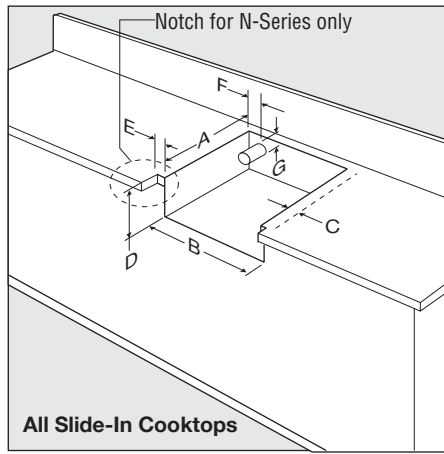
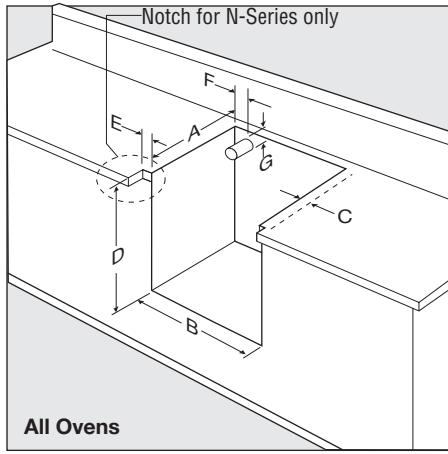
CUT OUT DIMENSIONS	A	B	C	D	E	F	G	H	I	J
<b>D, DA Models - 2 Burners</b>	11-5/8"	16-3/8"	2-1/4" ♦	3-1/8" ▶	3/4" ♦	4-3/4" ♦				
<b>D, DA Models - 3 Burners</b>	16-1/16"	19-3/16"	2-1/2" ♦	3-1/8" ▶	2-3/8" ♦	4" ♦				
<b>D-26SLG</b>	19"	14-1/8"	5/8" ♦	4-1/2" ▶	3/4" ♦	2-3/4" ♦	3"			
<b>D-26SV</b>	11-5/8"	16-3/8"	4-3/8" ♦	3-1/8" ▶	1" ♦	1-1/8" ♦	4-1/4"	3-1/4"	4-3/4"	2-1/4"

♦Minimum dimension ▶ Overall depth of cooktop

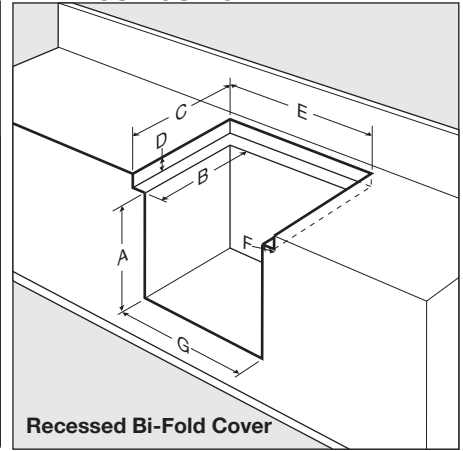
### 2- Burner LP Gas High Pressure Stove



### CABINET & COUNTER CUT OUT CHART



### RECESSED BI-FOLD COVER CUT OUT CHART



#### CABINET & COUNTER CUT OUT CHART - TABLEAU DE DECOUPE DES ELEMENTS ET DU COMPTOIR

CUT OUT DIMENSIONS DIMENSIONS DE LA DECOUPE	A	B	(RV/CV)	(RA/CA)	D	E	F	G
<b>17" RV &amp; RA Ranges</b> Série RV et RA 17"	17.75"	20.25"	1.13"†	2.13"†	16"	0"	1.75"	1.5"
	451MM	514MM	29MM†	54MM†	406MM	0MM	45MM	38MM
<b>21" RV &amp; RA Ranges</b> Série RV et RA 21"	17.75"	20.25"	1.13"†	2.13"†	20"	0"	1.75"	1.5"
	451MM	514MM	29MM†	54MM†	508MM	0MM	45MM	38MM
<b>Slide-In CV &amp; CA</b> Série CV et CA à encastrement	17.75"*	20.25"	1.13"†	2.13"†	3"	0"	1.75"	1.5"
	451MM	514MM	29MM†	54MM†	76MM	0MM	45MM	38MM
<b>17" RV &amp; RA-N Series</b> Série RV 43cm RV et RA-N	17.75"	20.25"	1.13"†	2.13"†	16"	7/16"	1.75"	1.5"
	451MM	514MM	29MM†	54MM†	406MM	11MM	45MM	38MM
<b>21" RV &amp; RA-N Series</b> Série RV 53cm RV et RA-N	17.75"	20.25"	1.13"†	2.13"†	20"	7/16"	1.75"	1.5"
	451MM	514MM	29MM†	54MM†	508MM	11MM	45MM	38MM
<b>Slide-In CV &amp; CA-N Series</b> Série CV à encastrement CV et CA-N	17.75"	20.25"	1.13"†	2.13"†	3"	7/16"	1.75"	1.5"
	451MM	514MM	29MM†	54MM†	76MM	11MM	45MM	38MM

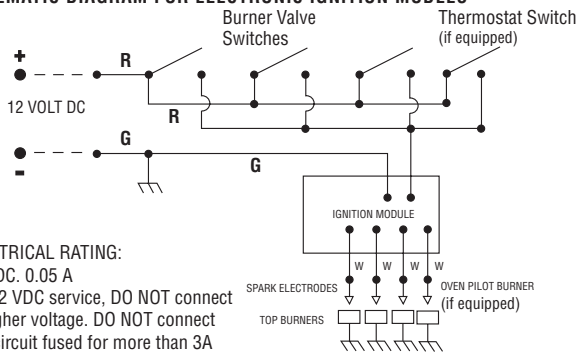
† Minimum clearance to combustible materials. (typical two (2) sides and back)  
 \* The overall unit depth for CA models with Electronic Ignition is 18-1/4" from cabinet face to back wall of cutout below counter.  
 † Éloignement minimum des matériaux combustibles. (Typiquement sur les deux côtés et à l'arrière)  
 \* La profondeur totale des modèles CA à allumage électronique est de (464 mm). Ces dimensions sont celle de la découpe entre la façade de l'élément de cuisine et la paroi arrière du comptoir.

NOTE: Maximum countertop overhang = 3/4" NOTE: rebord maximum du comptoir = 19 mm

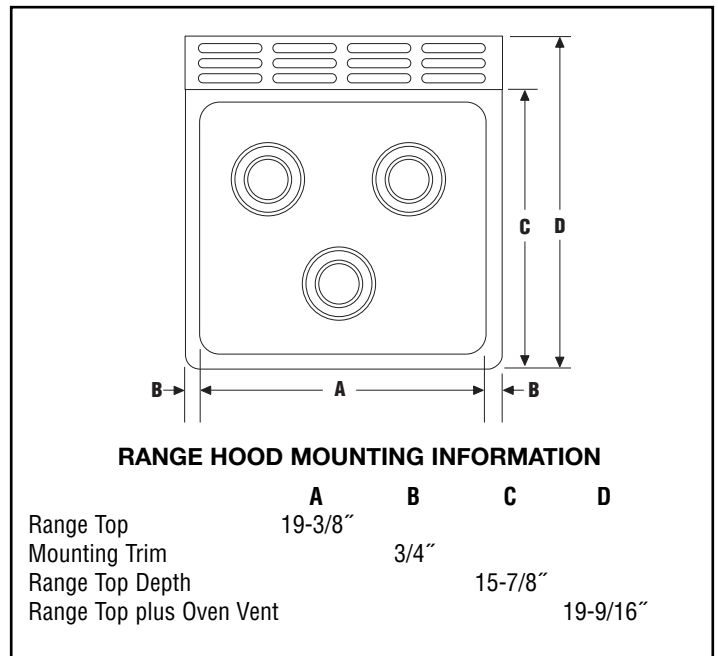
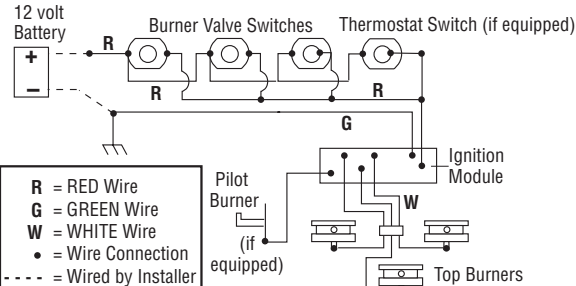
#### RECESSED BI-FOLD COVER - COUVERCLE PLIANT EN DEUX PARTIES ENCASTRÉ

LAMINATE MATERIAL MATÉRIAU STRATIFIÉ	MPD PART #	RV & RA OVEN			CV & CA SLIDE-IN	CUT OUT DIMENSIONS - DIMENSIONS DE LA DECOUPE					
		17"	21"			A	B	C	D	E	F
1/4" 6 mm	56397	16.0"	20.0"	3.0"	17.75"	20.0"	2.31"	24.5"	2.13"	20.25"	
		406 mm	508 mm	76 mm	451 mm	508 mm	59 mm	622 mm	54 mm	514 mm	
1/32" .8 mm	56391	16.0"	20.0"	3.0"	17.75"	20.0"	1.84"	24.5"	2.13"	20.25"	
		406 mm	508 mm	76 mm	451 mm	508 mm	47 mm	622 mm	54 mm	514 mm	

#### SCHEMATIC DIAGRAM FOR ELECTRONIC IGNITION MODELS



#### CONNECTION DIAGRAM FOR ELECTRONIC IGNITION MODELS





**A Division of Dura Automotive Systems**

1120 North Main Street • Elkhart, IN 46514

PHONE: 574•264•2131 FAX: 574•262•2550

INTERNET: <http://www.atwoodmobile.com>

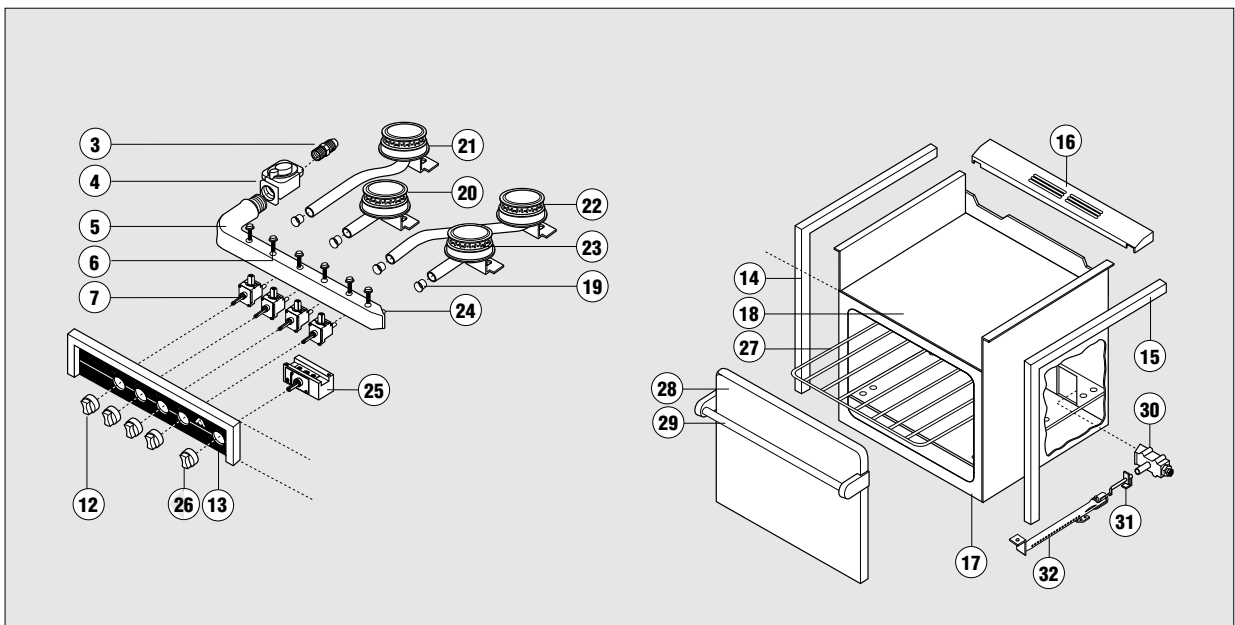
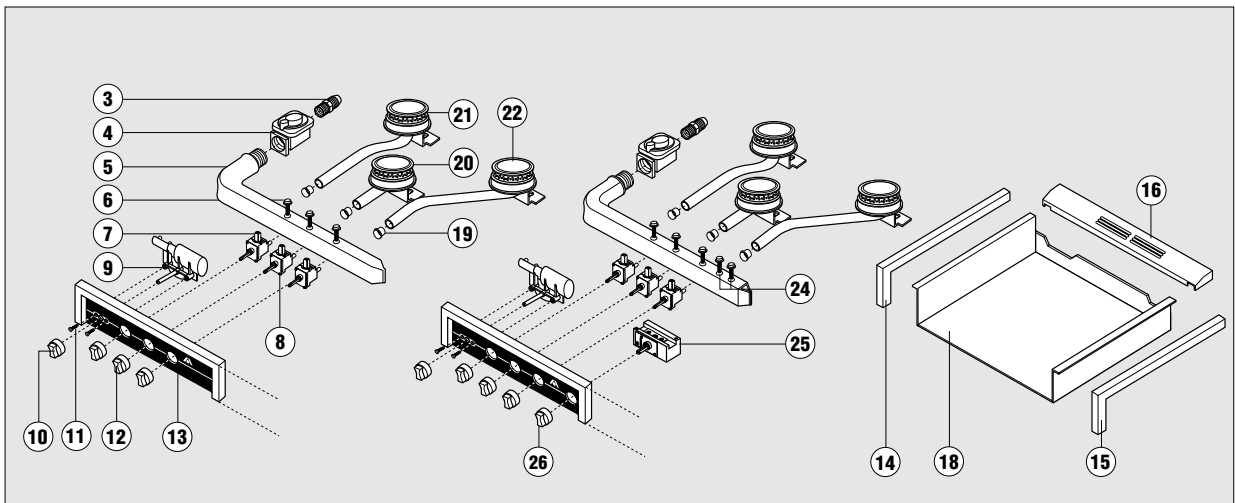
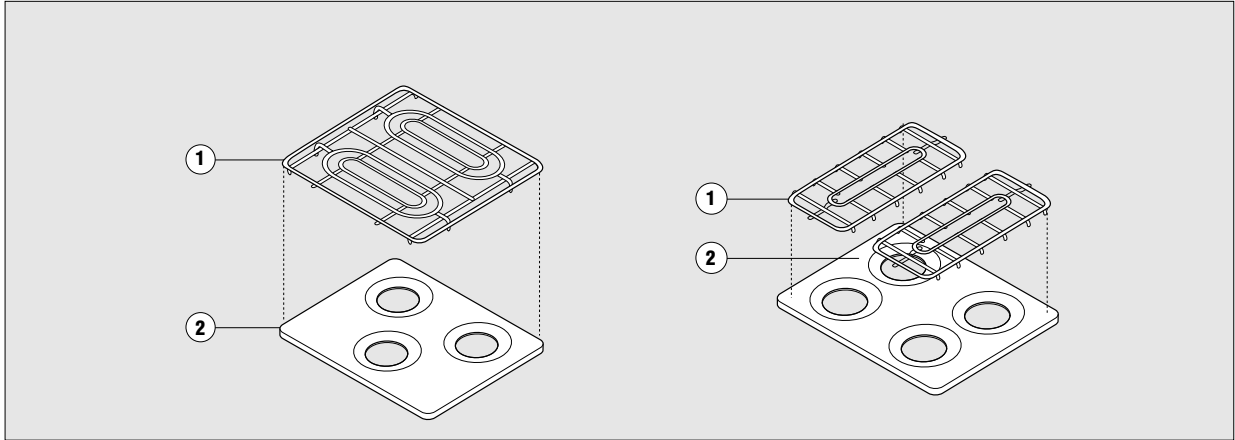
**C-37, C-38**

**R-1737, R-1738, R-1746**

**R-2137, R-2138, R-2146**

**PART REFERENCE**

Effective: 10/1/96



# WEDGEWOOD - Oven & Slide-In Cooktop Part Reference

ITEM	C-37	C-38	R-1737	R-1738	R-1746	R-2137	R-2138	R-2146	DESCRIPTION
1	56271	56271	56271		53007 (2)		56271	53007 (2)	Grate (1-piece)
2	53582	53582	53582	53582		53582	53582		*Range, Top (2 hole) ALMOND
2	53583	53583	53583	53583			53583		*Range, Top (2 hole) BLACK
2	53584	53584	53584	53584	53584	53584	53584		*Range, Top (2 hole) WHITE
3	52294	52294	52294	52294	52294	52294	52294	52294	Fitting, Brass
4	51062	51062	51062	51062	51062	51062	51062	51062	Pressure Regulator
5	56072	56072	56160	56160		56160			3-Burner Manifold
6	56088	56088	56088	56088	56091	56088	56088	56091	Valve thru Bolt
	53200	53200	53200	53200		53200	53200		Valve, Burner-MINI 6500 BTU (2)
8	53201	53201	53201	53201		53201	53201		Valve, Burner-MINI 9000 BTU (1)
9	56096	56096	56096	56096		56096	56096		Piezo Igniter
10	51344	51344	51344	51344		51344	51344		Piezo Knob
11	51337	51337	51337	51337		51337	51337		#10 x 3/8" Screw (2)
12	56148	56148	56148	56148	51056 (2)	56148	56148	51056 (2)	Knob, burner
N/S	56097	56097	56097	56097		56097	56097		Wire Assembly (3)
13	56106	56106	56108	56108	56115	56108	56108	56115	Control Panel Assembly Matchlit
	56105	56105	56107	56107	56115	56107	56107	56115	Control Panel Assy w/ piezo
14	53019	53019	53021	53021	53021	53023	53023	53023	Trim, left hand top & side (blk)
15	53020	53020	53022	53022	53022	53024	53024	53024	Trim, right hand top & side (blk)
16	53525	53525	53525	53525	53525	53525	53525	53525	Trim, vent (black)
17			53526	53526	53526	53526	53526	53526	Trim, bottom (black)
18	51685	51685	51684	51684	51684	51684	51684	51684	Burner Box
19	53011	53011	53011	53011	53011	53011	53011	53011	Burner Bushing
20	56071	56071	56071	56071		56071	56071		Burner, ctr (hi output) Matchlit
	56068	56068	56068	56068		56068	56068		Burner, ctr (hi output) w/Electrode
					56257			56257	Burner, left front
21	56069	56069	56069	56069	56259	56069	56069	56259	Burner, left rear Matchlit
	56066	56066	56066	56066		56066	56066		Burner, left rear w/ electrode
22	56070	56070	56070	56070	56260	56070	56070	56260	Burner, right rear Matchlit
	56067	56067	56067	56067		56067	56067		Burner, right rear w/ electrode
23					56258			56258	Burner, right front
24			52120	56125	56125	52120	56125	56125	Screw, Thermostat (2)
25			NA	56116		NA	56116		Thermostat, oven control
26			53001	56171		53001	56171		Knob, oven thermostat
27			51069	51069	51069	51069	51069	51069	Oven rack
						NO LONGER AVAILABLE			Door assembly
						NO LONGER AVAILABLE			Enamel door liner w/window
						NO LONGER AVAILABLE			Enamel door liner
						NO LONGER AVAILABLE			Solid door panel
N/S						NO LONGER AVAILABLE			Insert, black glass
						NO LONGER AVAILABLE			Insert, black glass w/window
N/S			51421	51421	51421	51421	51421	51421	Window, inner assembly
29			51112	51112	51112	51112	51112	51112	Oven Door Handle
30				56120	56120		56120	56120	Safety Valve
31			51065	56121	56121	51065	56121	56121	Pilot Assembly
			51063			51063			Pilot Assembly-MSV valve
32			52018	56123	56123	52018	56123	56123	Burner, oven
N/S			51060	51060	51060	51061	51061	51061	KIT - Door Seal
N/S		51071	51071	51071	51071	51071	51071	51071	KIT-Designer Acc.
N/S			51067	51068	51067	51068	51068	51068	KIT - Gas Tube Kit
N/S	56150	56150	56150	56150	50005	56150	56150	50005	Grate Clip (2)
N/S	53008	53008	53008	53008	53008	53008	53008	53008	Grate Boots
N/S	51129		51128	51127		51128	51127		◆Knob Kits

\*When replacing top you MUST replace grate

◆When replacing Burner Knobs use Knob Kit

**Wedgewood - Range & Cooktops**  
**PART REFERENCE**  
**JANUARY 2007**

	R-1730	R-1735	R-1736	R-2136	R-2140	R-2145	C-30	C-35	C-36	C-40	C-45
<b>AAGrates</b>											
51007 Tension	X				X		X			X	
53006 Top, single		X						X			
53007 Designer, Dual ⌘		⌘			⌘	⌘		⌘		⌘	⌘
53050 Top (2)	No longer available (use 56271)										
56271 Hi BTU one piece (1) 2 hole			X	X					X		
<b>Flash Tubes</b>											
51089 Top Lighter Kit	No longer available										
51216 Flash Tube (long) Piezo ❖	❖	❖			❖	❖	❖	❖		❖	❖
51245 Flash Tube ❖			❖	❖					❖		
51088 Top Lighter Kit	No longer available										
51089 Top Lighter Kit	No longer available										
<b>Burner</b>											
51235 Burner, RIGHT REAR	No longer available										
51243 Burner, RIGHT REAR	No longer available										
53070 Burner, RIGHT REAR	No longer available										
51233 Burner, RIGHT FRONT	No longer available										
51241 Burner, RIGHT FRONT	No longer available										
51233 Burner, CENTER FRONT	No longer available										
51234 Burner, LEFT REAR	No longer available										
51242 Burner, LEFT REAR	No longer available										
53068 Burner, LEFT REAR	No longer available										
51232 Burner, LEFT FRONT	No longer available A										
51240 Burner, LEFT FRONT	No longer available										
51244 Burner, CENTER FRONT	No longer available										
53069 Burner, CENTER (high output)			X	X							
52018 Burner, OVEN ⌘	⌘	⌘	⌘	⌘	⌘	⌘					
<b>Air Shutter</b>											
51208 Air Shutter		X	X	X	X	X		X	X		X
51062 Pressure Regulator Kit	X										
<b>Manifold - Robertshaw</b>											
52125 3 burner manifold	No longer available										
52126 3 burner manifold, silver square R.S.	No longer available										
53049 3 burner manifold, silver square R.S.	No longer available										
52284 4 burner manifold, black square R.S.	No longer available										
<b>Burner Valves</b>											
51096 valve	No longer available										
52123 valve	No longer available										
<b>Supply Valves</b>											
51066 Top Pilot Valve Kit ❖		❖				❖		❖		❖	❖
52282 Top Lighter ❖											
53014 Rear Valve			X	X			X				
53047 High Output Valve ❖			❖	❖			❖				

❖ NLA - No longer available      ⌘ While supplies last



**Wedgewood - Range & Cooktops**  
**PART REFERENCE**  
**JANUARY 2007**

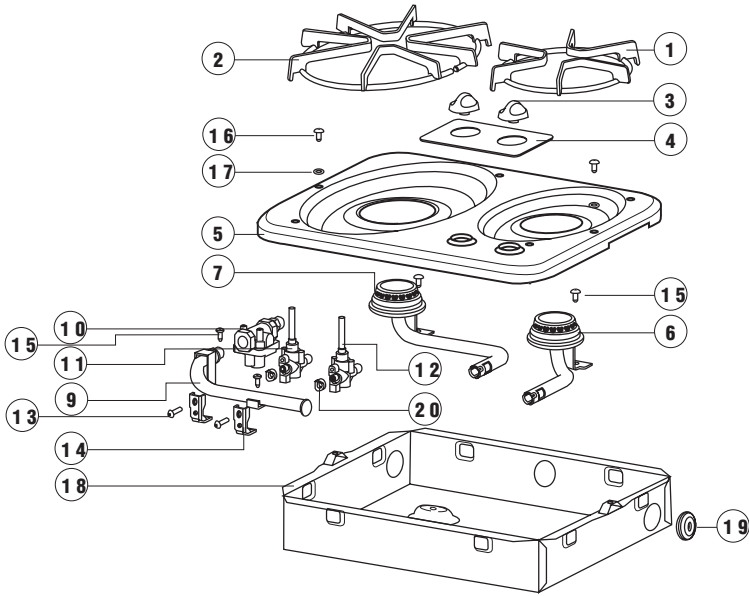
	R-1730	R-1735	R-1736	R-2136	R-2140	R-2145	C-30	C-35	C-36	C-40	C-45
<b>Safety Valve</b>											
51063 Safety Valve Kit	No longer available										
51177 Safety Valve	No longer available										
<b>High Output Spark Igniter Assembly</b>											
53078 High Output Spark Igniter Assembly	No longer available										
<b>Piezo</b>											
52279 Piezo Push Button ❖		❖	❖	❖		❖	❖	❖		❖	❖
<b>Thermostat</b>											
51095 Oven control (fits black square manifold)	No longer available										
52122 Oven control (fits grey manifold)	No longer available										
<b>Trim</b>											
53021 Left Hand, top & side - black	No longer available										
53023 Left Hand, top & side - black	No longer available										
53523 Left Hand, top & side - black	No longer available										
53022 Right Hand, top & side - black	No longer available										
53024 Right Hand, top & side - black	No longer available										
53524 Right Hand, top & side	No longer available										
53025 Vent, black ❖	❖	❖		❖	❖	❖					
53525 Vent, black ❖			❖								
53526 Bottom, black - ⌘	⌘	⌘	⌘	⌘	⌘	⌘					
53668 Bottom	No longer available										
<b>Manifold Cover</b>											
53072 Manifold Cover, black	No longer available										
53553 Manifold Cover, black	No longer available										
53556 Manifold Cover, black	No longer available										
<b>Burner Box</b>											
51684 Burner Box ❖	❖	❖	❖	❖	❖	❖					
51685 Burner Box ❖									❖	❖	❖
<b>Oven Rack</b>											
51069 Oven Rack	X	X	X	X	X	X					
<b>Shelf</b>											
51657 Oven Bottom	No longer available										
<b>Pilot Assembly</b>											
51065 Oven ❖	❖	❖	❖	❖	❖	❖					
52242 Oven	No longer available										
<b>Knobs</b>											
51056 Burner - package of 2	X	X	X	X	X	X		X	X	X	X
51057 Thermostat Knob ❖	❖	❖	❖	❖	❖	❖					
<b>Kits</b>											
51076 3-Burner Igniter Kit	No longer available										
51077 4-Burner Igniter Kit	No longer available										
51067 Gas Tube Kit - 17"	X	X									
51068 Gas Tube Kit - 21"					X	X					
<b>Grate Boots &amp; Clips</b>											
53160 Grate Boots & Clips ❖			❖	❖					❖		

❖ NLA - No longer available      ⌘ While supplies last

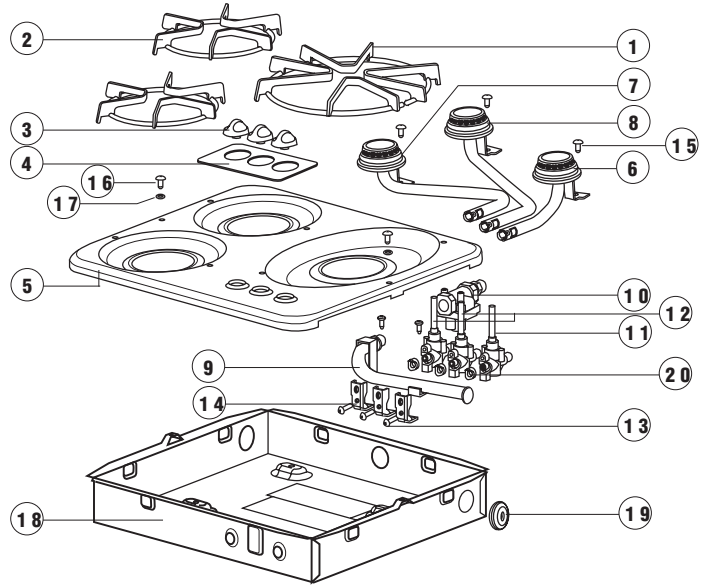




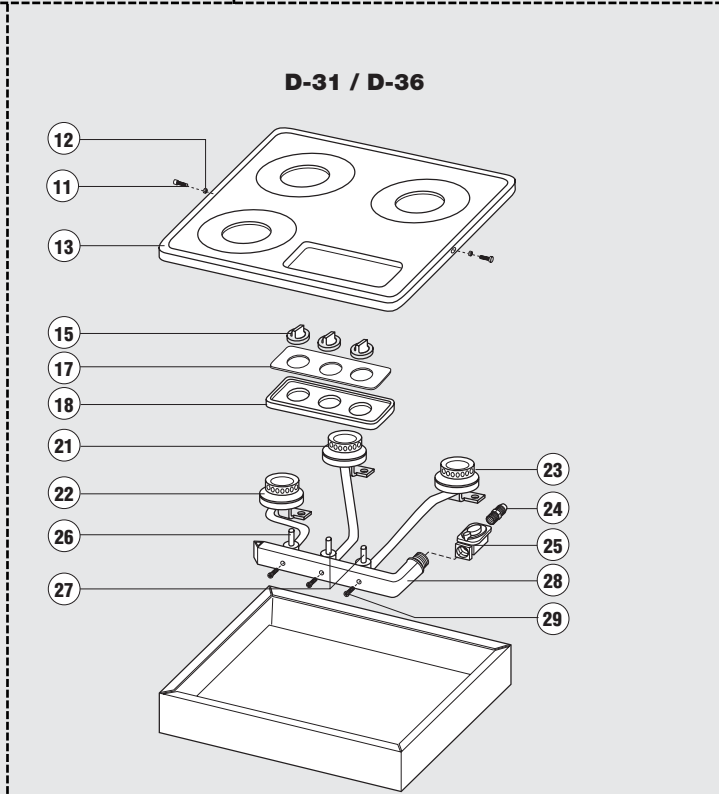
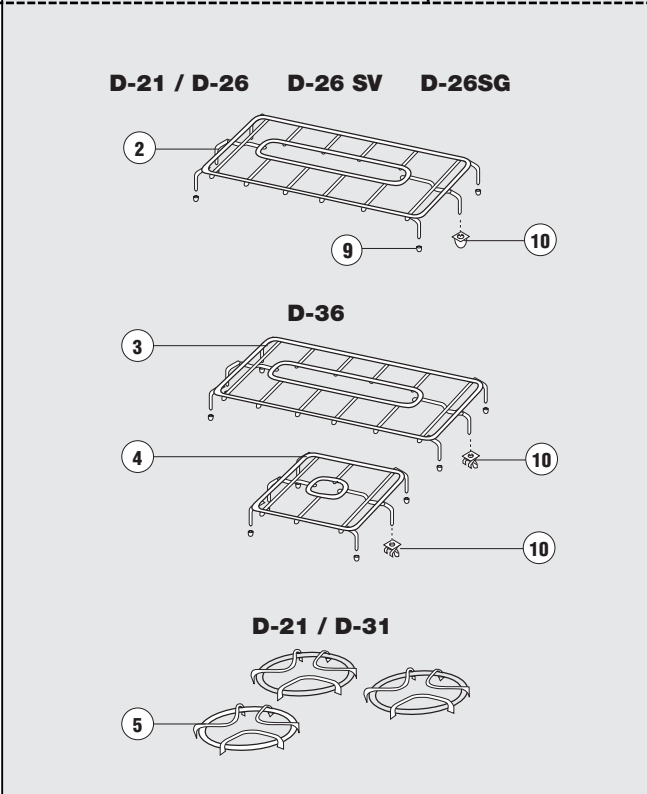
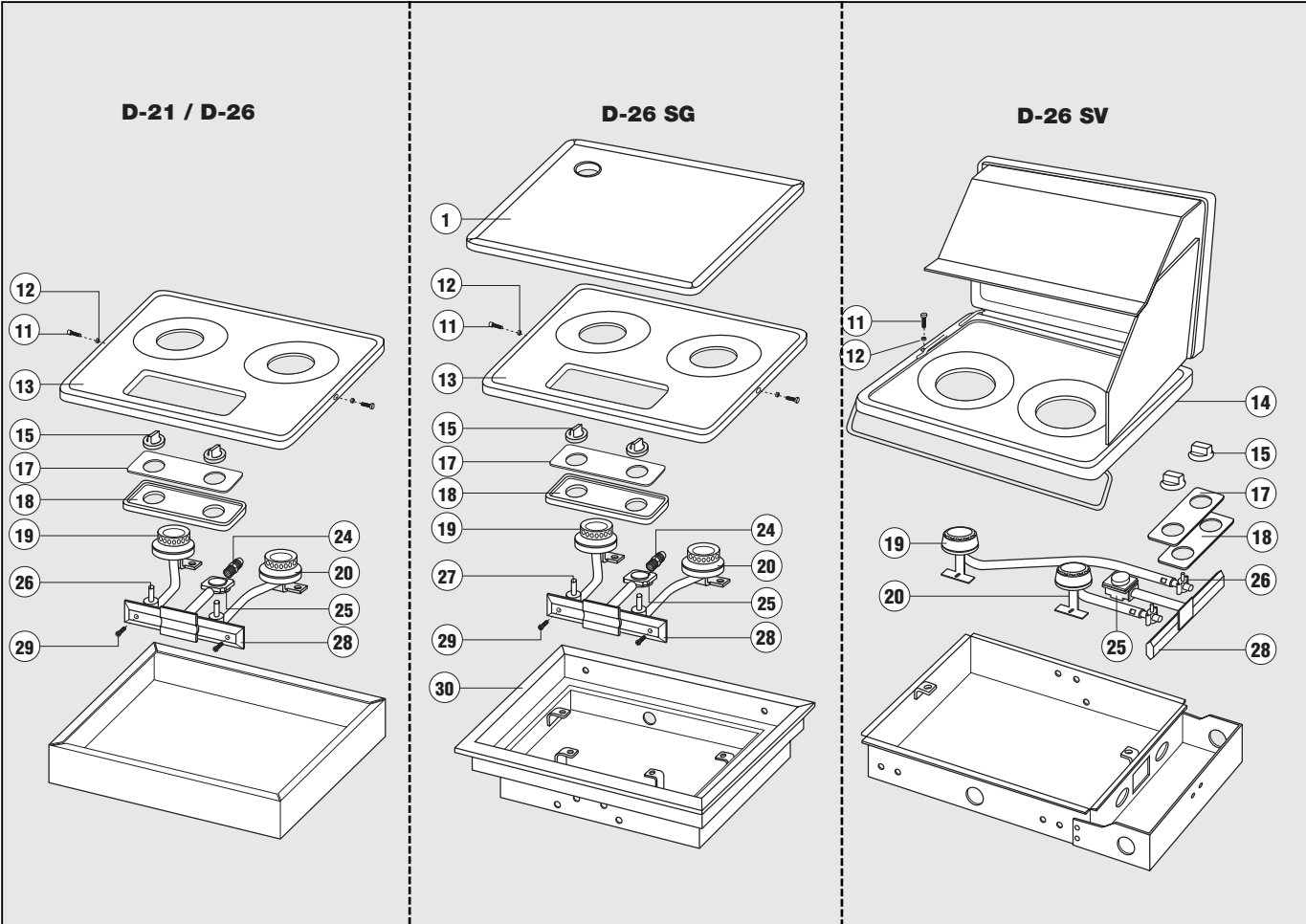
## DV 20

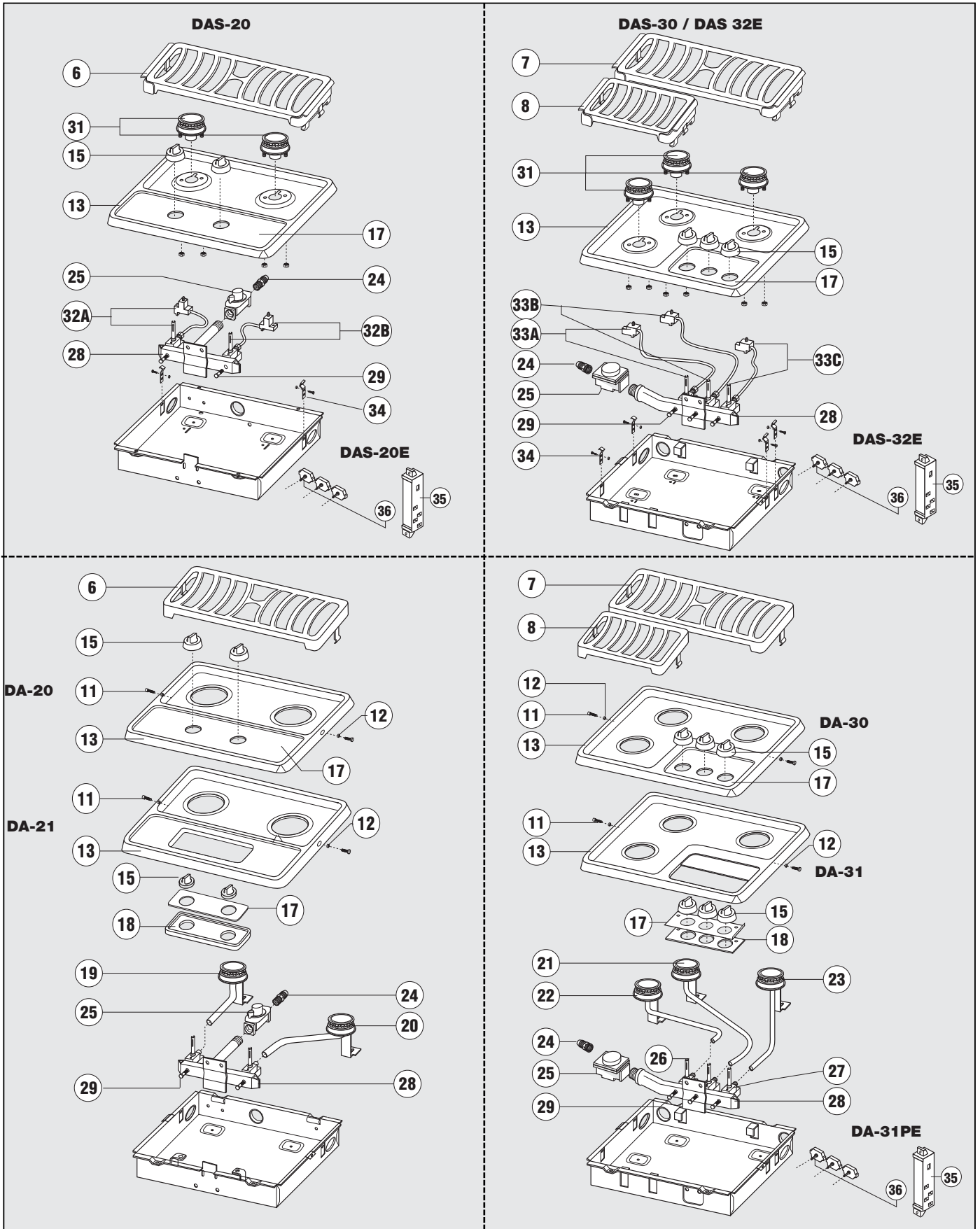


## DV 30



ITEM	DESCRIPTION	DV20	DV30
1	Round Grate	56378	56378 (2)
2	Oval Grate	56379	56379
3	Burner Knob	56380 (2)	56380 (3)
4	Label	56388	56491
5	Top - WHITE	57118	57115
	Top - BLACK	57119	57116
	Top - STAINLESS STEEL	57099	57102
6	Right Burner	56385	56483
7	Left Front Burner	56384	56482
8	Left Rear Burner	NA	56481
9	Manifold Pipe	56383	56478
10	Regulator	51062	51062
11	Valve 7200 Btu/h	56468	56468
12	Valve 5200 Btu/h	56469	56469 (2)
13	Screw-Valve	56480 (2)	56480 (3)
14	Valve Bracket	56479 (2)	56479 (3)
15	Screw-Burner	51325 (4)	51325 (5)
16	Screw-Top	56377 (2)	56377 (2)
17	Nylon Washer	52434 (2)	52434 (2)
18	Burner Box	56498	56476
19	Inlet Pipe Grommet	92610	92610
20	Gasket, Valve	56366 (2)	56366 (3)





<b>Drop-in Cooktops PART REFERENCE JANUARY 2007</b>		<b>D-21 / D-26</b>	<b>D-26SV</b>	<b>D-26SG</b>	<b>D-31 / D-36</b>	<b>DA-20</b>	<b>DA-21</b>	<b>DA-30</b>	<b>DA-31</b>	<b>DA-31PE</b>	<b>DAS-20 / DAS-20E</b>	<b>DAS-30</b>	<b>DAS-32E</b>
<b>Item</b>	<b>Burner</b>												
19	<b>56073</b> Burner, LEFT	X		X									
19	<b>56075</b> Burner, LEFT		X										
19	<b>56212</b> Burner, LEFT					X	X						
32A	<b>56302</b> Burner, LEFT (VALVE/TUBE ASSEMBLY) OBS <sup>⌘</sup>										X		
20	<b>56074</b> Burner, RIGHT	X		X									
20	<b>56076</b> Burner, RIGHT		X										
20	<b>56213</b> Burner, RIGHT					X	X						
32B	<b>56303</b> Burner, RIGHT (VALVE/TUBE ASSEMBLY) OBS <sup>⌘</sup>										X		
21	<b>56083</b> Burner, LEFT REAR				X								
21	<b>56215</b> Burner, LEFT REAR							X	X				
21	<b>56234</b> Burner, LEFT REAR									X			
32A	<b>56304</b> Burner, LEFT (VALVE/TUBE ASSEMBLY) OBS <sup>⌘</sup>										X		
22	<b>56214</b> Burner, LEFT FRONT							X	X				
22	<b>56082</b> Burner, LEFT FRONT				X								
22	<b>56235</b> Burner, LEFT FRONT									X			
31	<b>56305</b> Burner, LEFT OBS <sup>⌘</sup>										X		
23	<b>56084</b> Burner, RIGHT REAR				X								
23	<b>56216</b> Burner, RIGHT REAR							X	X				
23	<b>56233</b> Burner, RIGHT REAR									X			
31	<b>56306</b> Burner, RIGHT REAR (VALVE/TUBE ASSEMBLY)										X		
31	<b>56307</b> Burner, SEALED (PLAIN)										X	X	X
31	<b>56208</b> Burner, SEALED (BLACK)										X	X	X
31	<b>56207</b> Burner, ELECTRONIC IGNITION (PLAIN)										X	X	X
31	<b>56325</b> Burner, ELECTRONIC IGNITION (BLACK) OBS <sup>USE 56207</sup>										X	X	X
	<b>Control Panel Label</b>												
17	<b>52539</b> Black label	X											
17	<b>52437</b> Black label		X										
17	<b>51454</b> Black label			X									
17	<b>52540</b> Black label				X								
17	<b>56346</b> Black label					X							
17	<b>57700</b> Black label						X						
17	<b>56347</b> Black label							X					
17	<b>57051</b> Black label (Before S.N. B0220)								X				
17	<b>53126</b> Black label (After S.N. B0200)								X				
17	<b>57050</b> Black label (Before S.N. B0200)									X			
17	<b>53126</b> Black label (After S.N. B0200)									X			
17	<b>56350</b> Black label <b>56348</b> White label										X		
17	<b>56351</b> Black label <b>56349</b> White label											X	
17	<b>57052</b> Black label												X
	<b>Cover</b>												
	<b>56204</b> Cover OBS			X									
	<b>56205</b> Frame			X									
13	<b>51443</b> Cooktop & Cover Asbly OBS			X									
	<b>Electronic Ignition</b>												
35	<b>56162</b> 12V Ignition Module									X	X		X
36	<b>56184</b> Ground Lead									X	X		X
36	<b>56165</b> Electrode Lead									X	X		X
	<b>Fitting, Brass</b>												
24	<b>52294</b> Fitting, Brass	X	X	X	X	X	X	X	X	X	X	X	X
2,5	<b>51007</b> Medallion Grate	(2)			(3)								

<b>Drop-in Cooktops PART REFERENCE JANUARY 2007</b>		D-21 / D-26	D-26SV	D-26SG	D-31 / D-36	DA-20	DA-21	DA-30	DA-31	DA-31PE	DAS-20 / DAS-20E	DAS-30	DAS-32E
<b>Item</b>	<b>Grates</b>												
2	53304 Designer Grate	X	X	X									
3	53303 Designer Grate, Rear				X								
4	53302 Designer Grate, Front				X								
6	53436 Stamped Steel Grate					X	X						
7	53437 Stamped Steel Grate, Rear OPEN							X	X	X			
8	53438 Stamped Steel Grate, Front OPEN							X	X	X			
6	53439 Stamped Steel Grate OBS										X		
7	53441 Stamped Steel Grate, Rear SEALED OBS											X	X
8	53442 Stamped Steel Grate, Front SEALED OBS											X	X
	<b>Grate Boots &amp; Clips</b>												
10	53301 Grate Clips	(2)	(2)	(2)	(4)								
	51410 Grate Top Clip N/S									(4)	(2)	(4)	(4)
	53008 Grate Boot	(4)	(4)	(4)	(8)								
	<b>Knobs</b>												
15	53000 Burner Knob	(2)	(2)	(2)	(3)								
15	56129 Burner Knob					(2)	(2)	(3)	(3)	(3)	(2)	(3)	(3)
	<b>Manifold</b>												
18	52523 Manifold Cover	X		X					X	X			
18	52524 Manifold Cover OBS				X								
18	52516 Manifold Cover						X						
28	56079 Manifold Pipe OBS ⌘	X	X	X		X	X				X		
28	50160 Manifold Pipe OBS ⌘							X	X	X		X	X
	<b>Misc.</b>												
	52016 Thumb screw					X	X	X	X			X	
	52537 Thumb screw	X	X	X	X								
	52434 Nylon Washer (2)	X	X	X	X	X	X	X	X			X	
	<b>Pressure Regulator</b>												
25	51062 Pressure Regulator	X	X	X	X	X	X	X	X	X	X	X	X
	<b>Top, Cook</b>												
	Almond top ORDER BY COLOR NLA												
13	Black top ORDER BY COLOR												
13	White top ORDER BY COLOR												
	<b>Valve</b>												
	53124 6500 Linear Valve after SNA B020									(1)			
	53114 5200 Linear Valve after SN B020									(2)			
27	56090 Valve, Burner-6500 BTU	(2)	(2)		(1)		(2)		(1)	(1)			
27	56300 Valve, Burner-6500 BTU			(2)		(2)		(1)					
27	56089 Valve, Burner-5200 BTU			(2)	(2)				(2)	(2)			
27	56301 Valve, Burner-5200 BTU							(2)					
36	56145 Valve Ignition Switch									(3)	(2)		
36	57055 Valve Ignition Switch												(3)
	<b>Valve thru Bolt</b>												
29	56091 Valve thru Bolt	(2)	(2)	(2)	(3)	(2)	(2)	(3)	(3)	(3)	(2)	(3)	(3)
	<b>Wire Harness</b>												
	56164 Wire Harness									X	X		X
	<b>Valve Tube Assembly</b>												
32A	56302 Left OBS ⌘										X		
32B	56303 Right OBS ⌘										X		
33A	56305 Left front OBS ⌘											X	
33B	56304 Left rear OBS ⌘											X	
33C	56306 Right rear OBS ⌘											X	
33A	56309 Left front												X
33B	56308 Left rear												X
	OBS - Obsolete ⌘ While supplies last												