

MICROWAVE

Repair Parts List

MODEL NUMBER

AMV6167BDS

When requesting service or ordering parts, always provide the following information:

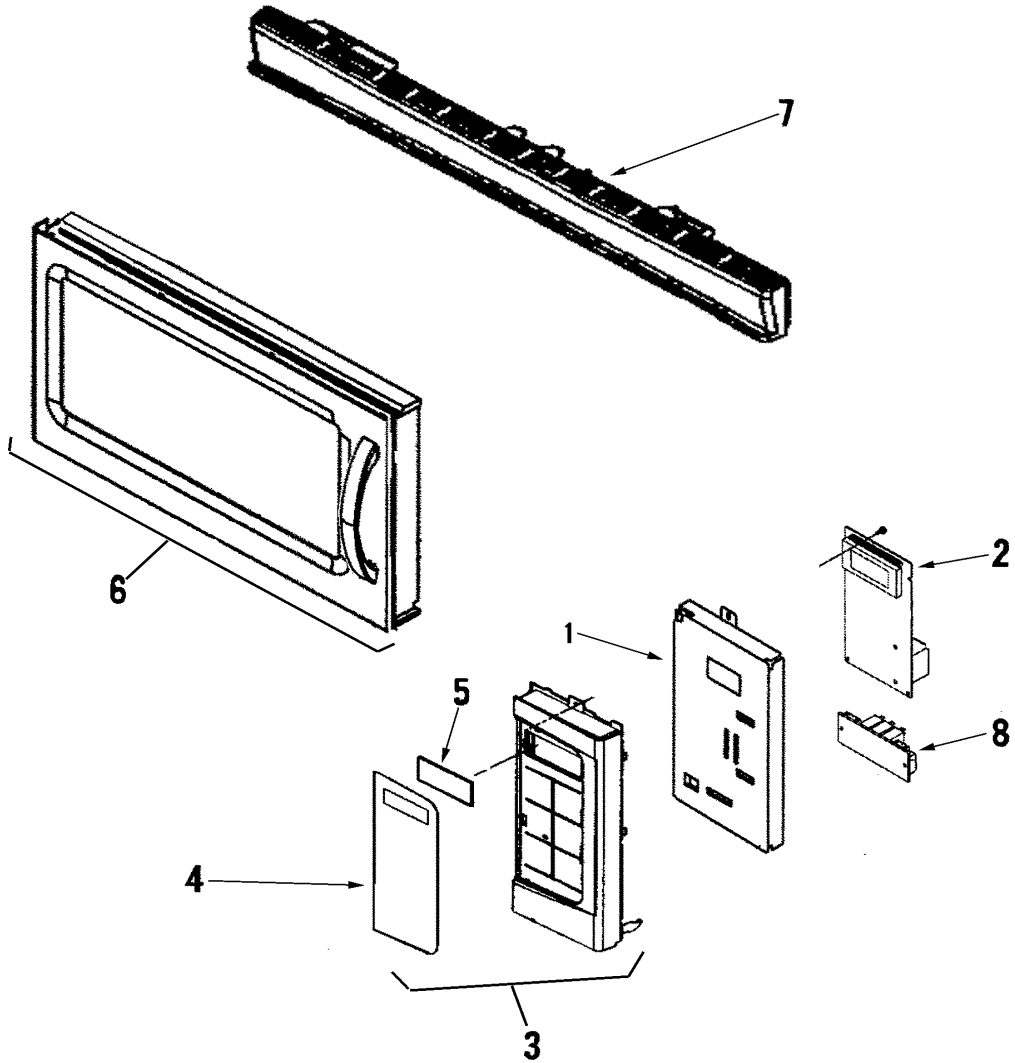
- Product Type
- Part Number
- Model Number
- Part Description

MAYTAG®

©2005 Maytag Services

Section: CONTROL PANEL/DOOR/VENT GRILLE

Model: AMV6167BDS



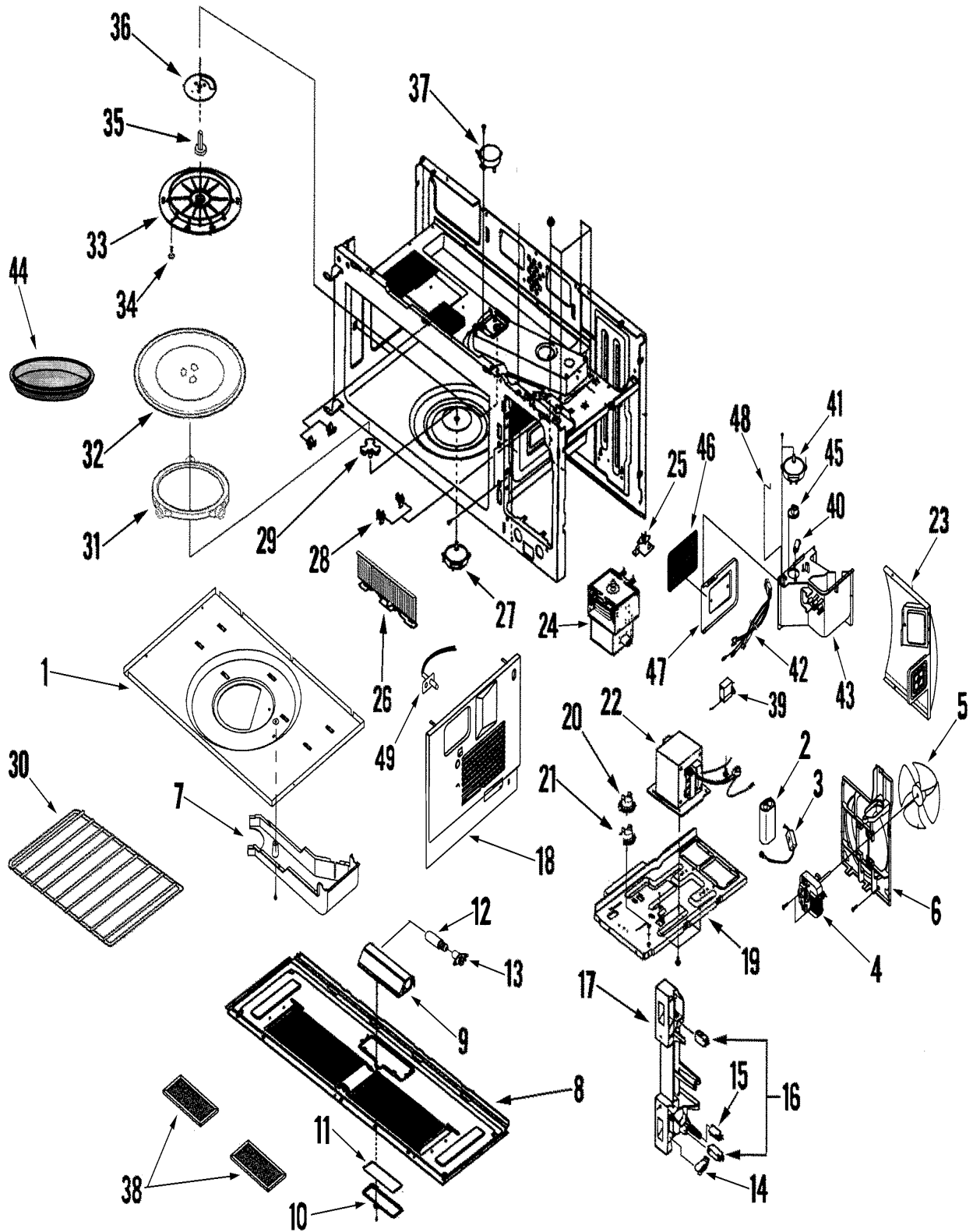
Section: CONTROL PANEL/DOOR/VENT GRILLE

No.	Part No.	Description	Series	Qty
1	DE97-00633A	ASY-BKT-C/PANEL	10	1
2	W10127102	ASY PCB PARTS (UPR)	10	1
3	DE94-01386P	ASY CONTROL-PANEL (STL)	10	1
4	DE34-00233K	SWITCH MEMBRANE (BLK)	10	1
5	DE64-00766B	WINDOW-DISPLAY;4150,SAN,T2.0,W	10	1
6	DE94-01385B	ASY DOOR (STL)	10	1
7	DE97-00655A	ASY GRILLE (BLK)	10	1
8	W10127104	ASY PCB PARTS (LWR)	10	1

*Color Code (-)=Not Shown #=Series, Serial Prefix or Run No., N=Not Available

Section: BASE/CAVITY/INTERNAL CONTROLS

Model: AMV6167BDS



MW13-70

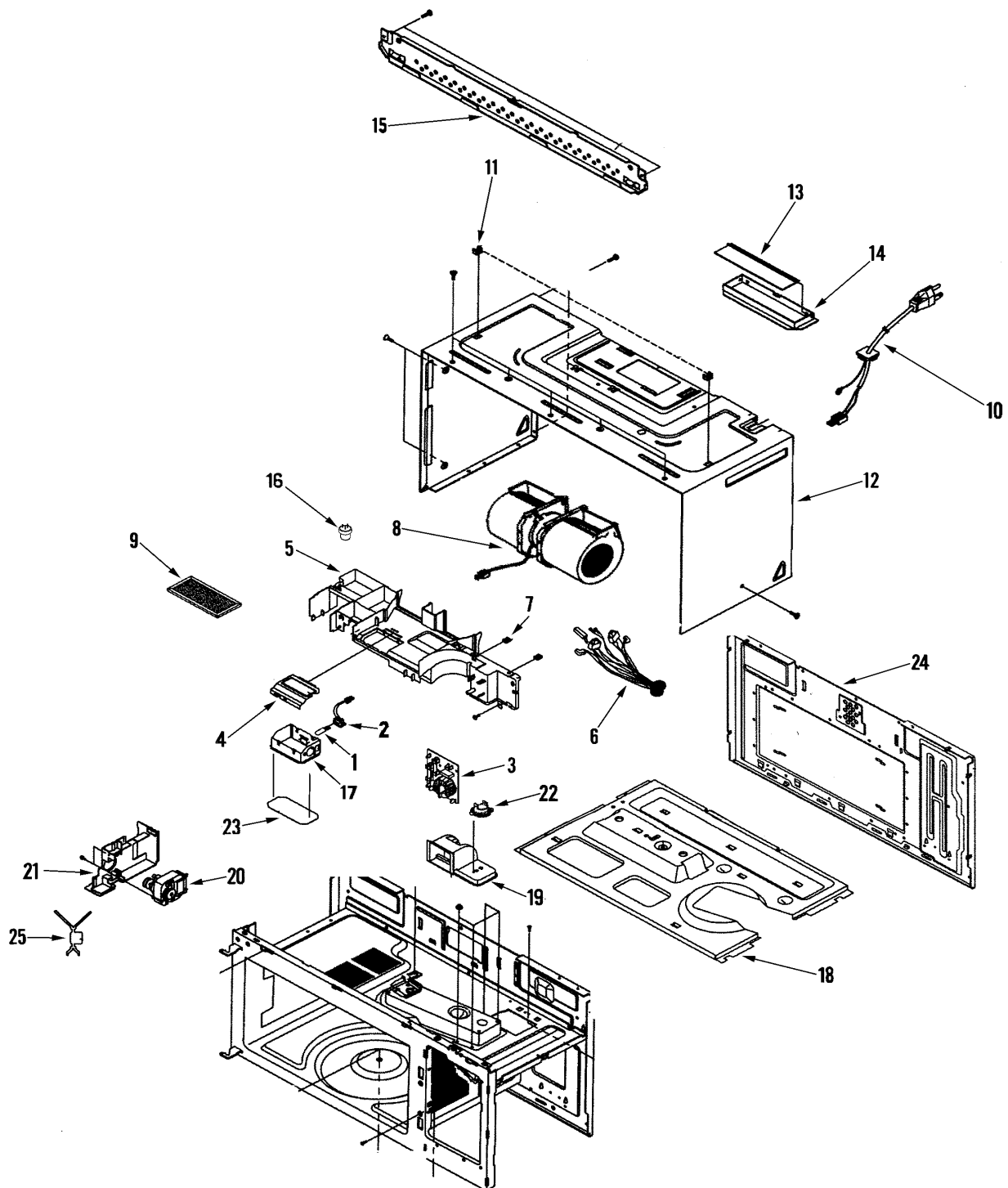
Section: BASE/CAVITY/INTERNAL CONTROLS

No.	Part No.	Description	Series	Qty
1	DE97-00425A	ASY-COVER ADIBATIC LOWER	10	1
2	2501-001016	CAPACITOR	10	1
3	DE91-70063D	ASSY-HVD	10	1
4	DE31-10177E	MOTOR FAN	10	1
5	DE31-90051A	BLADE-FAN	10	1
6	DE63-00141A	COVER-MOTOR	10	1
7	DE61-00502A	GUIDE-AIR(BOTTOM)	10	1
8	DE61-00406B	BASE-BOTTOM	10	1
9	DE61-00407C	BRACKET-BOTTOM LAMP	10	1
10	DE63-00137A	COVER-GLASS COOKTOP	10	1
11	DE64-00911A	GLASS-COOKTOP LAMP	10	1
12	4713-001165	LAMP-HALOGEN	10	1
13	DE47-00032B	SOCKET-LAMP HALOGEN	10	1
14	DE66-90106B	LEVER-SWITCH LOWER	10	1
15	3405-001033	SWITCH-MICRO	10	1
16	3405-001034	SWITCH, MICRO (125/250 VAC)	10	2
17	DE66-00168A	LATCH-BODY;MODULAR-2,PP,-,-,-,-,	10	1
18	DE97-00432A	ASSY-COVER ADIBATIC RIGHT	10	1
19	DE61-00415A	BASE-PLATE	10	1
20	DE47-20059A	SW-THERMO	10	1
21	DE47-20034A	THERMOSTAT	10	1
22	DE26-00125A	TRANS H.V	10	1
23	DE61-00411A	BRACKET-DUCT REAR	10	1
24	W10126786	ASSY-MAGNETRON	10	1
25	DE47-20007A	THERMOSTAT	10	1
26	DE63-00138A	COVER-FRONT	10	1
27	DE31-10173A	MOTOR-DRIVE	10	1
28	DE61-00375A	HOLDER-RACK	10	4
29	DE97-00602A	ASY-COUPLER	10	1
30	DE75-00044A	RACK-WIRE	10	1
31	DE97-00368B	ASSY-GUIDE ROLLER	10	1
32	DE63-00383A	TRAY-COOKING	10	1
33	DE71-60121A	COVER-STIRRER	10	1
34	DE66-20095B	BUTTON-LOCK	10	1
35	DE61-00160A	HOLDER-STIRRED	10	1
36	DE66-00127A	BLADE-STIRRER	10	1
37	DE31-00040A	MOTOR DRIVE	10	1
38	DE63-00196A	FILTER-AIR	10	2
39	DE59-50002A	CAPACITOR-MOTOR	10	1
40	3405-001034	SWITCH, MICRO (125/250 VAC)	10	1
41	DE31-10095B	MOTOR SYNCHRONOUS	10	1
42	DE39-00358B	WIRE HARNESS-B	10	1
43	DE61-00498A	GUIDE-AIR(MGT)	10	1
44	DE63-00234A	TRAY-CONVECTION	10	1
45	DE66-00136A	CAM-MOTOR	10	1
46	DE66-00154A	DAMPER-GASKET	10	1
47	DE66-00156A	DAMPER-SWING	10	1
48 N	DE70-00394A	ROD-DAMPER	10	1
49	DE32-10013A	SENSOR-THERMISTOR	10	1

*Color Code (-)=Not Shown #=Series, Serial Prefix or Run No., N=Not Available

Section: BODY/BLOWER MOTOR

Model: AMV6167BDS



MW14-125

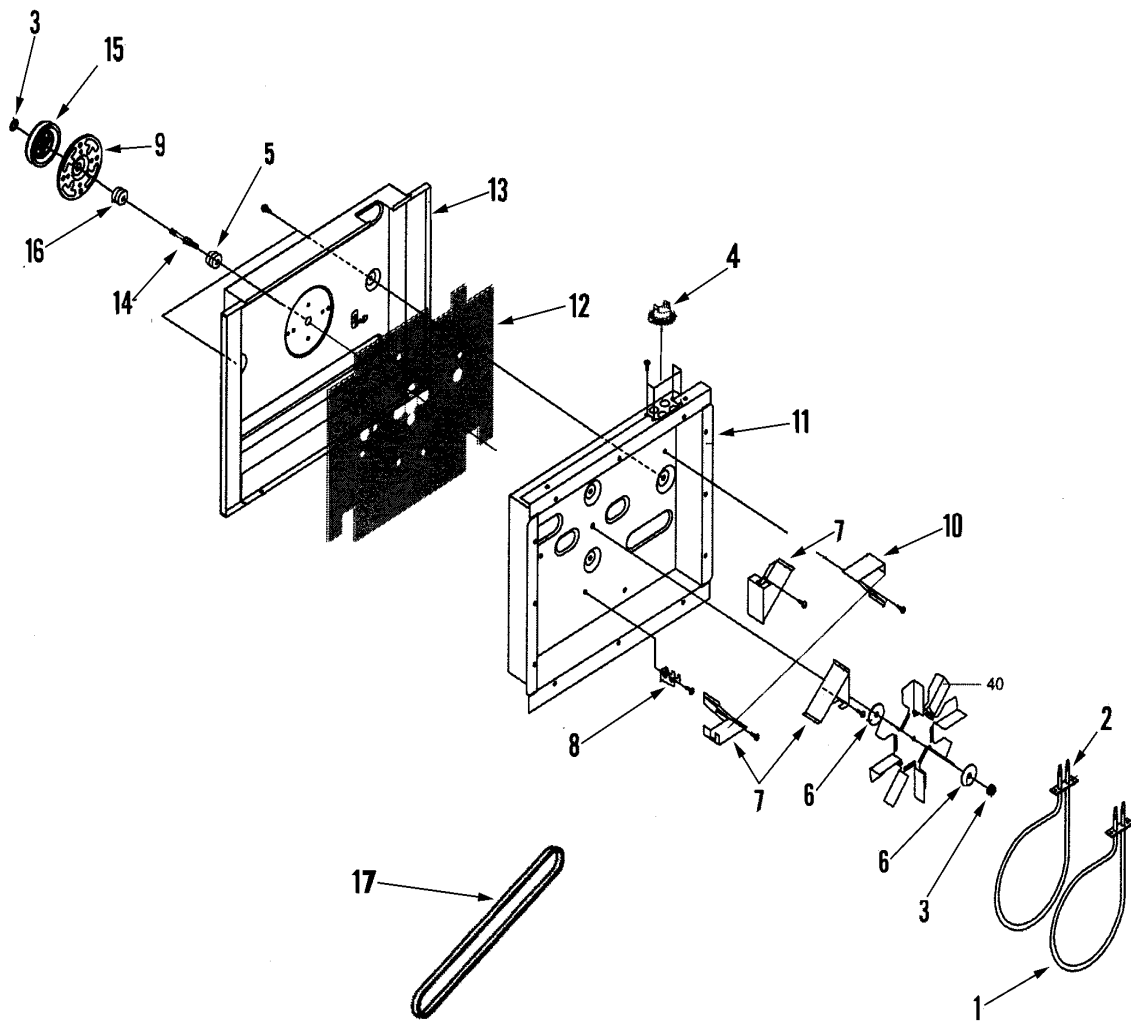
Section: BODY/BLOWER MOTOR

No.	Part No.	Description	Series	Qty
1	4713-001165	LAMP-HALOGEN	10	1
2	DE47-00032A	SOCKET-LAMP HALOGEN	10	1
3	DE96-00400A	ASSY NOISE FILTER;SN-UF12A,250	10	1
4	DE61-00493A	BRACKET-DUCT(U)	10	1
5	DE67-00177A	DUCT-UPPER	10	1
6	DE96-00557A	ASY-WIRE HARNESS C	10	1
7	DE60-30063A	NUT-MOUNTING	10	2
8	DE31-00028C	MOTOR VENTILATION	10	1
9	DE63-00367D	FILTER-CHARCOAL	10	1
10	DE96-00218A	ASSY-POWER CORD	10	1
11	DE92-90508A	ASSY-HOLDER NUT	10	1
-	DE97-00433A	ASSY-PANEL BACK;SMV9165,ASSY-A	10	1
12	DE64-01144A	PANEL-OUTER (BLK)	10	1
13 N	DE71-60051A	COVER-DAMPER	10	1
14	DE72-40022A	DAMPER-MAIN	10	1
15	DE70-00378A	PLATE-MOUNTING	10	1
-	DE61-00525A	HOLDER-SENSOR	10	1
16	DE32-60011A	SENSOR-GAS	10	1
17	DE61-00486A	BRACKET-OVEN	10	1
18	DE97-00426A	ASSY-COVER ADIBATIC UPPER	10	1
19	DE67-00186A	DUCT-EXHAUST	10	1
20	DE31-00032A	MOTOR CONVECTION	10	1
21 N	DE61-00601A	GUIDE-AIR (HEATER)	10	1
22	DE47-20007A	THERMOSTAT	10	1
23	DE64-01088A	GLASS-OVEN LAMP	10	1
24	DE97-00433A	ASSY-PANEL BACK;SMV9165,ASSY-A	10	1
25	DE66-00135A	PULLEY-FAN MOTOR	10	1

*Color Code (-)=Not Shown #=Series, Serial Prefix or Run No., N=Not Available

Section: CONVECTION FAN ASSEMBLY

Model: AMV6167BDS



Section: CONVECTION FAN ASSEMBLY

No.	Part No.	Description	Series	Qty
1	DE47-00030A	HEATER-CONVECTION	10	1
2	DE47-00031A	HEATER-CONVECTION	10	1
3	6021-001149	NUT-HEXAGON FLANGE	10	2
4	DE47-20029A	THERMOSTAT	10	1
5	N DE60-00032A	SPACER-BEARING;SMV9165,SILICON	10	1
6	DE60-40019A	WASHER-DOOR	10	2
7	DE61-00550A	BRACKET-AIR GUIDE	10	3
8	DE61-00602A	HOLDER-HEATER	10	1
9	DE61-00619A	HOLDER-BEARING	10	2
10	DE61-00690A	BRACKET-GUIDE	10	1
11	N DE61-00718A	BRACKET-CASING	10	1
12	DE62-00032A	ADIABATIC CASING	10	1
13	DE63-00176A	COVER-CASING	10	1
14	DE66-00137A	SHAFT-FAN	10	1
15	DE66-00155A	PULLEY-FAN CASING	10	1
16	DE66-10017A	BEARING-FAN	10	2
17	N DE69-00361A	BAND-RUBBER	10	1

*Color Code (-)=Not Shown #=Series, Serial Prefix or Run No., N=Not Available

Section: SUPPLEMENTAL INFORMATION

No.	Part No.	Description	Series	Qty
-	8112P300-60	MANUAL, USE & CARE	10	1
-	DE96-00536A	AST-WIRE HARNESS A	10	1
-	DE92-90505G	ASY-HARDWARE *	10	1
-	DE60-20022A	BOLT-TOGGLE	10	3
-	DE97-00672A	BOLT-FLAT	10	3
-	DE60-30022A	NUT-TOGGLE	10	3
-	DE60-10111A	SCREW-LAG	10	1
-	DE63-10011A	GROMMET	10	2

*Color Code (-)=Not Shown #=Series, Serial Prefix or Run No., N=Not Available

