



# PARTS LIST

## 1210 SERIES

### ALL ELECTRIC MODELS

#### PANEL TYPE DOORS

1210ACIM  
1210ACIMD

#### WRAP TYPE DOORS

1210ACIMSSD  
1210ACSS

### GAS ELECTRIC MODELS

#### PANEL TYPE DOORS

1210            1210C  
1210IM        1210IMC  
1210IMD  
1210IMPFS  
1211IM        1211IMC

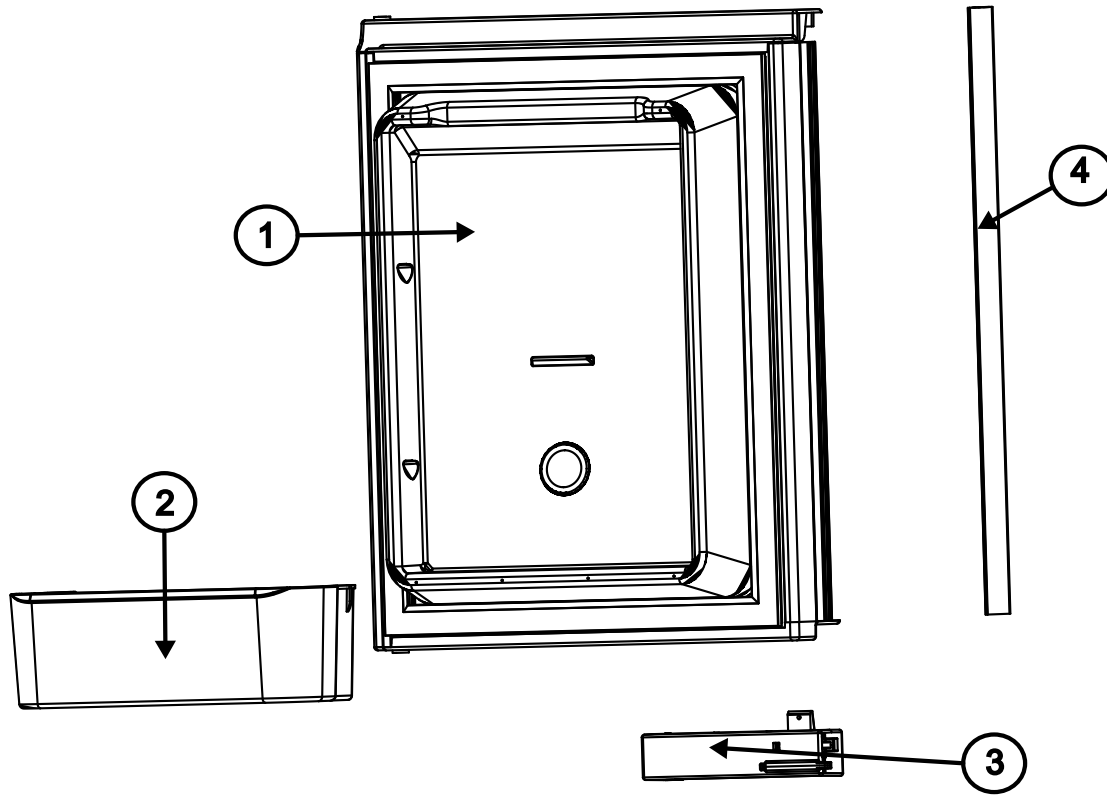
#### WRAP TYPE DOORS

1210BK  
1210IMBK  
1210IMBKD  
1210IMSS      1210IMCSS  
1210IMSSD    1210IMCSSD  
1210SS  
1211IMSS  
1211IMWPM  
1211WPM

#### MODEL IDENTIFICATION CODES

AC = ALL ELECTRIC MODELS  
IM = ICE MAKER MODELS  
BK = BLACK WRAPPED MODELS  
PFS = PANEL DOOR WITH FAUX SS DOOR PANELS INSERTED  
SS = STAINLESS STEEL WRAPPED MODELS  
WPM = PEWTER ROYCE WRAPPED DOOR MODELS  
D = WATER DISPENSER MODELS

# DOOR - UPPER RH - 1210 SERIES



NO.	PART #	DESCRIPTION	1210AC MODELS	1210 1210C MODELS	1211 1211C MODELS
1	627942	DOOR LINER ASSY-UPPER/RH/PANEL	PN	PN	PN
	629130	DOOR LINER ASSY-UPPER/RH/WRAP/BLACK (USE 632740)		BK	
	632740	DOOR LINER ASSY-UPPER/RH/WRAP/AT BLACK (07/30/08 TO SN 14305975)		BK	
	634073	DOOR LINER ASSY-UPPER/RH/WRAP/ANCO BLACK (SN 14305976 & ABOVE)		BK	
	630094	DOOR LINER ASSY-UPPER/RH/WRAP/SS (VALSPAR)(SN 9658578 TO 11723120)	SS	SS	SS
	632739	DOOR LINER ASSY-UPPER/RH/WRAP/SS (AT)(SN 11723121 THRU 13081918)	SS	SS	SS
	634068	DOOR LINER ASSY-UPPER/RH/WRAP/SS (ANCO)(SN 13081919 & ABOVE)	SS	SS	SS
	62913401	DOOR LINER ASSY-UPPER/RH/WRAP/PEWTER ROYCE			WPM
2	628686	BIN-DOOR SHELF	ALL	ALL	ALL
3	629815	DOOR HANDLE ASSY-UPPER RH DOOR/LOWER LH DOOR	ALL	ALL	
	621106	DOOR HANDLE ASSY-UPPER RH DOOR/LOWER LH DOOR			ALL
NS	619374	STORAGE LATCH-DOOR/BLACK (NOT SHOWN)			ALL
4	627947	PANEL RETAINER-UPPER/PANEL TYPE ONLY	PN	PN	PN

PART IS NO LONGER AVAILALBLE

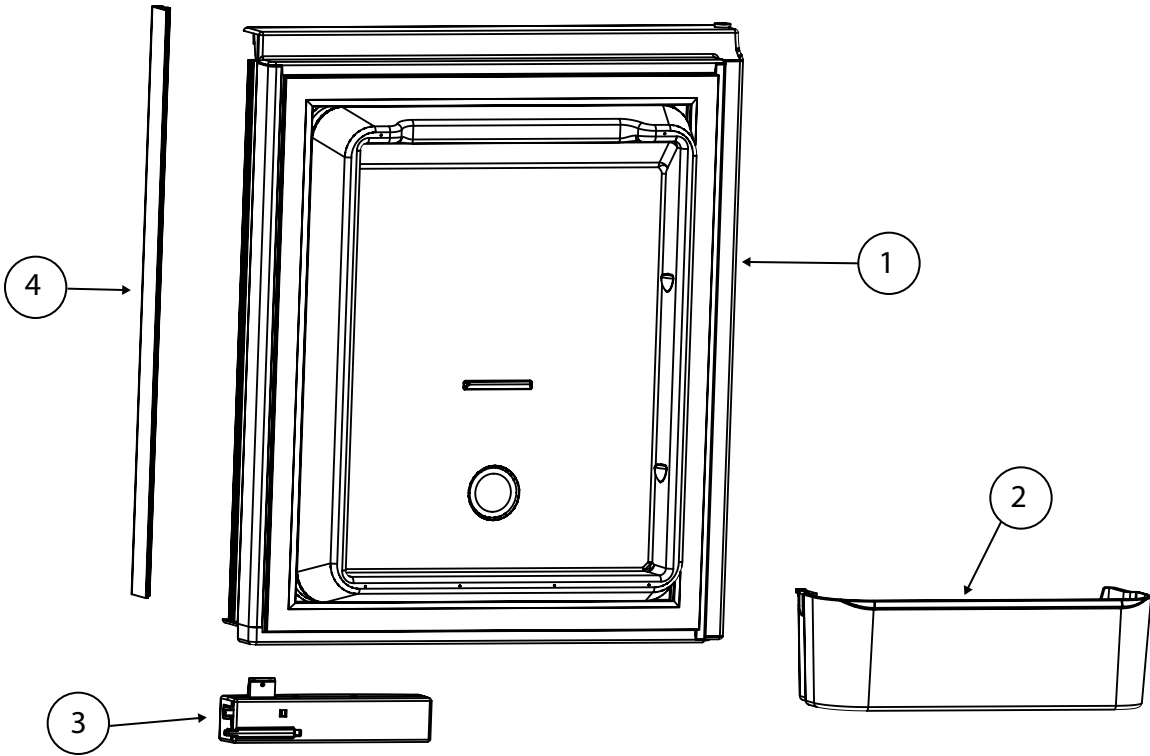
PN = PANEL TYPE DOORS

BK = BLACK WRAP TYPE DOORS

SS = STAINLESS STEEL WRAP TYPE DOORS

WPM = PEWTER ROYCE WRAP TYPE DOORS

# DOOR - UPPER LH - 1210 SERIES



NO.	PART #	DESCRIPTION	1210AC MODELS	1210 1210C MODELS	1211 1211C MODELS
1	627941	DOOR LINER ASSY-UPPER/LH/PANEL	PN	PN	PN
	629129	DOOR LINER ASSY-UPPER/LH/WRAP/BLACK (USE 632742)		BK	
	632742	DOOR LINER ASSY-UPPER/LH/WRAP/AT BLACK (07/30/08 TO SN 14305975)		BK	
	634074	DOOR LINER ASSY-UPPER/LH/WRAP/ANCO BLACK (SN 14305976 & ABOVE)		BK	
	630095	DOOR LINER ASSY-UPPER/LH/WRAP/SS (VALSPAR)(SN 9658578 TO 11723120)	SS	SS	SS
	632741	DOOR LINER ASSY-UPPER/LH/WRAP/SS (AT)(SN 11723121 THRU 13081918)	SS	SS	SS
	634069	DOOR LINER ASSY-UPPER/LH/WRAP/SS (ANCO)(SN 13081919 & ABOVE)	SS	SS	SS
	62913301	DOOR LINER ASSY-UPPER/LH/WRAP/PEWTER ROYCE			WPM
2	628686	BIN-DOOR SHELF	ALL	ALL	ALL
3	629814	DOOR HANDLE ASSY-UPPER LH DOOR/LOWER RH DOOR	ALL	ALL	
	621107	DOOR HANDLE ASSY-UPPER LH DOOR/LOWER RH DOOR			ALL
NS	619374	STORAGE LATCH-DOOR/BLACK (NOT SHOWN)			ALL
4	627947	PANEL RETAINER-UPPER (PANEL TYPE ONLY)	PN	PN	PN

PART IS NO LONGER AVAILABLE

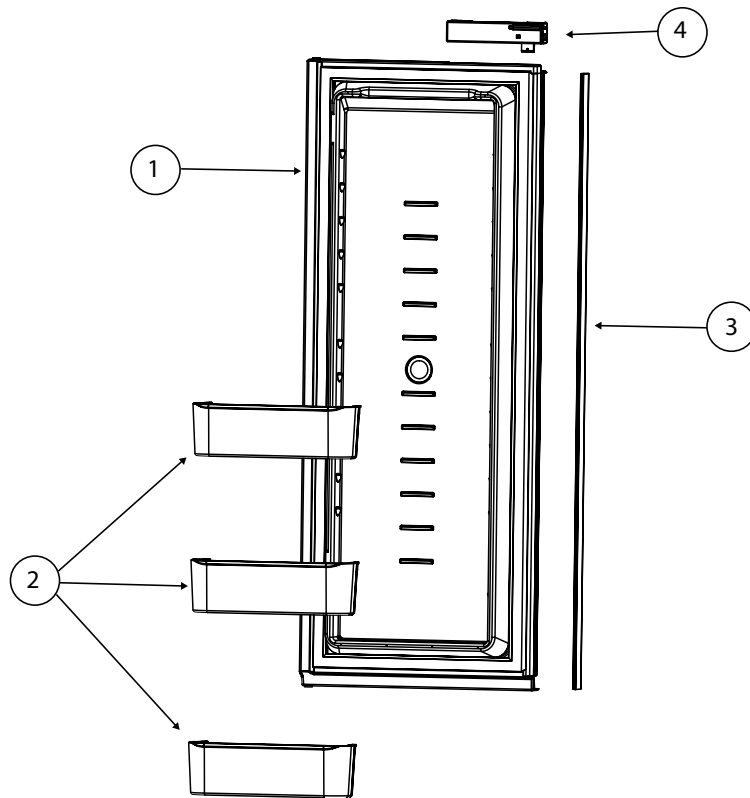
PN = PANEL TYPE DOORS

BK = BLACK WRAP TYPE DOORS

SS = STAINLESS STEEL WRAP TYPE DOORS

WPM = PEWTER ROYCE WRAP TYPE DOORS

# DOOR - LOWER RH - 1210 SERIES



NO.	PART #	DESCRIPTION	1210AC MODELS	1210 1210C MODELS	1211 1211C MODELS
1	627944	DOOR LINER ASSY-LOWER/RH/PANEL	PN	PN	PN
	629132	DOOR LINER ASSY-LOWER/RH/WRAP/BLACK (USE 632744)		BK	
	632744	DOOR LINER ASSY-LOWER/RH/WRAP/AT BLACK (07/30/08 TO SN 14305975)		BK	
	634075	DOOR LINER ASSY-LOWER/RH/WRAP/ANCO BLACK (SN 14305976 & ABOVE)		BK	
	630096	DOOR LINER ASSY-LOWER/RH/WRAP/SS (VALSPAR)(SN 9658578 TO 11723120) (USE 634070)	SS	SS	SS
	632743	DOOR LINER ASSY-LOWER/RH/WRAP/SS (AT)(SN 11723121 THRU 13081918) (USE 634070)	SS	SS	SS
	634070	DOOR LINER ASSY-LOWER/RH/WRAP/SS (ANCO)(SN 13081919 & ABOVE)	SS	SS	SS
	62913601	DOOR LINER ASSY-LOWER/RH/WRAP/PEWTER ROYCE			WPM
2	628686	BIN-DOOR SHELF	ALL	ALL	ALL
3	627948	PANEL RETAINER-LOWER (PANEL TYPE ONLY)	PN	PN	PN
4	629814	DOOR HANDLE ASSY-UPPER LH DOOR/LOWER RH DOOR	ALL	ALL	
	621107	DOOR HANDLE ASSY-UPPER LH DOOR/LOWER RH DOOR			ALL
NS	619374	STORAGE LATCH-DOOR/BLACK (NOT SHOWN)			ALL

PART IS NO LONGER AVAILABLE

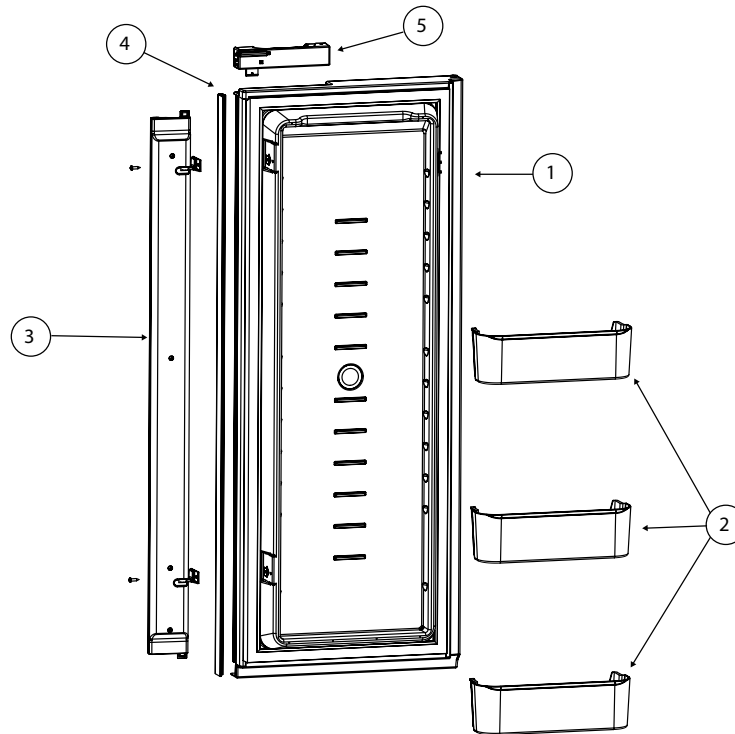
PN = PANEL TYPE DOORS

BK = BLACK WRAP TYPE DOORS

SS = STAINLESS STEEL WRAP TYPE DOORS

WPM = PEWTER ROYCE WRAP TYPE DOORS

# DOOR - LOWER LH - 1210 SERIES



NO.	PART #	DESCRIPTION	1210AC MODELS	1210 1210C MODELS	1211 1211C MODELS
1	627943	DOOR LINER ASSY-LOWER/LH/PANEL	PN	PN	PN
	629146	DOOR LINER ASSY-LOWER/LH/PANEL/DISPENSER		PND	
	629131	DOOR LINER ASSY-LOWER/LH/WRAP/BLACK		BK	
	632747	DOOR LINER ASSY-LOWER/LH/WRAP/AT BLACK (07/30/08 TO SN 14305975) (USE 634076)		BK	
	634076	DOOR LINER ASSY-LOWER/LH/WRAP/ANCO BLACK (SN 14305976 & ABOVE)		BK	
	629148	DOOR LINER ASSY-LOWER/LH/WRAP/BLACK/DISPENSER		BKD	
	632748	DOOR LINER ASSY-LOWER/LH/WRAP/AT BLACK/DISPENSER (07/30/08 TO SN 14305975)		BKD	
	634077	DOOR LINER ASSY-LOWER/LH/WRAP/ANCO BLACK/DISPENSER (SN 14305976 & ABOVE)		BKD	
	630097	DOOR LINER ASSY-LOWER/LH/WRAP/SS (VALSPAR)(SN 9658578 TO 11723120) (USE 632745)	SS	SS	SS
	632745	DOOR LINER ASSY-LOWER/LH/WRAP/SS (AT)(SN 11723121 THRU 13081918)	SS	SS	SS
	634071	DOOR LINER ASSY-LOWER/LH/WRAP/SS (ANCO)(SN 13081919 & ABOVE)	SS	SS	SS
	630098	DOOR LINER ASSY-LOWER/LH/WRAP/SS/DISPENSER (VALSPAR)(SN 9658578 TO 11723120)	SSD	SSD	SSD
	632746	DOOR LINER ASSY-LOWER/LH/WRAP/SS/DISPENSER (AT)(SN 11723121 THRU 13081918)	SSD	SSD	SSD
	634072	DOOR LINER ASSY-LOWER/LH/WRAP/SS/DISPENSER (ANCO)(SN 13081919 & ABOVE)	SSD	SSD	SSD
	62913501	DOOR LINER ASSY-LOWER/LH/WRAP/PEWTER ROYCE			WPM
2	628686	BIN-DOOR SHELF	ALL	ALL	ALL
3	631030	FLAPPER ASSY (SERIAL # 10414601 AND ABOVE)	ALL	ALL	ALL
	631366	KIT-FLAPPER ASSY/GUIDE BLOCKS (SERIAL# 10414600 & BELOW)	ALL	ALL	ALL
4	627948	PANEL RETAINER-LOWER (PANEL TYPE ONLY)	PN	PN	PN
5	629815	DOOR HANDLE ASSY-UPPER RH DOOR/LOWER LH DOOR	ALL	ALL	
	621106	DOOR HANDLE ASSY-UPPER RH DOOR/LOWER LH DOOR			ALL
NS	619374	STORAGE LATCH-DOOR/BLACK (NOT SHOWN)			ALL

PART IS NO LONGER AVAILABLE

PN = PANEL TYPE DOORS

PND = PANEL TYPE DOORS DISPENSER MODELS

BK = BLACK WRAP TYPE DOORS

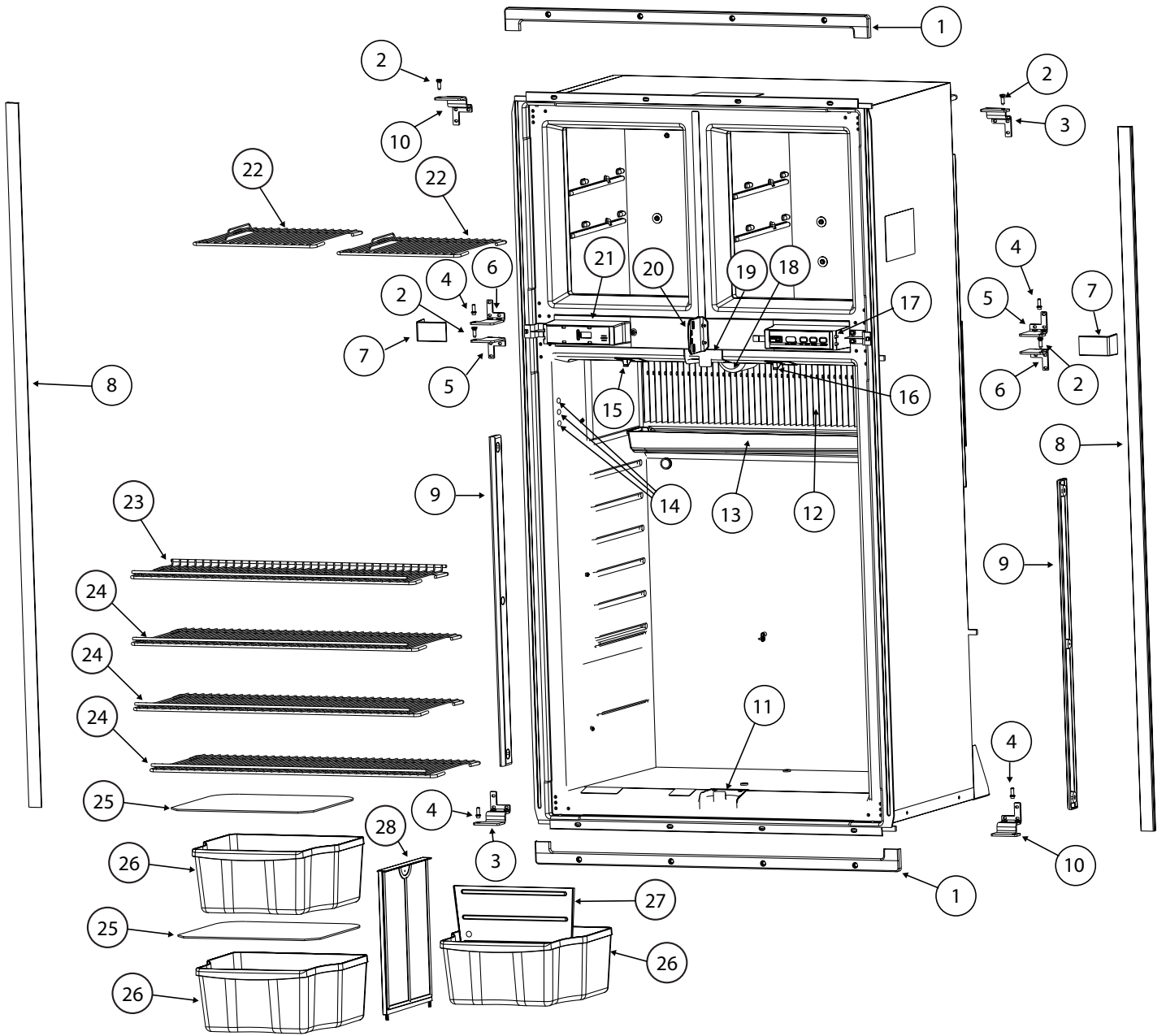
BKD - BLACK WRAP TYPE DOORS DISPENSER MODELS

SS = STAINLESS STEEL WRAP TYPE DOORS

SSD = STAINLESS STEEL WRAP TYPE DOORS DISPENSER MODELS

WPM = PEWTER ROYCE WRAP TYPE DOORS

# CABINET ASSEMBLY - FRONT VIEW - 1210 SERIES

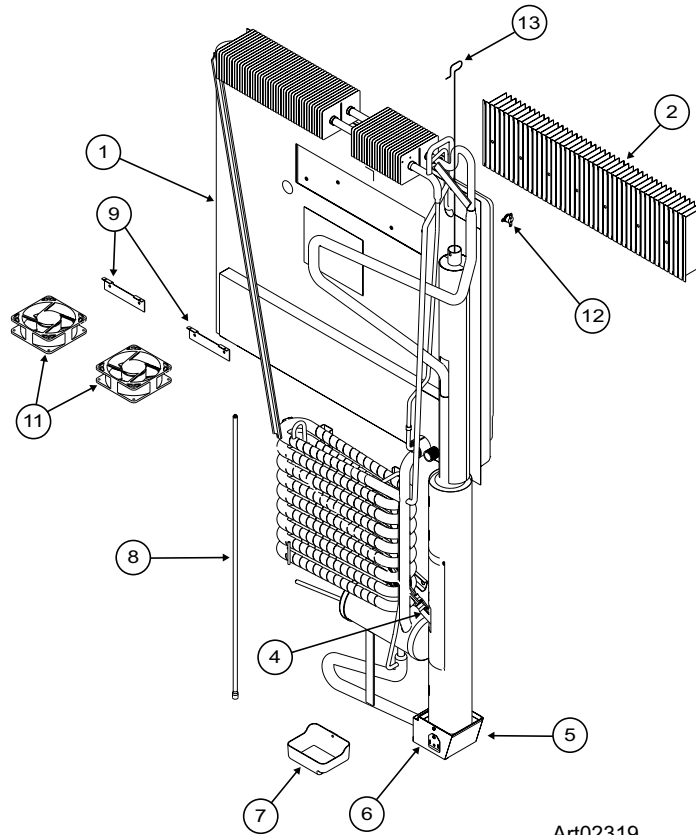


## CABINET ASSEMBLY - FRONT VIEW - 1210 SERIES

NO.	PART #	DESCRIPTION	1210AC MODELS	1210 1210C MODELS	1211 1211C MODELS
1	623528	KIT-INSTALLATION ("U" TRIM PIECES/SCREWS/CAPS)	X	X	X
NS	618170	HOLE PLUG-FOR TOP TRIM PIECE/BLACK	X	X	X
2	623899	HINGE PIN-UPPER/BLACK	X	X	X
3	628946	HINGE-OUTSIDE/UPPER RH/LOWER LH	X	X	X
4	61550722	HINGE PIN-LOWER	X	X	X
5	624363	HINGE-INSIDE/UPPER RH/LOWER LH	X	X	X
6	624364	HINGE-INSIDE/UPPER LH/LOWER RH	X	X	X
7	627955	COVER-HINGE/1210 SERIES	X	X	X
8	623254	TRIM PIECE-SIDE/WITH "U" TOP/BOTTOM TRIM PIECE	X	X	X
9	622033	RETAINER-SHELF	X	X	X
10	628945	HINGE-OUTSIDE/UPPER LH/LOWER/RH	X	X	X
11	631360	GUIDE BLOCK ASSY-BOTTOM/BLACK (SERIAL # 10414601 & ABOVE)	X	X	X
	631366	KIT-FLAPPER ASSY/GUIDE BLOCKS (SERIAL# 10414600 & BELOW)	X	X	X
12	618785	FINS	X	X	X
13	618774	DRIP TRAY-INSIDE/CABINET	X	X	X
NS	622392	DRAIN HOSE ASSY-1200 SERIES	X	X	X
14	620689	PROBE-CONTACT/LARGE	X	X	X
15	623918	SWITCH-DOOR LIGHT/1200 SERIES	X	X	X
16	620871	LAMP THERMISTER WIRE ASSY	X	X	X
17	629113	CONTROL ASSY-OPTICAL/GE/1210 SERIES		X	X
	629817	CONTROL ASSY-OPTICAL/AC/1210 SERIES	X		
18	621827	COVER-LAMP BRACKET	X	X	X
NS	61629722	LAMP BRACKET ASSY	X	X	X
NS	632545	LAMP-DC LIGHT BULB	X	X	X
19	631359	GUIDE BLOCK ASSY-TOP/BLACK (SERIAL # 10414601 & ABOVE)	X	X	X
	631366	KIT-FLAPPER ASSY/GUIDE BLOCKS (SERIAL# 10414600 & BELOW)	X	X	X
20	628473	STRIKE PLATE-BLACK	X	X	X
21	624366	FRONT BOX-DUMMY BOX (NON-DISPENSER MODELS ONLY)	X	X	X
NS	628460	PLATE-FOR DUMMY BOX (NON-DISPENSER MODELS ONLY)	X	X	X
NS	628454	CONTROL PANEL (DISPENSER MODELS ONLY)	X	X	X
22	618847	SHELF-WIRE/FREEZER/1200 SERIES	X	X	X
23	618849	SHELF-WIRE/SHORT/1200 SERIES	X	X	X
24	618848	SHELF-WIRE/LONG/1200 SERIES	X	X	X
25	618757	CRISPER COVER-GLASS SHELF	X	X	X
26	628688	BIN-BOTTLE/CRISPER	X	X	X
27	628694	DIVIDER-BOTTLE CRISPER	X	X	X
28	632608	SUPPORT WALL-FOR CRISPER BIN	X	X	X
29	625210	STRIP-FREEZER-BLACK	X	X	X
NS	61630422	ICE CUBE TRAY-PLASTIC (NON-ICE MAKER MODELS ONLY)	X	X	X

NS = NOT SHOWN

# CABINET ASSEMBLY - REAR VIEW (COOLING UNIT AREA) - 1210 SERIES



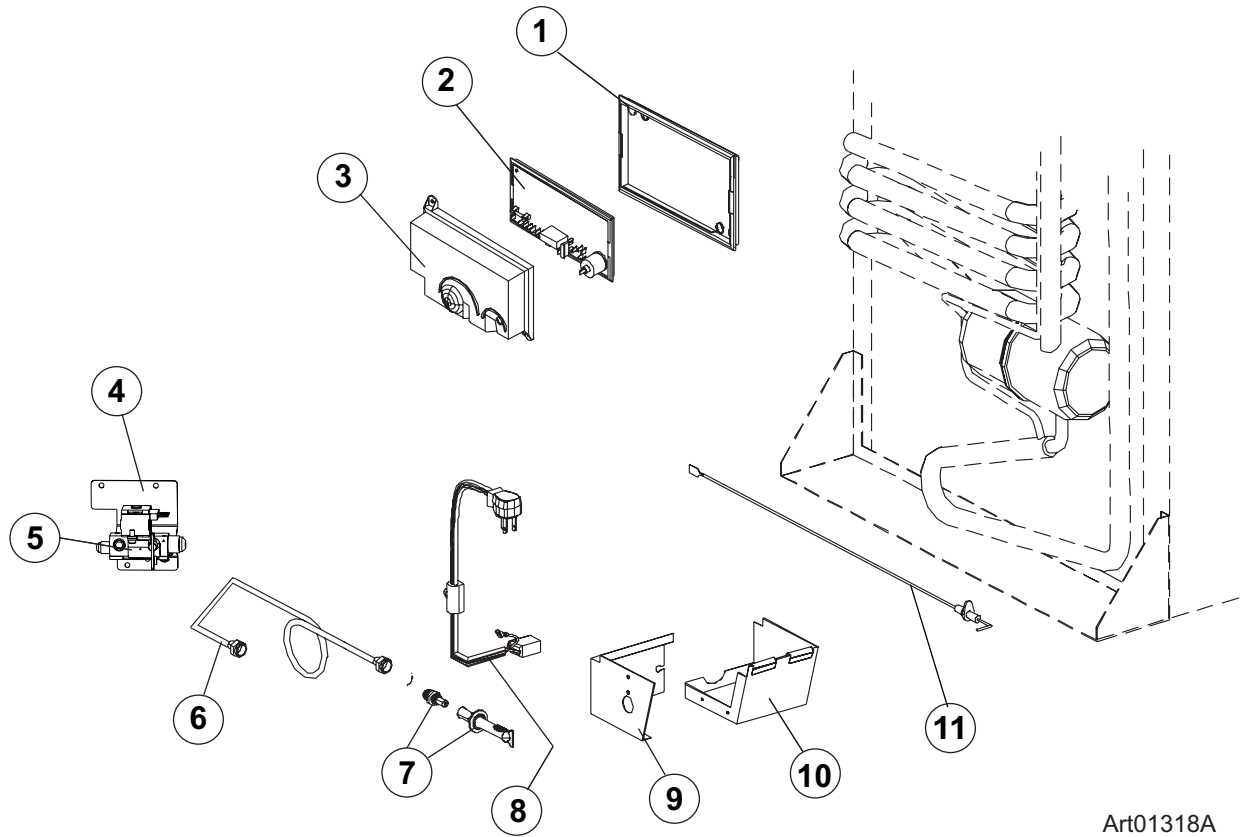
Art02319

NO.	PART #	DESCRIPTION	1210AC MODELS	1210 1210C MODELS	1211 1211C MODELS
1	634746	SYSTEM PACK-COOLING UNIT/STEP (BACKER HEATER) (SERIAL # 14883315 & BELOW)	X	X	X
	634747	SYSTEM PACK-COOLING UNIT/STRAIGHT (BACKER HEATER) (SERIAL # 14883316 & ABOVE)	X	X	X
2	618785	FINS-EVAPORATOR	X	X	X
NS	629099	CAP-HEAT DEFLECTOR (SERIAL # 16240755 & BELOW)	X	X	X
4	618872	HEATER-AC (2 PER SYSTEM)(COOLING UNIT SERIAL# 11231145 & BELOW)	X	X	X
	630807	HEATER-AC/BACKER (2 PER SYSTEM)(COOLING UNIT SERIAL# 11231146 & ABOVE)	X	X	X
5	618902	BASE-BURNER BOX (SERIAL # 16240755 & BELOW)	X	X	X
	61695322	BASE-BURNER BOX (SERIAL # 16240756 & ABOVE)	X	X	X
6	618910	COVER ASSY-BURNER BOX	X	X	X
7	622546	DRIP CUP-REAR/PLASTIC	X	X	X
8	622392	DRAIN HOSE ASSY (SERIAL # 16240755 & BELOW)	X	X	X
	635407	DRAIN HOSE ASSY (SERIAL # 16240756 & ABOVE)	X	X	X
9	628747	BRACKET-DC FAN (2 PER SYSTEM) (SERIAL # 9144576 THRU 16240755)	X	X	X
	628747	BRACKET-DC FAN (2 PER SYSTEM) (SERIAL # 16240756 & ABOVE)	X	X	X
11	628685	FAN-EXTERNAL DC (2 PER SYSTEM)(SERIAL # 9144576 & ABOVE)	X	X	X
12	618093	THERMOSTAT-DC FAN/THERMO DISC	X	X	X
13	618915	BAFFLE DIFFUSER/WIRE ASSY (SERIAL # 16240755 & BELOW)	X	X	X
	635339	BAFFLE DIFFUSER/WIRE ASSY (SERIAL # 16240756 & ABOVE)	X	X	X
NS	628011	SPACER-NYLON	X	X	X

NS = NOT SHOWN



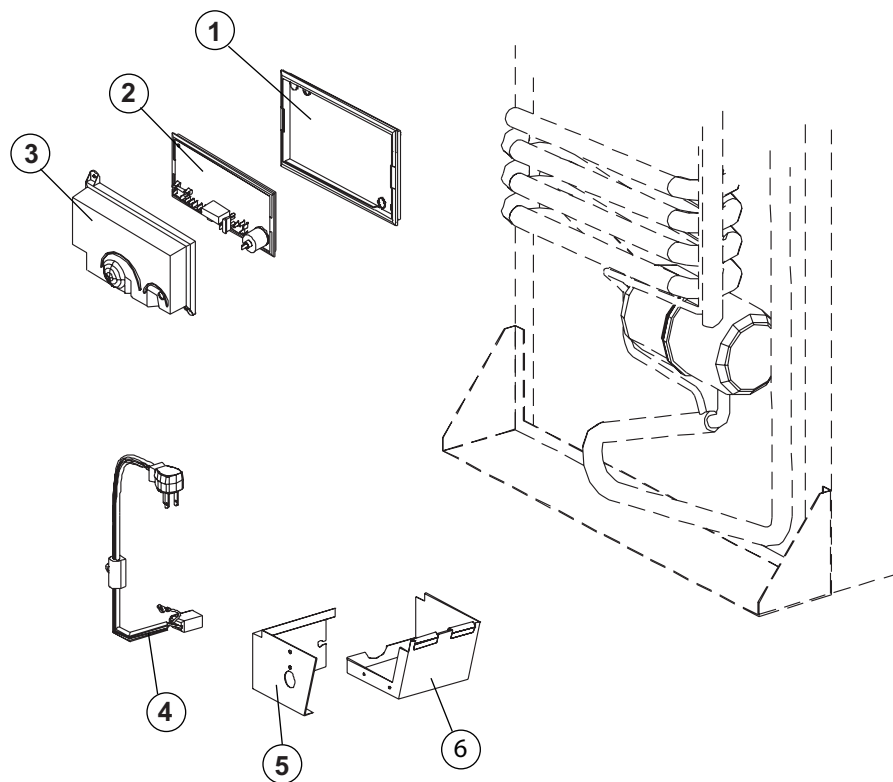
# CABINET - REAR VIEW CONTROLS - 1210 SERIES (G/E)



Art01318A

NO.	PART #	DESCRIPTION	1210 1210C MODELS	1210IM 1210IMC MODELS	1211 1211C MODELS	1211IM 1211IMC MODELS
1	628674	BASE-POWER BOARD	X	X	X	X
2	628661	POWER BOARD	X	X	X	X
3	628677	COVER-POWER BOARD	X	X	X	X
4	628993	BRACKET-GAS VALVE	X	X	X	X
5	633726	GAS VALVE	X	X	X	X
6	624683	BURNER TUBE-1200 SERIES	X	X	X	X
7	629013	KIT-BURNER ORIFICE ADAPTER ASSY (ORIFICE REPLACEMENT)	X	X	X	X
8	61554422	CORD-AC POWER	X	X	X	
	621755	CORD-POWER/WHITE (ICE MAKER MODELS ONLY)		X		
	618406	CORD-AC POWER/ICE MAKER				X
9	618910	COVER ASSY-BURNER BOX	X	X	X	X
10	618902	BASE-BURNER BOX (SERIAL # 16240755 & BELOW)	X	X	X	X
	61695322	BASE-BURNER BOX (SERIAL # 16200756 & ABOVE)	X	X	X	X
11	61692222	ELECTRODE-SPARK/SENSE/SINGLE ELECTRODE/0.25"	X	X	X	X

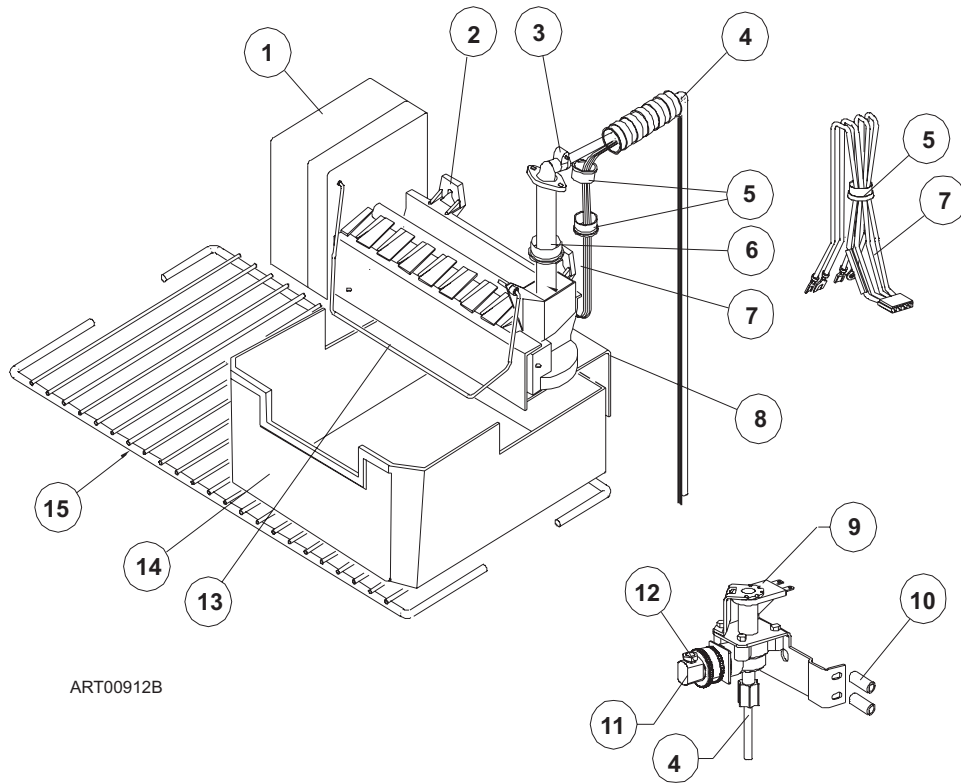
# CABINET - REAR VIEW CONTROLS 1210AC SERIES (ALL ELECTRIC MODELS)



Art01318B

NO.	PART #	DESCRIPTION	1210AC MODELS	1210ACIM MODELS
1	628674	BASE-POWER BOARD	X	X
2	628661	POWER BOARD (SERIAL # 9098172 & ABOVE)	X	X
3	628677	COVER-POWER BOARD (SERIAL # 9098172 & ABOVE)	X	X
4	61554422	CORD-AC POWER	X	X
	621755	CORD-POWER/ICE MAKER/WHITE		X
5	618910	COVER ASSY-BURNER BOX	X	X
6	618902	BASE-BURNER BOX (SERIAL # 16240755 & BELOW)	X	X
	61695322	BASE-BURNER BOX (SERIAL # 16240755 & ABOVE)	X	X

# ICE MAKER AND RELATED COMPONENTS - 1210 SERIES - NON-DISPENSER MODELS

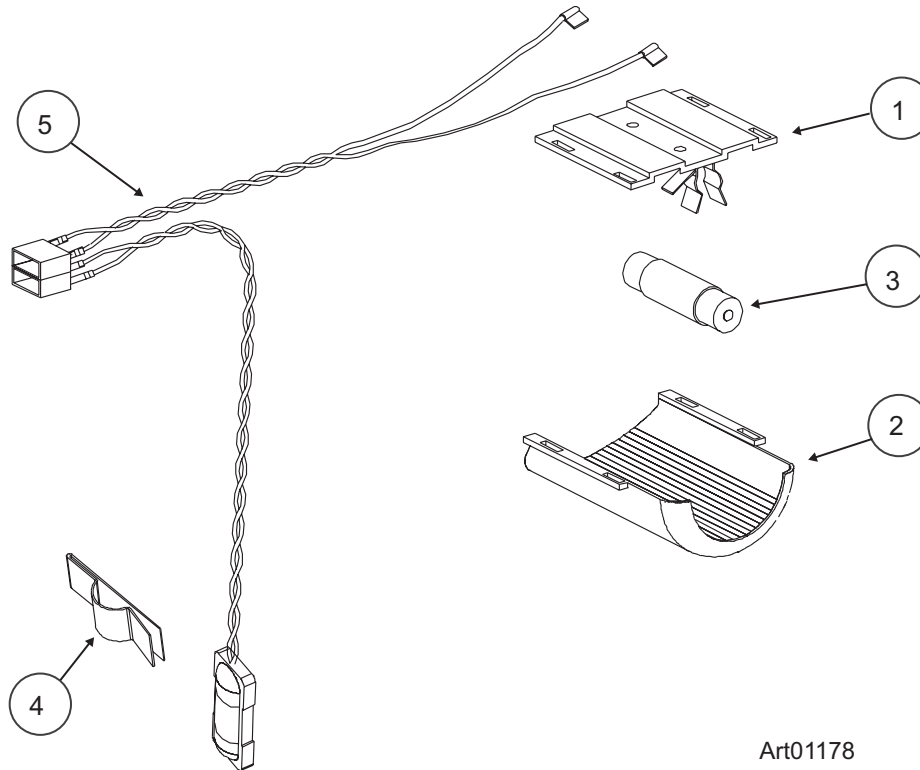


ART00912B

NO.	PART #	DESCRIPTION	1210AC MODELS	1210 1210C MODELS	1211 1211C MODELS
1	61656822	COVER-FRONT/ICE MAKER	X	X	X
2	633324	KIT-ICE MAKER	X	X	X
3	61690822	CLAMP-HOSE/TUBING/IM	X	X	X
	622991	NUT-COMPRESSION/PLASTIC	X	X	X
4	621429	WATER TUBE/HEATER ASSY/FOR ICE MAKER (MODELS WITHOUT DISPENSER)	X	X	X
	625879	WATER TUBE/HEATER ASSY/FOR ICE MAKER (MODELS WITH DISPENSER)	X	X	X
5	61541422	BUSHING-SNAP	X	X	X
6	620039	FITTING-WATER TUBE/IM/4.17"	X	X	X
7	618407	WIRING HARNESS-IM	X	X	X
8	620890	BRACKET-IM MOUNTING	X	X	X
9	633325	KIT-WATER VALVE-SINGLE PORT	X	X	X
	624516	WATER VALVE-DUAL PORT/DISPENSER	X	X	X
10	618169	SPACER-WATER VALVE/NYLON (2 PER ASSEMBLY)	X	X	X
11	61679622	GARDEN HOSE ADAPTER-STRAIGHT/IM	X	X	X
12	622991	NUT-COMPRESSION/WATER VALVE FITTING/IM/PLASTIC	X	X	X
	622846	NUT-BRASS/GARDEN HOSE ADAPTER	X	X	X
	625880	NUT-COMPRESSION 5/16"/DISPENSER MODELS	X	X	X
13	61656922	SHUT OFF ARM/IM	X	X	X
14	618803	BIN-ICE	X	X	X
15	618847	SHELF-WIRE/FREEZER	X	X	X
NS	620240	THERMOSTAT-IM HEATER ASSY	X	X	X

NS = NOT SHOWN

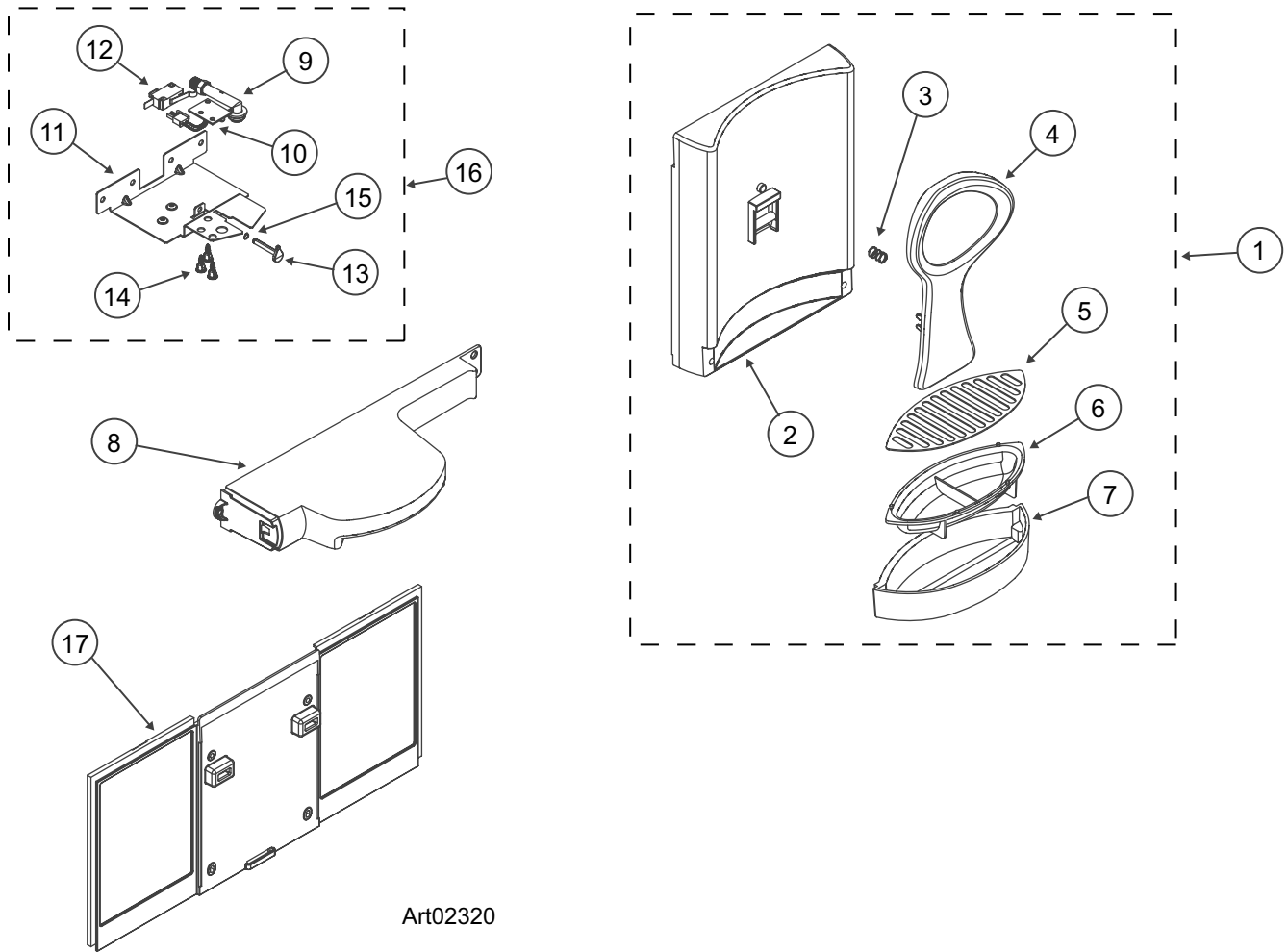
# INTERIOR LIGHT/THERMISTER ASSEMBLY - 1210 SERIES



Art01178

NO.	PART #	DESCRIPTION	1210AC MODELS	1210 1210C MODELS	1211 1211C MODELS
1	61629722	LAMP BRACKET ASSY	X	X	X
2	621827	COVER-LAMP BRACKET	X	X	X
3	632545	LAMP-GE #214-2/DC LIGHT BULB	X	X	X
4	633734	CLIP-THERMISTER MOUNTING/FIN	X	X	X
5	620871	LAMP/THERMISTER WIRE ASSY	X	X	X

# WATER DISPENSER - 1210 SERIES - FRONT VIEW



Art02320

NO.	PART #	DESCRIPTION	1210AC MODELS	1210 1210C MODELS	1211 1211C MODELS
1	629528	BACKSPLASH ASSY	X	X	X
2	627570	BACKSPLASH/CLIP ASSY (USE 635687)	X	X	X
	635687	BACKSPLASH/CLIP ASSY	X	X	X
3	625366	DRIP TRAY	X	X	X
4	618182	SPRING-COMPRESSION	X	X	X
5	624391	PADDLE	X	X	X
6	625385	DRIP CUP	X	X	X
7	625241	DRAIN GRID	X	X	X
8	628454	CONTROL PANEL-HOUSING	X	X	X
9	626820	SPIGOT	X	X	X
10	627143	BOARD-LED	X	X	X
11	628476	BRACKET-SWITCH	X	X	X
12	624574	SWITCH	X	X	X
13	624392	PLUNGER-SWITCH	X	X	X
14	625006	FASTENER-LED BOARD	X	X	X
15	624573	RING-RETAINING	X	X	X
16	629526	SWITCH/BRACKET ASSY	X	X	X
17	624390	TRIM PANEL	X	X	X

PART IS NO LONGER AVAILABLE

## WATER DISPENSER PARTS LISTING - LISTED ALPHABETICALLY BY DESCRIPTION

PART #	DESCRIPTION	1210AC MODELS	1210 1210C MODELS	1211 1211C MODELS
629528	BACKSPLASH ASSY-DISPENSER	X	X	X
627570	BACKSPLASH/CLIP ASSY (USE 635687)	X	X	X
635687	BACKSPLASH/CLIP ASSY	X	X	X
627143	BOARD-LED/DISPENSER	X	X	X
628476	BRACKET-SWITCH/DISPENSER/1210 SERIES	X	X	X
624503	BRACKET-WATER VALVE/DISPENSER	X	X	X
625881	CONNECTOR-5/16" UNION/DISPENSER	X	X	X
625528	CONNECTOR-UNION/DISPENSER	X	X	X
628454	CONTROL PANEL-HOUSING/DISPENSER/1210 SERIES	X	X	X
625886	COVER ASSY-RESERVOIR/WITH VELCRO/CABINET/DISPENSER	X	X	X
629146	DOOR LINER ASSY-LOWER/LH/PANEL/DISPENSER	X	X	X
629148	DOOR LINER ASSY-LOWER/LH/WRAP/BLACK/DISPENSER	X	X	X
630098	DOOR LINER ASSY-LOWER/LH/WRAP/SS/DISPENSER (VALSPAR)	X	X	X
625241	DRAIN GRID-DISPENSER	X	X	X
625385	DRIP CUP-DISPENSER	X	X	X
625366	DRIP TRAY-DISPENSER	X	X	X
625006	FASTENER-LED BOARD/DISPENSER	X	X	X
626803	HEATER-WATER LINE-DISPENSER	X	X	X
626804	HEATER-WATER VALVE/DISPENSER	X	X	X
626802	JUMPER-WIRE HARNESS/DISPENSER	X	X	X
625882	KIT-IM TUBE FITTINGS/DISPENSER	X	X	X
625880	NUT-COMPRESSION 5/16"/DISPENSER	X	X	X
624391	PADDLE-DISPENSER	X	X	X
624392	PLUNGER-SWITCH/DISPENSER	X	X	X
624573	RING-RETAINING/DISPENSER	X	X	X
626820	SPIGOT-WATER DISPENSER	X	X	X
618182	SPRING-COMPRESSION/DISPENSER	X	X	X
629526	SWITCH/BRACKET ASSY-DISPENSER	X	X	X
624574	SWITCH-DISPENSER	X	X	X
624390	TRIM PANEL-DISPENSER	X	X	X
624502	WATER RESERVOIR-DISPENSER	X	X	X
625879	WATER TUBE/HEATER ASSY/FOR ICE MAKER/DISPENSER	X	X	X
625856	WATER VALVE/HEATER ASSY-DISPENSER	X	X	X
624516	WATER VALVE-DUAL PORT/DISPENSER	X	X	X

PART IS NO LONGER AVAILABLE

NOTE: PARTS SPECIFIC TO THE WATER DISPENSER MODELS.