



User's Guide

POWER *Patio Awning*

USA
SERVICE OFFICE
Dometic, LLC
2320 Industrial Parkway
Elkhart, IN 46516
574-294-2511

CANADA
Dometic, LLC
46 Zatonski, Unit 3
Brantford, ON N3T 5L8
CANADA
519-720-9578

For Service Center
Assistance Call:
800-544-4881

User's Guide

Power Patio Awning
Model(s)
895(X)0(X)(X).400(X)

REVISION:
Form No. 3312736.014 3/10
(Replaces 3312736.000)
(French 3312739.018)
©2010 Dometic, LLC
LaGrange, IN 46761

SAFETY INSTRUCTIONS

This manual has safety information and instructions to help users eliminate or reduce the risk of accidents and injuries.

RECOGNIZE SAFETY INFORMATION



This is the safety-alert symbol. When you see this symbol in this manual, be alert to the potential for personal injury.

Follow recommended precautions and safe operating instructions.

UNDERSTAND SIGNAL WORDS

A signal word, **WARNING** OR **CAUTION** is used with the safety-alert symbol. They give the level of risk for potential injury.

WARNING indicates potentially hazardous situation which, if not avoided, could result in death or serious injury.

CAUTION indicates a potentially hazardous situation which, if not avoided, may result in minor or moderate injury.

CAUTION used without the safety alert symbol indicates, a potentially hazardous situation which, if not avoided, may result in property damage.

Read and follow all safety information and instructions.

OPERATING INSTRUCTIONS

To Open Awning:

1. Remote Rocker Switch
 - a. Press and hold the "Extend" button and the awning will automatically open. If the button is released the awning will stop. Maintain button depressed until awning is fully extended then release.
 - b. Verify that the valance is in the correct orientation (see FIG. 1). Tap the rocker switch in the "Retract" direction to adjust the valance orientation if necessary. Allowing the valance to remain in the hyper-extended orientation may create a propensity to pool water, especially in larger (17'-21') awnings.



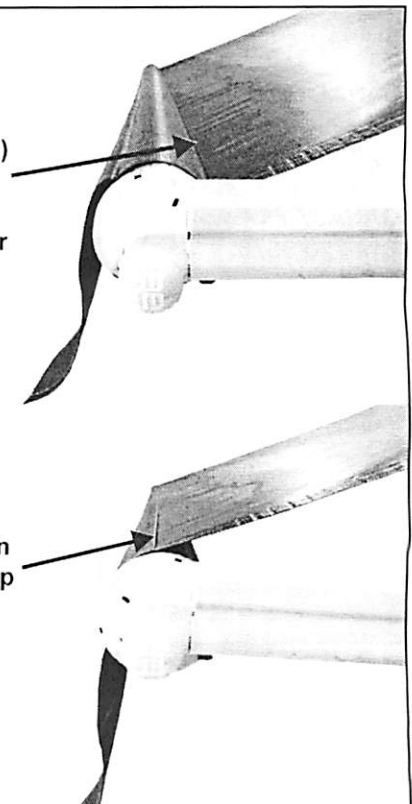
CAUTION

The Power Patio Awning is extremely durable and can be operated during light rain and wind conditions. However, when periods of heavy rain, or wind is expected; or you leave the awning unattended the awning should be closed. Damage caused by wind and rain is not covered by warranty.

FIG. 1

Incorrect
(Hyper-Extended)
Orientation
(Rope Located
Behind The Roller
Tube)

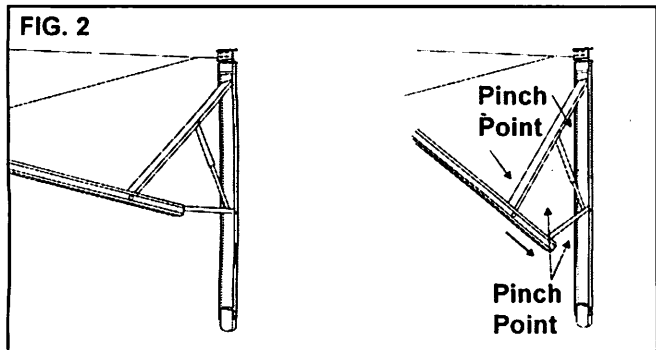
Correct Orientation
(Rope Located Atop
The Roller Tube)



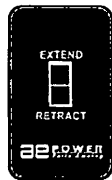
To Close Awning:

⚠ CAUTION

Pinch Hazard. When closing awning, bottom arm will fold down and against back channel. This area must be kept clear of people and objects. Failure to heed this warning could cause severe personal injury and/or property damage.



1. Remote Rocker Switch
 - a. Press and hold the "Retract" button to automatically close awning. If the button is released the awning will stop. Maintain button depressed until awning is fully retracted, then release.



Important: As an extra safety precaution, visually verify that the awning is fully closed.

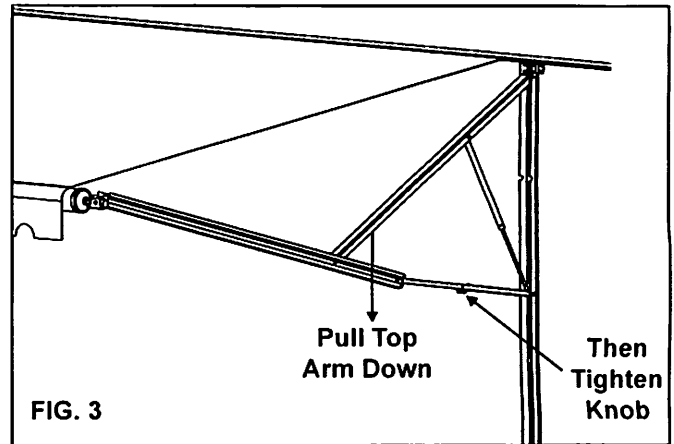
To Adjust The Awning Pitch:

1. With awning fully extended, loosen knob on bottom arm.

CAUTION

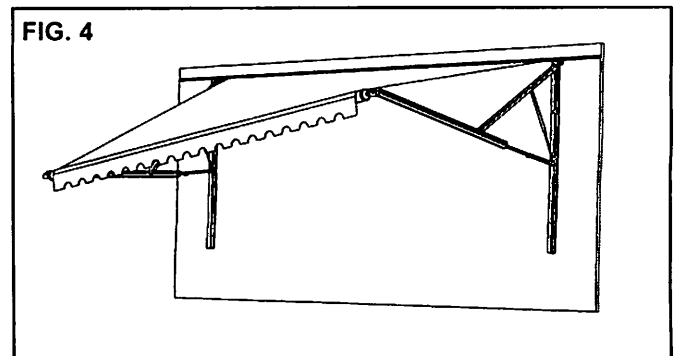
Pinch Hazard. When adjusting awning pitch, bottom arm will telescope. Keep hands and objects clear of openings around bottom arm. Failure to heed this warning could cause personal injury.

2. Pull top arm down to lower roller tube to desired height.
3. While holding top arm in place, tighten knob to set pitch.
4. Repeat for hardware on other side.



Important: To ensure rain water will run off awning, ensure that one end of the awning is lower than the other end. This will reduce the potential for water pooling in the center of the awning. See FIG. 4.

5. Prior to closing awning, loosen knob to allow awning to reset to original position. Lightly tighten knob to reduce potential for sounds of rattling during travel.



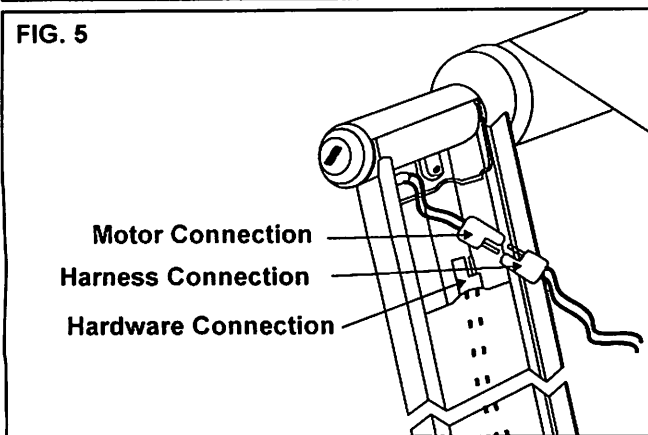
In Case Of Awning Power Failure Or To Manually Close Awning:

Important: This procedure will require two people. When this procedure has been performed, the awning must be serviced by a Dometic Service Center or a qualified service technician before using again.

There are two methods of rolling up the awning if it appears there is no power to the awning motor. The following method should be performed first:

1. When the Power Awning hardware is in the open position and the 12 VDC power has been lost the awning can be closed by supplying auxiliary power to the hardware. Connect the awning motor to an external 12 VDC power source via user-supplied wire (16 gauge minimum). A good external 12 VDC power source would be an automobile battery.

FIG. 5



2. Locate and unplug the motor and hardware cable connection located in the upper part of the right-hand arm.
3. Connect the user-supplied wire leads to the terminals in the connector from the motor. Electrical tape may be required to keep the wire leads in place. (Do not connect to the one in the hardware.)
4. Connect the other end to a 12 VDC battery source. The red wire goes to + and the black to -. If there is not a problem with the awning motor, this will retract the awning. To avoid motor damage disconnect battery source immediately after awning is fully retracted.
5. The awning can be extended by reversing the polarity. Place the red wire on the - and the black wire on the +. Disconnect battery source after awning is fully extended.

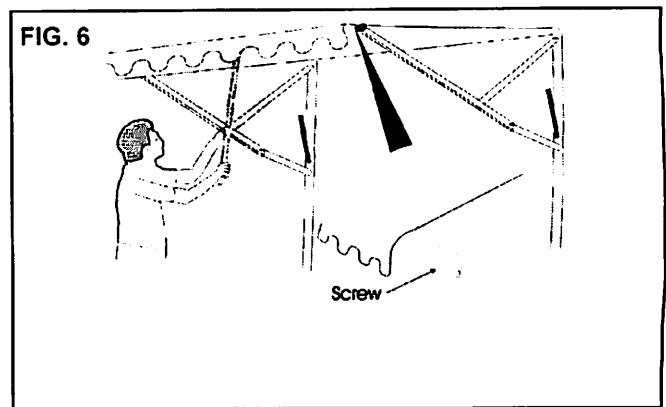
If the awning will not retract after performing the steps listed above, perform the following steps:

1. Slide the pull strap (provided) into the utility slot of the FRTA. FIG. 6
2. While one person is holding onto the pull strap, remove the screw in the top of the right top casting. The FRTA will immediately roll in once the bolt is removed. Walk the awning to the closed position.
3. Align hole where screw was removed and replace screw into top casting to secure awning.

⚠ CAUTION

The screw removed from top of right casting in step 3 to manually rollup awning must be re-installed. This is to prevent awning from opening during travel, personal injury or damage can occur. Have awning serviced by a Dometic Service Center or a qualified service technician before attempting to open awning after this procedure has been performed.

FIG. 6



Power Patio Awning Helpful Hints:

- Whenever the awning is wet while rolled up, as soon as conditions allow, roll it out and let it dry before rolling it up again. This will help prevent the formation of mildew and add greatly to the life of the awning.
- Mildew does not form on the fabric itself, but on the accumulated dust, dirt and grime. Periodically clean vinyl or woven acrylic fabric using a mixture of 1/4 cup of dish soap and 1/4 cup of bleach mixed with 5 gallons of warm water. Liberally slosh the mixture on the top of the fabric and roll the awning up for 5 minutes. This will apply the mixture to the bottom as well. Roll it back out and hose off with fresh water. Repeat if necessary. Allow to dry before rolling up.
- Always make sure the awning is fully extended before opening the entry door.
- Wrinkling is a normal characteristic of the vinyl. This wrinkling may be more noticeable when retracted and after prolonged periods when the awning is not used. This condition is normal. Leaving the awning open in warm weather should minimize the wrinkling over a period of time.

When To Get More Help:

This User's Guide is intended to provide practical instruction for the sequential operation of the Power Patio Awning. If malfunctions occur that cannot be corrected by reviewing this Guide, contact a Dometic Service Center or a qualified service technician for assistance. Do not use awning until service requirements have been completed.



LIMITED TWO-YEAR WARRANTY PATIO AWNINGS

THE SELLER NAMED BELOW MAKES THE FOLLOWING WARRANTY WITH RESPECT TO THE DOMETIC PRODUCT:

1. This warranty is made only to the first purchaser (herein after referred to as the "Original Purchaser") who acquires the product for his own use and is installed and operated within the continental United States and Canada.
2. This warranty will be in effect for two years on parts and freight and two years on labor from the date of purchase by the original purchaser. It is suggested that the original purchaser retain a copy of the dated bill of sale as evidence of the date of purchase.
3. This warranty covers labor and specified parts, which shall be free from defects in material and workmanship under normal use. This warranty does NOT cover conditions unrelated to the material and workmanship of the product. Such unrelated conditions include, but are not limited to: (a) damage not reported within 7 days of ownership; (b) failure or damage caused by storms, rain, water pooling, or any acts of God; (c) faulty installation and any damage resulting from such; (d) the need for normal maintenance and any damage resulting from the failure to provide such maintenance; (e) failure to follow Sellers instructions for use of this product; (f) any accident to or misuse of any part of this product and any alteration by anyone other than the Seller or its authorized representative; (g) damage or failure caused by installation of accessories not manufactured and marketed by the Seller; and (h) normal wear and product abuse.
4. The specified parts covered by this warranty are as follows: (a) Roller tube against rust, corrosion and extrusion defects; (b) Fabric free from quality defects (normal wear is not covered); (c) Torsion assemblies against extrusion defects or breakage; and (d) Hardware against extrusion defects.
5. It is suggested the original purchaser provide preventative maintenance on a yearly basis. The preventative maintenance suggested is: (a) assure proper winding of fabric; (b) cleaning of fabric; (c) inspect and lubricate cam lock lever, lift-lock assembly, and hardware slide areas. The cost of this preventative maintenance is the original purchaser's responsibility and should take about one hour.
6. In order to obtain the benefits of this warranty, the original purchaser must return the product which is found defective to the Seller named below or to a Dometic Authorized Service Center during the period that this warranty is in effect. The original purchaser is responsible for all charges incurred in delivery of the product to the Seller or Dometic Authorized Service Center, and in pick up after the warranty service has been completed. To obtain the location of the nearest Authorized Service Center, please call 1-800-544-4881 or in Canada call 1-519-653-4390.
7. Any item returned in the manner described in paragraph 6 will be examined by the Seller or the Authorized Dometic Service Center. If it is found that the returned item was defective in material and workmanship, the Seller or the Authorized Dometic Service Center will repair the product per the terms outlined in paragraph 4. CONFIRM THE SERVICE AGENCY IS AN AUTHORIZED DOMETIC SERVICE CENTER. DO NOT PAY THE SERVICE AGENCY FOR WARRANTY REPAIRS. SUCH PAYMENTS WILL NOT BE REIMBURSED.
8. The Seller does not authorize any person or company to create any warranty obligations or liability on their behalf. This warranty is not extended by the length of time which you are deprived of the use of the product. Repairs and replacement parts provided under the terms of this warranty shall carry only the non-expired portion of this warranty.
9. In no event shall either seller be liable for incidental or consequential damages. This includes any damage to another product or products resulting from such a defect. Some states do not allow the exclusion or limitation of incidental or consequential damages, so the above limitations may not apply.
10. Any implied warranty, including the implied warranty of merchantability and fitness for any purpose, is limited to the duration of this limited warranty. Some states do not allow limitations on how long an implied warranty can last, so the above limitation may not apply.
11. THIS WARRANTY GIVES SPECIFIC LEGAL RIGHTS, YOU MAY ALSO HAVE OTHER RIGHTS WHICH VARY FROM STATE TO STATE. No action to enforce this warranty shall be commenced later than ninety (90) days after the expiration of the warranty period. Claims must be submitted in writing to the Dometic Warranty Department for arbitration.
12. All products (except those specifically built for commercial use) are warranted only when installed on vehicles built to R.V.I.A. A119-2 and C.R.V.A. Z-240 Standards.
13. The Seller reserves the right to change the design of any product without notice and with no obligation to make corresponding changes in products previously manufactured.

Dometic, LLC
Warranty Department
2320 Industrial Parkway
Elkhart, Indiana 46516
Phone: 574-294-2511
Fax: 574-389-3975