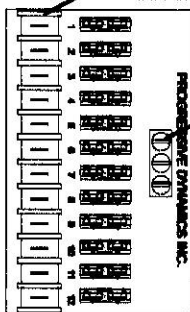


**DC DISTRIBUTION**

**COPPER WIRE ONLY RATED 90° C MIN.  
MAXIMUM PANEL CURRENT 120 AMPS.**

OUTPUT TO BRANCH CIRCUITS.  
MAXIMUM TORQUE 10 IN-LB ON  
TERMINAL BLOCK (IF APPLICABLE)



INPUT FROM CONVERTER  
AND BATTERY  
WIRE SIZE 4 - 14 AWG  
Torque to 35 in-lb. Max.

MAXIMUM FUSE SIZE 30 AMP  
POSITIONS 1,4,8,12 ONLY  
REMAINING FUSES  
20 AMP MAX.

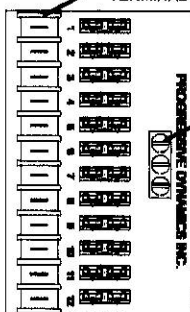
REPLACE FUSE WITH LITTLE FUSE  
TYPE 267 OR EQUIVALENT

811491RB

**DC DISTRIBUTION**

**COPPER WIRE ONLY RATED 90° C MIN.  
MAXIMUM PANEL CURRENT 120 AMPS.**

OUTPUT TO BRANCH CIRCUITS.  
MAXIMUM TORQUE 10 IN-LB ON  
TERMINAL BLOCK (IF APPLICABLE)



INPUT FROM CONVERTER  
AND BATTERY  
WIRE SIZE 4 - 14 AWG  
Torque to 35 in-lb. Max.

MAXIMUM FUSE SIZE 20 AMPS

REPLACE FUSE WITH LITTLE FUSE  
TYPE 267 OR EQUIVALENT

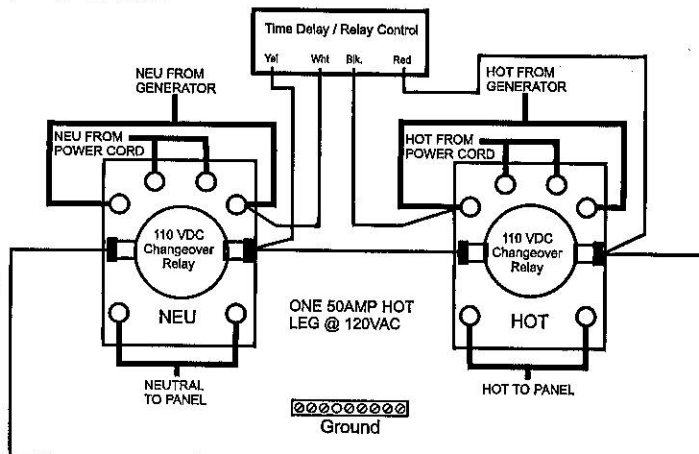
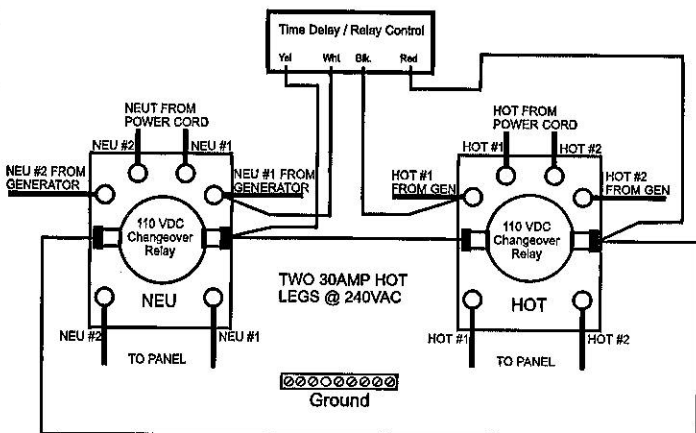
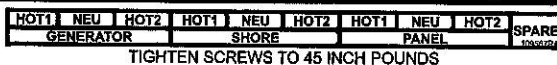
811491RB



PROGRESSIVE DYNAMICS, INC.  
MARSHALL, MI

**Model PD5120 Series  
Generator Transfer Relay  
TYPE 1**

**MAXIMUM SERVICE**  
120/240V 60Hz 1 Phase  
30A/Pole @ 240 Volts 4 Pole  
50A/Pole @ 120 Volts 2 Pole  
TIME DELAY 20 - 30 Seconds  
**GENERAL LOADS**



**WARNING**

MULTIPLE 120/240 VOLT POWER SOURCES, ALL SOURCES MUST BE SECURED OFF BEFORE SERVICING. REFER SERVICE TO A QUALIFIED ELECTRICIAN

**NOTE**

120/240 VOLT TRANSFER RELAYS MAY NOT OPERATE IF POWER IS LOST ON ONE HOT LEG WHEN RUNNING ON 240 VOLTS.



Use copper wire only  
75° C. minimum.