

# RECREATIONAL VEHICLE RANGE AND COOKTOPS



LISTED

## INSTALLATION, OPERATION AND SERVICE MANUAL

For

All SRNA3 and SRSA3 Model Variations  
(Short and Long Oven)

All SCNA3 and SCSA3 Slide-In Cooktop Model Variations



### FOR YOUR SAFETY

**WARNING!** IMPROPER INSTALLATION, ADJUSTMENT, ALTERATION, SERVICE OR MAINTENANCE CAN CAUSE PROPERTY DAMAGE, PERSONAL INJURY OR LOSS OF LIFE. REFER TO THE INSTALLATION INSTRUCTIONS AND/OR OWNERS MANUAL PROVIDED WITH THIS APPLIANCE. INSTALLATION AND SERVICE MUST BE PERFORMED BY A QUALIFIED INSTALLER, SERVICE AGENCY OR THE GAS SUPPLIER.

DO NOT STORE OR USE GASOLINE OR OTHER FLAMMABLE VAPORS AND LIQUIDS IN THE VICINITY OF THIS OR ANY OTHER APPLIANCE.

### WHAT TO DO IF YOU SMELL GAS

- DO NOT TRY TO LIGHT ANY APPLIANCE. EXTINGUISH ANY OPEN FLAME INCLUDING CIGARETTES.
- EVACUATE ALL PERSONS FROM THE VEHICLE.
- DO NOT START THE VEHICLE'S ENGINE OR ELECTRIC GENERATOR.
- DO NOT TOUCH ANY ELECTRICAL SWITCH (INCLUDING LIGHTS) OR USE ANY PHONE OR RADIO IN THE VEHICLE.
- SHUT OFF THE GAS SUPPLY AT THE GAS CONTAINER (BOTTLE) OR SOURCE.
- IMMEDIATELY CALL YOUR GAS SUPPLIER FROM A NEIGHBOR'S PHONE. FOLLOW THE GAS SUPPLIER'S INSTRUCTIONS.
- IF YOU CANNOT REACH YOUR GAS SUPPLIER, CALL THE FIRE DEPARTMENT.
- DO NOT TURN ON THE GAS SUPPLY UNTIL THE GAS LEAK(S) HAVE BEEN REPAIRED.

### IMPORTANT:

INSTALLER: PROVIDE THIS MANUAL TO THE OWNER/USER OF THE RECREATIONAL VEHICLE.

OWNER: RETAIN THESE INSTRUCTIONS AND WARRANTY FOR FUTURE REFERENCE.

READ THIS MANUAL CAREFULLY BEFORE OPERATING APPLIANCE.

FOLLOW ALL SAFETY NOTICES AND WARNINGS.

ALL TECHNICAL AND WARRANTY QUESTIONS SHOULD BE DIRECTED TO THE COMPANY LISTED ON THE WARRANTY, OR RATING PLATE LOCATED UNDERNEATH THE MAIN TOP.



**Suburban**  
Manufacturing Company

a subsidiary of AIRXCEL, Inc.

SUBURBAN MANUFACTURING COMPANY  
676 Broadway Street  
Dayton, Tennessee 37321  
423-775-2131  
FAX: 423-775-7015

# INTRODUCTION

1. These units are certified by Underwriters Laboratories (UL) for the U.S.A. and Canada.
2. The complete model, serial number and stock number are located on the UL label located under the top (Figure 1). This information will be needed when servicing appliance or ordering parts. Record the information below and retain for future reference. Replacement parts can be ordered through your local dealer or Suburban Service Center.

To obtain information on locating a local service agency, call Suburban Manufacturing Company, Customer Service Department, 423-775-2131 or Fax: 423-775-7015.

Model No. \_\_\_\_\_ Stock No. \_\_\_\_\_

Serial No. \_\_\_\_\_ Date of Purchase \_\_\_\_\_

3. These units are designed certified for use with LP/Propane gas only. **Do not attempt to convert to natural gas.**
4. Gas supply pressure for checking of the regulator setting shall be at least 1" W.C. above the suggested manifold pressure.  
 Minimum Gas Supply Pressure - 11" W.C.  
 Maximum Gas Supply Pressure - 14 " W.C.

# INSTALLATION

**WARNING! Installation of this appliance must be made in accordance with the written instructions provided in this manual. No agent, representative or employee of Suburban or other person has the authority to change, modify or waive any provision of the instructions contained in this manual.**

1. In the U.S.A., the installation must conform with state or other codes or in the absence of such codes, refer to the latest edition of:
  - a. Standard for Recreational Vehicles ANSI A119.2/AFPA 501C
  - b. National Fuel Gas Code ANSI Z223.1
- In Canada, the installation must be in accordance with:
  - a. Standard CAN/CSA Z-240.4.2-M86, Installation Requirements for Propane Appliances and Equipment in Recreational Vehicles.
  - b. Any applicable local codes and regulations
2. Minimum clearances from combustible walls above and below counter: (See Figure 1A)

| Models         | Below Counter          | Center of Burner Head(s) to adjacent vertical combustible material above the cooking surface burners. |               |          |
|----------------|------------------------|---|---------------|----------|
|                | Sides, Rear and Bottom | Right Sidewall  | Left Sidewall | Backwall |
| SCNA3<br>SCSA3 | 0"                     | 6"  | 6"            | 9"       |
| SRNA3<br>SRSA3 | 0"                     | 6"  | 6"            | 9"       |

3. Cut-out dimensions illustrated in Figure 2 are as follows:

| Models           | Dimensions |         |    |         |      |
|------------------|------------|---------|----|---------|------|
|                  | A          | B       | C  | D       | E    |
| SRNA3S<br>SRSA3S | 18 5/8"    | 16"     | 2" | 20 5/8" | 7/8" |
| SRNA3L<br>SRSA3L | 18 5/8"    | 21 3/4" | 2" | 20 5/8" | 7/8" |
| SCNA3<br>SCSA3   | 18 5/8"    | 3 5/8"  | 2" | 20 5/8" | 7/8" |

**The minimum vertical distance to combustible material above the range cooking top is 24 inches, provided the overhead construction does not extend 13 inches from the rear wall.**

NOTE: UL and cUL certified with a minimum top clearance of 19 1/2" to overhead combustible construction when installed with a range hood spaced a minimum of 1/4" from the construction.

4. Ensure the cabinets are properly constructed. The cabinets must be squared with respect to the counter top and the cabinet face. For proper operation of these units, the cabinet must be level and the bottom of the range must be supported.
5. After the cabinet has been prepared per the dimensions given and the gas connection is in place, remove main top and position the unit in the cabinet opening. NOTE: Be sure all opening in the cabinetry around the gas lines are sealed at the time of installation.

**WARNING: It is imperative that the cabinet in which the unit is placed be separated from other appliances so that the combustion air supply to the top burners can not be affected in any way by any forced-air heating appliance or its return air system or by any source of positive or negative air pressure, such as, but not limited to, power vents, fans, etc. A negative air pressure created by another forced air moving appliance may draw the flame down around the top burners and into the main top resulting in damage to the burners and cooktop, as well as possible personal injury and/or damage to vehicle. A positive draft could cause the burner flame to lift-off the burner and go out resulting in an uncontrolled escape of gas. Whenever the gas fumes reach an open flame or another ignition source, an explosion and/or fire will occur resulting in property damage, personal injury and/or loss of life.**

6. Fasten unit in place with wood screws through holes provided in side flanges of burner box and front frame bottom tabs with a minimum of six screws.

7. Be sure burner knobs are in "off" position. Secure gas connection and turn on gas supply. Check all connections for leaks using soapy-water solution or a non-corrosive leak detection solution. Do not use a soapy-water solution containing ammonia.

**CAUTION: Gas supply tubing within the confines of the appliance connection shall be rigid or semi-rigid metallic tubing.**

**WARNING: Never check for leaks with an open flame or any ignition source for this purpose.**

NOTE: The appliance must be disconnected from the gas supply piping system during any pressure testing of that system at test pressure in excess of 1/2 PSIG.

The appliance must be isolated from the gas supply piping during any pressure testing of the gas supply piping system at test pressure equal to, or less than, 1/2 PSIG.

8. Replace main top.

9. Your unit is now ready for operation. Before operating, read the safety information and operating instructions contained in the manual.

## SAFETY INFORMATION

**WARNING! If the user of this appliance fails to maintain it in the condition in which it was shipped from the factory or if the appliance is not used solely for its intended purpose or if appliance is not maintained in accordance with the instructions in this manual, then the risk of a fire and/or the production of carbon monoxide exists which can cause personal injury, property damage or loss of life.**

Listed below are some very important facts that you should follow. They are listed for your protection and safety.

1. Never attempt to repair the appliance yourself. Any repairs to or installation of this appliance must be performed by a qualified installer, service agency or the gas supplier and in accordance with the instructions in this manual. Service of your appliance by a non-approved service person or agency could result in failure of the integrity of the appliance and could lead to property damage, serious injury or loss of life.

2. Have your dealer show you where the main gas shut-off valve is located and how to shut it off in an emergency.

3. Use your range/cooktop only for its intended use.

**WARNING! Never use this appliance as a space heater to heat or warm the room. Doing so may result in carbon monoxide poisoning and overheating of the oven.**

4. If the range/cooktop is near a window, proper precautions should be taken to prevent curtains from blowing over burners creating a fire hazard.

5. Keep the area around the cooktop clean and clear of any combustible materials, gasoline or other flammable vapors and liquids. Not doing so can cause an explosion and/or fire.

6. Do not leave children alone or unsupervised in area where range/cooktop is being used. The top burners, burner grates and other areas near the burners become hot enough to cause severe burns.

7. Children should be taught that the range/cooktop is not a toy. They should not be allowed to play with the controls or any other parts of the appliance. Do not allow anyone to stand or sit on top of the range. Not only can this damage the range, but personal injuries could result.

8. Do not store items of interest to children in cabinets above or near the appliance. Children climbing on the appliance to reach items could be seriously injured.

9. Do not wear loose fitting clothing or long-hanging sleeved clothing while using the appliance. If they contact the open flame of the burner, they could ignite and cause severe burns.

10. Use only dry potholders to remove hot utensils. Using damp potholders on hot surfaces could result in burns to hands. Do not use a towel or bulky cloth for a pot holder. The cloth could contact open flame and catch fire.

11. Never heat an unopened container. Pressure build-up within the container can cause it to explode.

12. Keep appliance clean. The build-up of grease and food boil-over and/or spillage can create a fire hazard.

13. Avoid using your range/cooktop or any other appliance if you smell gas. Do not assume that the smell of gas in your RV is normal. Any time you detect the odor of gas, it is to be considered life threatening and corrected immediately. Extinguish any open flames including cigarettes and evacuate all persons from the vehicle. Shut off gas supply at LP gas bottle. (See safety notice on front cover of this manual.)

14. Turn pan handles inward or toward back of cooktop and out of the way of people walking past cooktop and/or out of the reach of children. Do not turn handles to where they are over the burners.

15. Do not use water on grease fires. Never pick-up a flaming pan. Smother a flaming pan with a lid or flat pan. Flaming grease outside the pan can be extinguished with baking soda or a multipurpose dry chemical fire extinguisher.

16. Do not use the oven as a storage area.

17. Do not cover the oven vent openings whenever oven is being used. See Figure 4. Covering the vents restricts the flow of combustion air to the oven burner and could cause poor combustion and the formation of carbon monoxide.

**WARNING! NEVER cover any slots, holes or passages in the oven bottom or cover an entire rack with materials such as aluminum foil. Doing so blocks airflow through the oven and may cause carbon monoxide poisoning. Aluminum foil linings may also trap heat, causing a fire hazard.**

18. Never leave top burner(s) unattended.

- For such reasons as down drafts that could be created by opening and closing of cabinet doors or doors within the RV or by positive or negative air pressures affecting burners due to improper installation. (See paragraph 6 under Installation.) The burner could extinguish resulting in gas escaping into the RV. Remember, gas flow to each burner is controlled manually, you must turn gas flow "ON" and "OFF".
- A boil over could occur and the spill could ignite.

19. Flame size

- Never extend the flame beyond the outer edge of the utensil. A higher flame simply wastes heat and energy.
- Correct flame size is determined by utensil size and material, what you are cooking and whether or not you are cooking with liquid.


20. To prevent damage to the cook top, top burners, or top grate, never operate a top burner without a pan in place. The top burners, especially the high input burner, should not be operated on high for an extended period of time. The high setting should be used only to start the food cooking or to bring liquids to a boil, then reduce the flame to a lower setting to continue cooking. Use the low flame setting to keep food warm. Remember, a gas range heats quicker than an electric range; therefore, experiment with various settings until you feel comfortable cooking with gas.

Never use cookware which extends beyond one inch of the grate (maximum pan size 10" diameter). Never place cooking utensil on grate to where it rests over two operating top burners. This will cause excessive heat buildup, which results in damage to the grate, top burner(s) and cook top.


## OPERATING INSTRUCTIONS


### A. TOP BURNERS

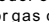
1. Know which knob controls which burner. Always be sure the correct burner is turned on.


2. Depress knob and turn fully counter-clockwise  to "Lite" position.

- Verify sufficient gas supply before attempting to light the burner. Air in the gas line will significantly delay burner ignition. The burner may light unexpectedly as the air in the line clears and is replaced by LP gas. This unexpected ignition could burn you. Air in the gas lines may occur after the vehicle gas bottle and/or tank is refilled, during and after servicing other appliances on same gas line, etc.
- Do not attempt to light more than one burner at a time.**
- Immediately light burner on those models ending with "M" (example: SRNA3LWBM; SRSA3SWBM) hold a long match near the burner ports. **CAUTION: Hand held ignitors may be used but be sure they are the type designed for lighting open flame burners.**

If your model ends with "E" (example: SRNA3LWBE/ SRSA3SWBE), the burner can be lit by rotating piezo knob clockwise  rapidly. This produces a spark at the burner which ignites the gas.

3. If any burner should extinguish after initial lighting or due to accidental blow-out, turn gas off by turning control knob clockwise  to "OFF", wait five (5) minutes before attempting to relight the burner. Failure to follow these instructions could result in a fire or explosion.

If the burner should go out while cooking, or if there is an odor of gas, turn control knob(s) clockwise  to "OFF". Wait five (5) minutes for gas odor to disappear. If gas odor is still present - do not relight burners. See "What To Do If You Smell Gas" on the front cover of this manual.



4. To turn burner(s) "OFF", turn the appropriate control knob clockwise  to "OFF".

**WARNING! Be sure all control knobs are turned "OFF" when you are not cooking. Someone could be burned or a fire could start if a burner is accidentally left on or unattended even if only momentarily.**

## B. OVEN BURNER

NOTE: Before the oven burner will operate, the oven pilot must be lit.

- Lighting Oven Pilot
  - Be sure **ALL** valves are in the "OFF" position. The oven control knob should be in the "OFF" position.
  - Be sure main gas supply is on.
  - Open oven door; smell for gas - If you smell gas **STOP!** Read and follow the instructions on front of your manual.
  - If you do not smell gas, turn knob to the pilot position, "Push In/Lite Pilot".
  - Immediately light pilot with a match. Hold knob in at least 5 to 7 seconds for this allows gas to flow to pilot and to heat thermocouple. Release knob, pilot should stay on. **Note:** If the appliance has not been operated for a long period of time, a longer waiting period for ignition of the pilot may be due to air in the pilot and gas lines. If pilot goes out, repeat steps a, b, c, d.

- Operation of Oven Burner
  - Turn the oven control knob counter-clockwise  to the desired setting. Oven burner will come on immediately and the oven burner will stay on until it reaches the desired setting. Then the oven burner flame will decrease in size. This is normal for this type of thermostat and this flame size will maintain a constant temperature within the oven. **NOTE: Oven thermostat was calibrated at the factory and is not field adjustable.**
  - For broiling, a 2-piece porcelain broiler pan can be purchased from Suburban:
    - Center the broiler pan underneath the oven burner flame.
    - Turn the food over frequently to ensure even browning.
- To Shut Down Oven Burner  
Turn oven control knob clockwise  to "Pilot On" position. At this position, the oven pilot will remain lit.
- To Shut Down Oven Pilot  
Slightly depress knob and turn to "OFF". At this position, the oven pilot will go out.

**CAUTION: When the recreational vehicle is not in use or while traveling, it is recommended that the gas supply also be turned off.**

## MAINTENANCE

- Make sure all controls are "OFF" and the range cooktop and oven are cool before cleaning.
- Make sure that all cooktop surfaces, burner grates and burners are cool before cleaning or disassembling cooktop.
- Do not use oven cleaners, bleach or rust removers on the cooktop or burner grates.
- Clean all surfaces as soon as possible after boil overs or spillovers.
- Use warm soapy water only to clean the burner grates, cooktops, painted surfaces, porcelain surfaces, stainless steel surfaces and plastic items on your range. Do not use grit or acid-type cleaners. Do not use cleaners with ammonia. Cleaners of these types are corrosive and could damage component parts in the range.
- Do not use steel wool or abrasive cleaners. They will damage the cooktop and oven finish. Use only non-abrasive plastic scrubbing pads.
- Do not allow foods containing acids (such as lemon or tomato juice, or vinegar) to remain on porcelain or painted surfaces. Acids may remove the glossy finish.
- Do not wash warm porcelain surfaces. Allow these areas to cool before cleaning. You could burn yourself or the porcelain could crack.
- Pitting and discoloration will result if spills are allowed to remain for any length of time on stainless steel.
- Do not allow spillovers to remain on the burner caps. The caps could be permanently stained if spillovers are not cleaned up promptly.
- If any of the burner ports or the orifice are clogged, carefully clean with a small wire or needle. Be sure not to enlarge ports. Never use a wire brush for cleaning burner ports or orifice. Never use any brush which may "shed" bristles, which may become lodged in the orifice or burner ports and cause a fire or explosion.

### TO REMOVE THE WIRE GRATE AND MAIN TOP FOR SERVICE AND CLEANING

- Remove the wire grate by raising straight up. Use caution not to dislodge the grommets in the top (one at each corner).
- Grasp top in the center and raise front up approximately 3". If your unit has sealed burners, disconnect the piezo wire at each burner.
- Slide top forward off the two spring clips at rear of top. Lift up top.

### TO REINSTALL

- Reconnect piezo wires to each burner if they were removed.
- Align slots in rear flange of top with the tabs on the spring clips. Push top in and press front of top down until the spring clip snaps into place.
- Reinstall wire grate by aligning the four (4) legs on the wire grate with the four (4) grommets in the top. Press wire grate down into each grommet, being careful not to dislodge the grommets.

### OVEN DOOR

Do not place excessive weight on an open oven door or stand on an open oven door as, in some cases, it could cause the range to tip over, break or damage the door to the extent that the range would be unsafe to use, or cause serious injury to the user.

When opening the oven door, allow steam and hot air to escape before reaching in oven to check, add or remove food.

### OVEN RACK

Your RV range features one oven rack with a choice of two or three rack positions. The oven rack is designed with a safety lock-stop position to keep the rack from accidentally coming completely out of the oven when pulling the rack out to add or remove food. The rack also features two tabs to keep the rack from rattling during travel. See Figure 6.

**CAUTION: Do not attempt to change the rack position when the oven is hot.**

To Remove: Be sure the rack is cool. Pull the rack straight out until it stops. This releases the two tabs on the sides of the rack. Lift the front end of the rack up, then pull and remove from the oven.

To Replace: Place the oven rack in the oven on top of the rack supports. Slide the rack to the stop position and lift upward then, as you push the rack back past the two tabs, it will anchor the rack into place and prevent it from rattling during transit.

### OVEN BOTTOM

When baking, use an adequate size cooking utensil to avoid boil overs or spillovers.

Never place cooking utensils or aluminum foil directly on the oven bottom. This will restrict the openings in the oven bottom, reducing the air circulation inside the oven which will cause uneven baking, food may burn or be undercooked.

To Remove: When cool, remove the oven rack. Remove the one (1) screw and nut that secures the oven burner assembly to the oven bottom (A Figure 7). Remove the four (4) screws that secure oven bottom to the oven sides and back (B Figure 7). Hold oven bottom and slide it out of the oven.

To Replace: Position oven bottom rear flange to align with the two holes in back of the oven. Secure with (2) screws. Secure oven bottom to oven sides with the two (2) screws (see B Figure 7).

Secure oven burner assembly to oven bottom with screw and nut.

# **LIMITED WARRANTY**

## **SUBURBAN RECREATIONAL VEHICLE COOKING APPLIANCE**

### **TWO YEAR LIMITED WARRANTY**

This Suburban product is warranted to the original purchaser to be free from defects in material and workmanship under normal use and maintenance for a period of two years from date of purchase whether or not actual use begins on that date. All porcelain parts, including top burner grates, are warranted as commercially acceptable only as of the date the product was manufactured. It is the responsibility of the consumer/owner to establish the warranty period. Suburban does not use warranty registration cards for its standard warranty. You are required to furnish proof of purchase date through a Bill of Sale or other payment records.

Suburban will replace any parts that are found defective within the first two years and will pay a warranty service allowance directly to the recommended Suburban Service Center at rates mutually agreed upon between Suburban and its recommended service centers. Replacement parts will be shipped FOB the shipping point within the Continental United States, Alaska and Canada to the recommended service center performing such repairs. All freight, shipping and delivery costs shall be the responsibility of the owner. The exchanged part or unit will be warranted for only the unexpired portion of the original warranty. Before having warranty repairs made, confirm that the service agency is a recommended service center for Suburban. DO NOT PAY THE SERVICE AGENCY FOR WARRANTY REPAIRS; SUCH PAYMENTS WILL NOT BE REIMBURSED.

Suburban reserves the right to examine the alleged defect in the range appliance or component parts, and it is the owner's obligation to return the range appliance and/or component parts to Suburban or its representative. When returning a range appliance, it must include all component parts and the serial number plate. Returned component parts must be individually tagged and identified with the range appliance's model number, serial number and date of installation.

For warranty service, the owner/user should contact the nearest recommended Suburban Service Center, advising them of the model and serial numbers (located underneath the main top) and the nature of the defect. Transportation of the RV to and from the Service Center and/or travel expenses of the Service Center to your location is the responsibility of the owner/user. A current listing of recommended service center may be obtained from Suburban's website: [www.rvcomfort.com](http://www.rvcomfort.com). If you cannot locate a recommended service center locally, the service agency chosen to perform warranty repairs must contact our Service Department at 423-775-2131 for authorization before making repairs. Unauthorized repairs made will not be paid by Suburban.

### **LIMITATION OF WARRANTIES**

ALL IMPLIED WARRANTIES (INCLUDING IMPLIED WARRANTIES OF MERCHANTABILITY) ARE HEREBY LIMITED IN DURATION TO THE PERIOD FOR WHICH EACH LIMITED WARRANTY IS GIVEN. SOME STATES DO NOT ALLOW LIMITATIONS ON HOW LONG AN IMPLIED WARRANTY LASTS SO THE ABOVE LIMITATIONS MAY NOT APPLY TO YOU. THE EXPRESSED WARRANTIES MADE IN THIS WARRANTY ARE EXCLUSIVE AND MAY NOT BE ALTERED, ENLARGED, OR CHANGED BY ANY DISTRIBUTOR, DEALER OR OTHER PERSON WHOMSOEVER.

### **SUBURBAN WILL NOT BE RESPONSIBLE FOR:**

1. Normal maintenance as outlined in the installation, operating and service instructions owner's manual including cleaning of component parts and cleaning or replacement of the burner orifice.
2. Initial checkouts and subsequent checkouts which indicate the range appliance is operating properly, or diagnosis without repair.
3. Damage or repairs required as a consequence of faulty or incorrect installation or application not in conformance with Suburban instructions.
4. ANY DAMAGE (CRACKS, CHIPS, SCRATCHES, ETC.) TO ANY PAINTED OR PORCELAIN ENAMEL PARTS.
5. Failure to operate due to loose or disconnected wires; water or dirt in controls, fuel lines and gas tanks; improper gas pressure; low voltage.
6. Cleaning or adjustment of components; electrode, burner tube, pilot and thermocouple.
7. Costs incurred in gaining access to the range appliance.
8. Parts or accessories not supplied by Suburban.
9. Freight charges incurred from parts replacements.
10. Damage or repairs needed as a consequence of any misapplication, abuse, unreasonable use, unauthorized alteration, improper service, improper operation or failure to provide reasonable and necessary maintenance.
11. Suburban products whose serial number has been altered, defaced or removed.
12. Suburban products installed or warranty claims originating outside the Continental U.S.A., Alaska, Hawaii and Canada.
13. Damage as a result of floods, winds, lightning, accidents, corrosive atmosphere or other conditions beyond the control of Suburban.
14. ANY SPECIAL, INDIRECT OR CONSEQUENTIAL PROPERTY, ECONOMIC OR COMMERCIAL DAMAGE OF ANY NATURE WHATSOEVER. Some states do not allow the exclusion of incidental or consequential damages, so the above limitation may not apply to you.

NO REPRESENTATIVE, DEALER, RECOMMENDED SERVICE CENTER OR OTHER PERSON IS AUTHORIZED TO ASSUME FOR SUBURBAN MANUFACTURING COMPANY ANY ADDITIONAL, DIFFERENT OR OTHER LIABILITY IN CONNECTION WITH THE SALE OF THIS SUBURBAN PRODUCT.

This warranty gives you specific legal rights, and you may also have other rights which vary from state to state.

### **IF YOU HAVE A PRODUCT PROBLEM**

#### **FIRST:**

If your RV has its original range appliance and is still under the RV manufacturer's warranty, follow the steps suggested by your dealer or manufacturer of the RV.

#### **SECOND:**

Contact a conveniently located recommended Suburban Service Center. Describe to them the nature of your problem, make an appointment, if necessary, and provide for delivery of your RV to the selected service center.

#### **THIRD:**

To obtain information on locating a local service agency, contact:

Suburban Manufacturing Company  
Customer Service Department  
676 Broadway Street  
Dayton, Tennessee 37321  
(423) 775-2131, Ext. 1  
[www.rvcomfort.com](http://www.rvcomfort.com)

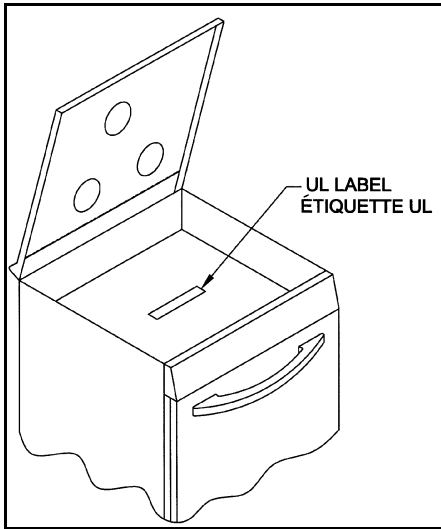


Figure 1

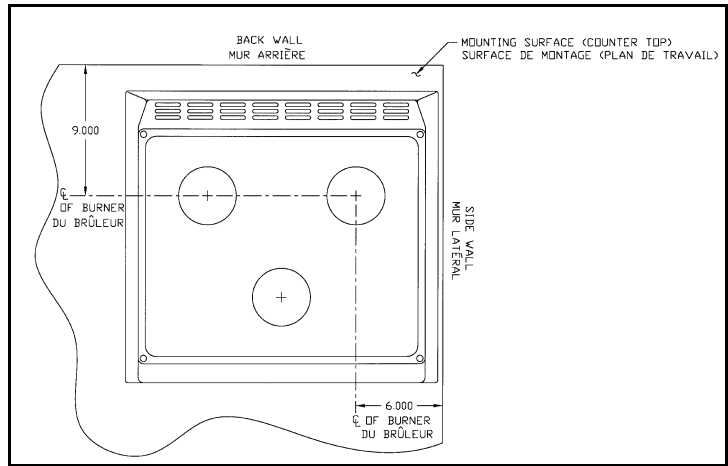


Figure 1A

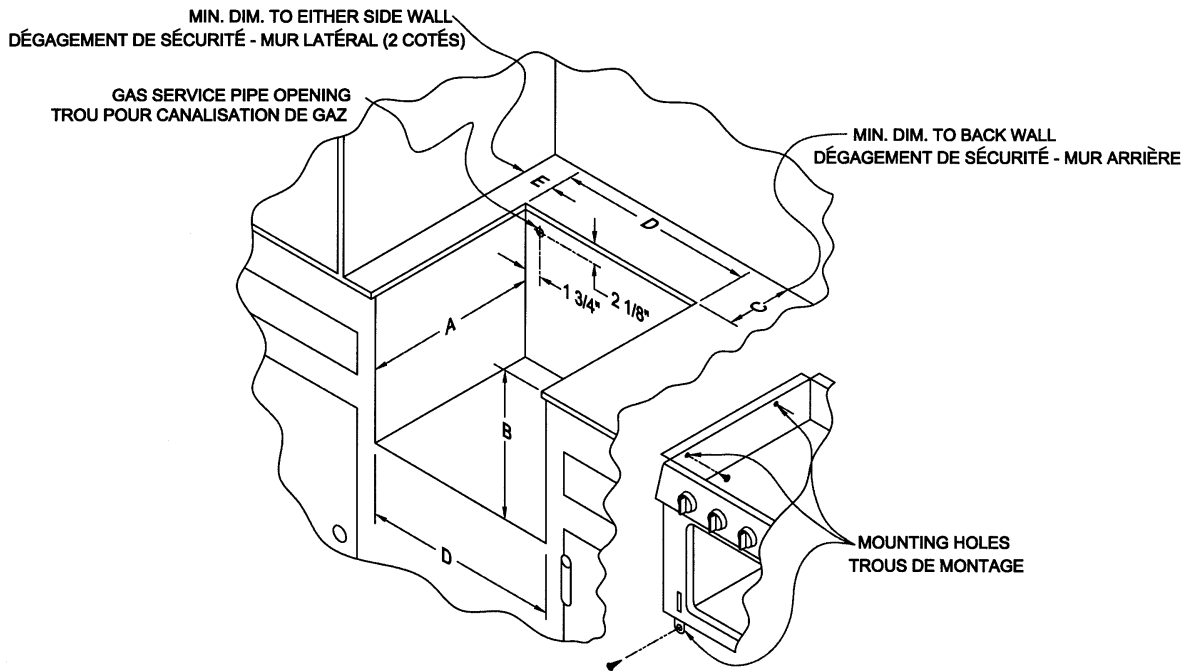


Figure 2

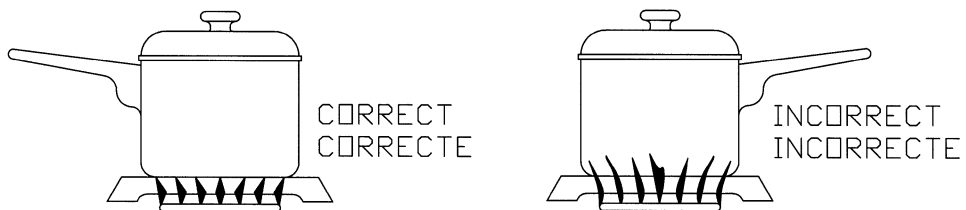


Figure 3

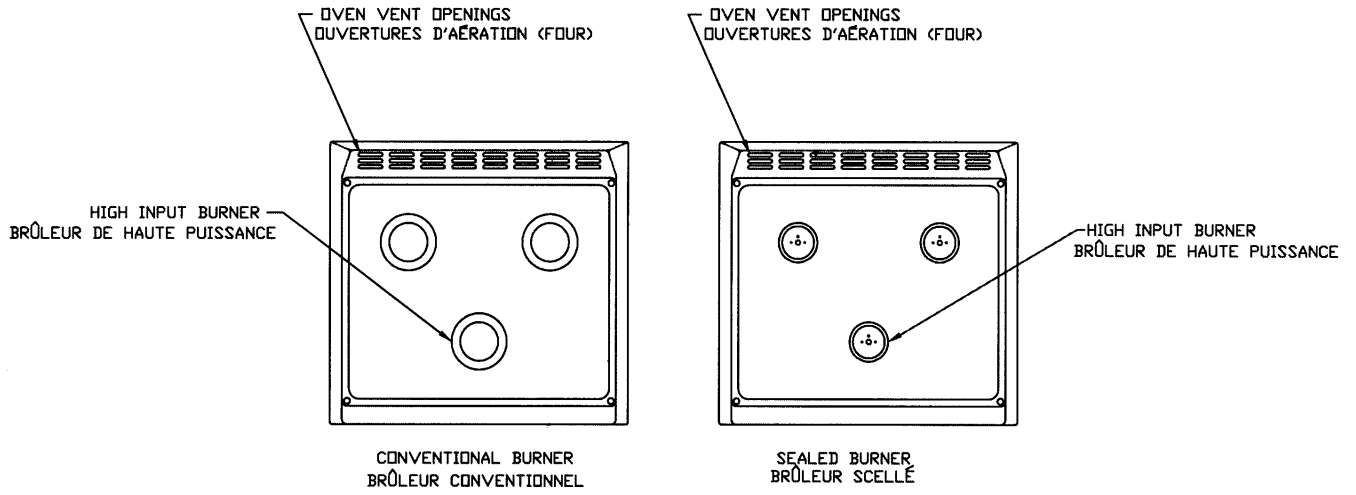


Figure 4

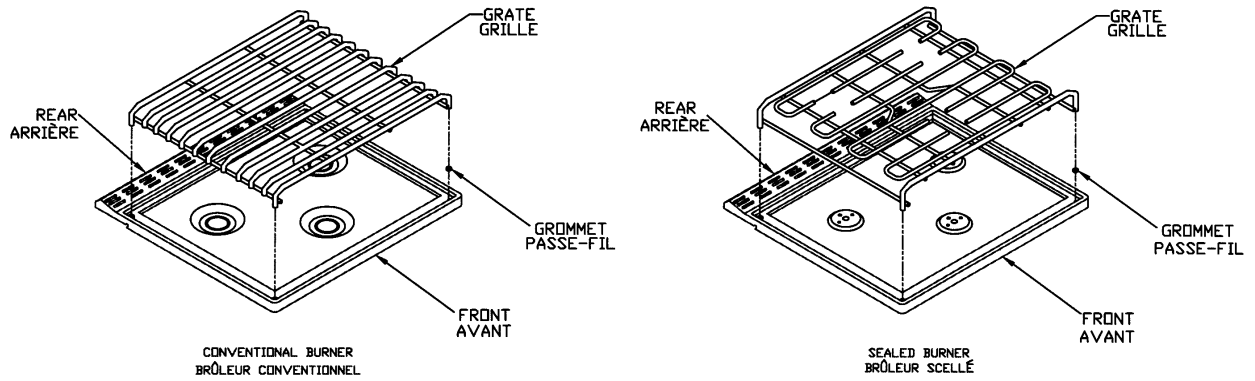


Figure 5

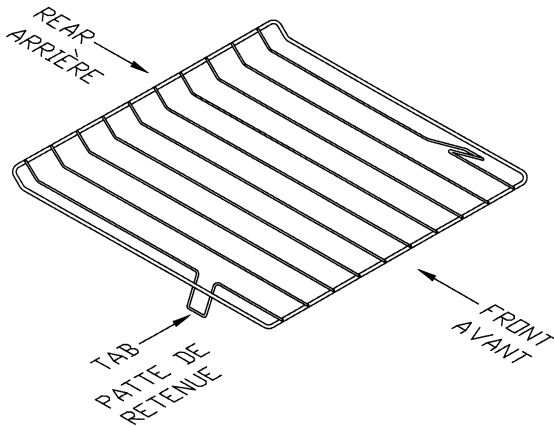


Figure 6

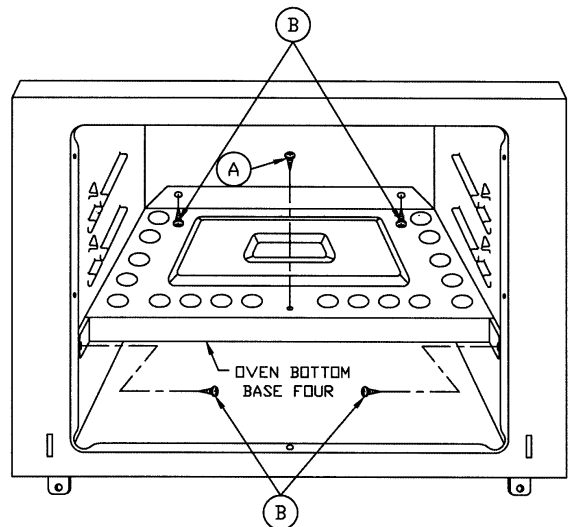


Figure 7

# CUISINIÈRES ET TABLES DE CUISSON POUR VÉHICULE RÉCRÉATIF



LISTED

## MANUEL D'INSTALLATION, UTILISATION ET ENTRETIEN

Pour toutes les variantes du modèle SRNA3/SRSA3  
(fours courts et longs)



Toutes les variantes de table de cuisson à insérer - modèle SCNA3/SCSA3

### POUR VOTRE SÉCURITÉ

**AVERTISSEMENT:** DES MODIFICATIONS OU DES CARENCES DANS L'INSTALLATION, LES RÉGLAGES OU L'ENTRETIEN DE L'ÉQUIPEMENT PEUVENT ÊTRE LA CAUSE DE DOMMAGES MATÉRIELS OU CORPORELS, OU MÊME D'UN ACCIDENT MORTEL. CONSULTER LES INSTRUCTIONS D'INSTALLATION ET/OU LE MANUEL DE L'UTILISATEUR FOURNI AVEC CET APPAREIL. LES OPÉRATIONS D'INSTALLATION ET D'ENTRETIEN DOIVENT ÊTRE EXÉCUTÉES PAR UN INSTALLATEUR QUALIFIÉ OU LE PERSONNEL D'UNE AGENCE D'ENTRETIEN OU DU FOURNISSEUR DE GAZ.

NE PAS REMISER OU UTILISER AU VOISINAGE DE CET APPAREIL OU D'UN AUTRE APPAREIL MÉNAGER DE L'ESSENCE OU TOUT AUTRE PRODUIT GAZEUX OU LIQUIDE SUSCEPTIBLE DE S'ENFLAMMER.

### QUE FAIRE SI UNE ODEUR DE GAZ EST PERCEPTIBLE

- NE PAS ESSAYER DE METTRE EN MARCHÉ UN APPAREIL QUELCONQUE. ÉTEINDRE TOUTE FLAMME NUE, Y COMPRIS LES CIGARETTES.
- FAIRE SORTIR DU VÉHICULE TOUTE PERSONNE QUI S'Y TROUVE.
- NE PAS METTRE EN MARCHÉ LE MOTEUR DU VÉHICULE OU UN GÉNÉRATEUR ÉLECTRIQUE.
- NE TOUCHER AUCUN COMMUTATEUR ÉLECTRIQUE (Y COMPRIS POUR L'ÉCLAIRAGE) ET NE PAS UTILISER UN APPAREIL TÉLÉPHONIQUE OU DE RADIO DANS LE VÉHICULE.
- FERMER LE ROBINET DE GAZ (BOUEILLE DE GAZ), OU LA SOURCE D'ALIMENTATION.
- CONTACTER IMMÉDIATEMENT LE FOURNISSEUR DE GAZ À PARTIR DU TÉLÉPHONE D'UN VOISIN. EXÉCUTER LES INSTRUCTIONS DU FOURNISSEUR DU GAZ.
- S'IL N'EST PAS POSSIBLE DE CONTACTER LE FOURNISSEUR DE GAZ, CONTACTER LES POMPIERS.
- NE PAS RÉTABLIR L'ALIMENTATION EN GAZ AVANT QUE TOUTE FUITE DE GAZ AIT ÉTÉ ÉLIMINÉE.

### IMPORTANT

INSTALLATEUR: REMETTRE CE MANUEL AU PROPRIÉTAIRE/UTILISATEUR DU VÉHICULE RÉCRÉATIF.

PROPRIÉTAIRE: CONSERVER CES INSTRUCTIONS ET LE DOCUMENT DE GARANTIE POUR RÉFÉRENCE.

LIRE ATTENTIVEMENT CE MANUEL AVANT D'UTILISER L'APPAREIL. RESPECTER TOUS LES AVERTISSEMENTS ET MISES EN GARDE CONCERNANT LA SÉCURITÉ.

COMMUNIQUER TOUTE QUESTION TECHNIQUE OU CONCERNANT LA GARANTIE À LA COMPAGNIE IDENTIFIÉE DANS LE TEXTE DE LA GARANTIE OU SUR LA PLAQUE SIGNALÉTIQUE SITUÉE AU FOND DE LA TABLE DE CUISSON.



# INTRODUCTION

- Ces appareils sont homologués par Underwriters Laboratories (UL) pour utilisation aux É.-U. et au Canada.
- On trouve sur l'étiquette UL (au fond de la table de cuisson) le numéro de modèle, le numéro de série, et le numéro de stock (La Figure 1). Cette information sera nécessaire pour toute commande de pièces ou demande de services d'entretien. Noter cette information ci-dessous pour qu'elle soit toujours disponible. Pour commander des pièces de rechange, contacter un concessionnaire ou centre de service Suburban local.  
Pour obtenir l'adresse d'une agence d'entretien locale, contacter Suburban Manufacturing Company, département service-client: 423-775-2131 ou télécopie: 423-775-7015.  
N° de modèle \_\_\_\_\_ N° de stock \_\_\_\_\_  
N° de série \_\_\_\_\_ Date d'achat \_\_\_\_\_
- La conception de ces appareils est homologuée seulement pour l'alimentation au gaz propane. Ne pas entreprendre une conversion pour l'alimentation au gaz naturel.
- Lors d'un contrôle du réglage du détendeur, utiliser une pression de gaz supérieure d'au moins 1 po (colonne d'eau) à la pression de réglage suggérée.  
Pression d'alimentation minimum - 11 po (colonne d'eau)  
Pression d'alimentation minimum - 14 po (colonne d'eau)

# INSTALLATION

**AVERTISSEMENT! L'installation de cet appareil doit être exécutée en accord avec les instructions écrites fournies dans le manuel. Aucun agent-représentant ou employé de Suburban ou autre personne, n'a l'autorité pour changer, modifier ou déroger le contenu des instructions fournies dans ce manuel.**

- Aux É.-U., l'installation doit satisfaire les prescriptions des codes d'état ou autres codes; en l'absence de tels codes, consulter la dernière édition de:
  - Standard for Recreational Vehicles ANSI A119.2/AFPA 501C (norme pour véhicules récréatifs).
  - National Fuel Gas Code ANSI Z223.1 (code national des installations à gaz).

Au Canada, l'installation doit satisfaire les prescriptions de:

- Norme CAN/ACNOR Z-240.4.2-M86, Installation des équipements et appareils à propane dans les véhicules récréatifs.
- Tout règlement ou code local en vigueur.

- Dégagements de séparation des murs - valeurs à respecter au-dessus et au-dessous du plan de travail. Voir Figure 1A

| Modèle         | Sous le plan de travail | Entre l'axe des brûleurs et un matériau combustible vertical adjacent au-dessus des brûleurs de la table de cuisson |                      |             |
|----------------|-------------------------|---|----------------------|-------------|
|                | Côtés, arrière et fond  | Mur latéral à droite  | Mur latéral à gauche | Mur arrière |
| SCNA3<br>SCSA3 | 0 po                    | 6 po  | 6 po                 | 9 po        |
| SRNA3<br>SRSA3 | 0 po                    | 6 po  | 6 po                 | 9 po        |

- Dimensions pour l'espace d'encastrement - Voir Figure 2.

| Modèle           | Dimensions |           |      |        |
|------------------|------------|-----------|------|--------|
|                  | A          | B         | C    | D      |
| SRNA3S<br>SRSA3S | 18 5/8 po  | 16 po     | 2 po | 7/8 po |
| SRNA3L<br>SRSA3L | 18 5/8 po  | 21 3/4 po | 2 po | 7/8 po |
| SCNA3<br>SCSA3   | 18 5/8 po  | 3 5/8 po  | 2 po | 7/8 po |

**MISE EN GARDE: La distance verticale minimale de séparation des matériaux combustibles au-dessus de la table de cuisson est de 24 pouces, sous réserve que la distance de saillie de ces matériaux, par rapport au mur arrière, ne dépasse pas 13 po.**

NOTE: Homologations UL et ULC avec distance de séparation minimale des matériaux combustibles de 19 1/2 po au-dessus de l'appareil, en cas d'installation d'une hotte d'évacuation séparée des matériaux combustibles par une espace d'au moins 1/4 po.

- Vérifier la solidité de construction des placards. L'équerrage entre placards, plan de travail et façade des placards doit être respecté. Pour que ces appareils fonctionnent correctement, il faut que les placards soient d'aplomb.

Pour que cet appareil fonctionne correctement, il faut que la caisse soit d'aplomb et que la base de la cuisinière soit soutenue.

- Après préparation du placard conformément aux dimensions indiquées et l'installation de la canalisation de gaz, retirer la plaque supérieure et positionner l'appareil dans l'espace d'encastrement dans le placard. NOTE: Lors de l'installation, veiller à sceller l'ouverture de passage de la canalisation de gaz dans le placard.

**AVERTISSEMENT: Il est impératif que le placard ou logement dans lequel l'appareil est installé soit séparé de tout autre appareil, pour que l'alimentation des brûleurs supérieurs en air de combustion ne puisse être affectée par un appareil de chauffage à air pulsé ou par le circuit de retour d'air, ni par une quelconque source de pression positive ou négative comme (sans limitation) ventilateurs d'admission ou extraction d'air, ventilateur de circulation, etc. Une pression d'air négative suscitée par un autre appareil à air pulsé peut faire passer la flamme autour des brûleurs supérieurs et à l'intérieur de la table de cuisson; ceci ferait subir des dommages aux brûleurs et à la table de cuisson, et susciterait également un risque de blessures et/ou de dommages pour le véhicule. Un tirage positif pourrait susciter la séparation entre les flammes et le brûleur, ou même l'extinction des flammes - ce qui susciterait une sortie de gaz incontrôlée; lorsque le gaz atteindrait une flamme nue ou autre source d'inflammation, ceci provoquerait une explosion et/ou un incendie suscitant de dommages matériels, et peut-être des dommages corporels graves ou mortels.**

- Fixer l'appareil en place avec au moins six vis à bois (utiliser les trous prévus à cet effet dans les brides latérales ou la boîte des brûleurs et dans les pattes en bas du châssis avant).

- Vérifier que les boutons de commande sont à la position de fermeture. Raccorder l'appareil à la source de gaz, et ouvrir l'arrivée de gaz. Inspecter toutes les connexions pour rechercher des fuites: utiliser une solution d'eau savonneuse ou une solution non corrosive de détection des fuites. Ne pas utiliser une solution savonneuse contenant de l'ammoniaque.

**MISE EN GARDE: Utiliser uniquement du tube métallique rigide ou semi-rigide pour le raccordement de la cuisinière.**

**AVERTISSEMENT: Ne jamais utiliser une flamme nue ou autre source d'inflammation lors de l'inspection de recherche des fuites.**

NOTE: Lors de tout test de pressurisation du système à une pression de test supérieure à 1/2 lb/po<sup>2</sup> rel., l'appareil doit être déconnecté de la canalisation d'alimentation en gaz.

Lors de tout test de pressurisation du système à une pression égale ou inférieure à 1/2 lb/po<sup>2</sup> rel., l'appareil doit être isolé de la canalisation d'alimentation en gaz.

8. Réinstaller la plaque supérieure.

9. L'appareil est maintenant prêt à fonctionner. Avant de l'utiliser, lire les instructions de sécurité et instructions d'utilisation présentées dans ce manuel.

## SÉCURITÉ

**AVERTISSEMENT! Si l'utilisateur de cet appareil néglige de le maintenir dans les conditions dans lesquelles il avait été expédié de l'usine ou si l'appareil est utilisé intentionnellement dans un but autre que celui pour lequel il a été conçu, ou si l'appareil n'est pas maintenu en état selon les instructions contenues dans ce manuel; Conséquemment, le risque d'incendie et/ou de production d'oxyde de carbone se fera, ce qui peut causer des blessures personnelles, dommages de propriété ou la perte de vie.**

Aux fins de la sécurité et de la protection des utilisateurs, il convient de respecter les directives importantes présentées ci-dessous.

1. Ne jamais entreprendre une réparation sur l'appareil. Toute opération de réparation ou installation de cet appareil doit être exécutée par un installateur qualifié ou le personnel d'une entreprise d'entretien ou du fournisseur de gaz, en conformité avec les instructions présentées dans ce manuel. Toute intervention sur l'appareil par une personne autre qu'un technicien compétent et habilité pourrait dégrader l'intégrité de l'appareil et être la cause de dommages corporels ou matériels, voire d'un accident mortel.

2. Demander au vendeur de l'appareil d'indiquer où se trouve le robinet principal de fermeture de l'arrivée de gaz, et de montrer comment le fermer en cas d'urgence.

3. Utiliser la cuisinière/table de cuisson uniquement pour l'application prévue.

**AVERTISSEMENT! NE JAMAIS utiliser cet appareil comme un appareil de chauffage dans la pièce; ceci pourrait provoquer un empoisonnement par le monoxyde de carbone et une surchauffe du four.**

4. Si la cuisinière/table de cuisson est placée près d'une fenêtre, exercer les précautions appropriées pour que le vent ne puisse pousser les rideaux jusqu'aux brûleurs, ce qui susciterait un risque d'incendie.

5. Veiller à ne jamais remiser ou utiliser au voisinage de la table de cuisson un produit combustible comme essence ou autre produit liquide ou gazeux inflammable; ceci pourrait être la cause d'un incendie ou d'une explosion.

6. Ne pas laisser des enfants seuls ou sans supervision au voisinage de la cuisinière/table de cuisson en fonctionnement. Les brûleurs, les grilles de brûleurs et autres surfaces voisines des brûleurs deviennent très chaudes, et peuvent provoquer de graves brûlures.

7. Veiller à enseigner aux enfants qu'une table de cuisson ou cuisinière n'est pas un jouet. On ne doit jamais laisser les enfants jouer avec les boutons de commande ou tout autre composant d'un appareil ménager. Ne jamais laisser personne s'asseoir sur la table de cuisson ou grimper dessus; ceci peut faire subir des dommages à la table de cuisson et provoquer également des dommages corporels.

8. Ne jamais remiser des articles qui intéressent les enfants dans les placards situés au-dessus ou à proximité de l'appareil. Un enfant qui grimperait sur l'appareil pour atteindre un objet pourrait subir de graves blessures.

9. Ne pas porter des vêtements amples ou à manches longues très amples lors de l'utilisation de l'appareil. Ces vêtements pourraient s'enflammer au contact de la flamme d'un brûleur, et provoquer de graves blessures.

10. Pour manipuler un ustensile chaud, utiliser uniquement des maniques sèches. L'emploi de maniques humides sur une surface chaude pourrait faire subir des brûlures aux mains. Ne pas utiliser comme manique une serviette ou un linge volumineux. Un tel article pourrait s'enflammer au contact de la flamme.

11. Ne jamais chauffer un récipient fermé (boîte de conserve). L'accumulation de pression à l'intérieur du récipient pourrait provoquer son explosion.

12. Veiller à la propreté de l'appareil. Toute accumulation de graisse ou produits alimentaires renversés peut susciter un risque d'incendie.

13. Éviter d'utiliser la cuisinière/table de cuisson ou un autre appareil si une odeur de gaz est perceptible. Ne jamais considérer qu'une odeur de gaz dans le V.R. est normale. Chaque fois qu'une odeur de gaz est perceptible, on doit la considérer comme une menace et en rechercher immédiatement la cause. Éteindre toute

flamme nue, y compris les cigarettes, et faire sortir du véhicule toute personne qui s'y trouve. Fermer le robinet de la bouteille de propane (voir l'avertissement de sécurité en première page de ce manuel).

14. Orienter la poignée de chaque ustensile vers l'intérieur ou vers l'arrière de la table de cuisson pour que des enfants ne puissent l'atteindre ou pour qu'une personne passant devant l'appareil ne la heurte pas. Veiller à ce que la poignée d'un ustensile ne soit jamais au-dessus d'un brûleur.

15. Ne pas essayer d'éteindre un feu de graisse avec de l'eau. Ne jamais saisir un ustensile enflammé. Pour éteindre un feu qui s'est déclaré dans un ustensile, placer un couvercle plat sur l'ustensile. Pour éteindre un feu de graisse hors d'un ustensile, utiliser du bicarbonate de sodium ou un extincteur polyvalent à produit chimique sec.

16. Ne pas utiliser le four comme espace de rangement.

17. Lorsque le four est utilisé, ne pas recouvrir les ouvertures d'admission d'air; voir La Figure 4 toute restriction de l'admission d'air aux brûleurs du four dégrade la qualité de la combustion et suscite la formation de monoxyde de carbone.

**AVERTISSEMENT! NE JAMAIS recouvrir des ouvertures ou passages dans le fond du four ni recouvrir toute une grille avec un matériau tel qu'une feuille d'aluminium; ceci réduirait la circulation de l'air à travers le four et pourrait provoquer un empoisonnement par le monoxyde de carbone. Un garnissage de feuille d'aluminium peut aussi retenir la chaleur et susciter un risque d'incendie.**

18. Ne jamais laisser l'appareil sans surveillance lorsqu'un brûleur est allumé.

- Un brûleur peut s'éteindre sous l'effet d'un courant d'air suscité par l'ouverture ou la fermeture d'une porte ou de la porte d'un placard dans le véhicule et/ou sous l'effet d'une différence de pression d'air positive ou négative imputable à une installation incorrecte (voir la section Installation, paragraphe 6). Après l'extinction accidentelle d'un brûleur, le gaz continuerait à s'écouler et ceci provoquerait la formation d'un mélange explosif dans le V.R. Ne pas oublier que l'alimentation en gaz de chaque brûleur est commandée manuellement. On doit placer le robinet de commande d'un brûleur à la position de marche "ON" ou à la position d'arrêt "OFF".
- L'ébullition du contenu d'un ustensile pourrait provoquer un débordement et l'inflammation du produit renversé.

19. Taille des flammes

- Régler toujours un brûleur de telle manière que les flammes ne dépassent pas la périphérie de l'ustensile. Le dépassement des flammes au-delà de l'ustensile suscite un gaspillage de chaleur et d'énergie.
- La taille de flamme correcte à utiliser dépend de la taille et du matériau de l'ustensile, et de la nature du contenu (liquide, solide, etc.).


20. Pour éviter une détérioration de la table de cuisson, des brûleurs ou des grilles, ne pas faire fonctionner un brûleur de la table de cuisson sans qu'un ustensile soit en place. On ne doit pas faire fonctionner un brûleur de la table de cuisson à la puissance maximum pendant une période prolongée, particulièrement le brûleur le plus puissant. Utiliser la puissance de chauffage maximum seulement pour amorcer une cuisson ou pour faire bouillir un liquide, puis réduire la puissance de chauffage à une valeur moins élevée pour poursuivre la cuisson. Utiliser la puissance de chauffage minimale pour maintenir la température d'un mets. Il ne faut pas oublier qu'un brûleur à gaz chauffe plus rapidement qu'un élément chauffant d'une cuisinière électrique; par conséquent il convient d'expérimenter avec le réglage de la puissance de chauffage pour se familiariser avec les résultats.

Ne jamais utiliser un ustensile de cuisine qui dépasse de plus de un pouce autour du brûleur (diamètre maximum d'une poêle: 10 po). Ne jamais placer un ustensile de cuisine en chevauchement sur deux brûleurs en fonctionnement; ceci susciterait une accumulation excessive de chaleur qui ferait subir des dommages aux grilles, aux brûleurs et à la table de cuisson.

## INSTRUCTIONS D'UTILISATION

### A. BRÛLEURS DE LA TABLE DE CUISSON

1. Déterminer quel brûleur est commandé par chaque bouton de commande. Veiller à toujours utiliser le bouton de commande approprié.

2. Appuyer sur le bouton et faire tourner le bouton complètement dans le sens antihoraire  jusqu'à la position "Lite".


- Vérifier que le gaz arrive en quantité suffisante avant d'essayer d'allumer le brûleur. La présence d'air dans la canalisation retardera sensiblement l'allumage du brûleur. L'inflammation peut survenir intempestivement alors que l'air présent dans la canalisation est progressivement remplacé par du propane. L'utilisateur pourrait ainsi subir une brûlure lors de l'inflammation inattendue du gaz. De l'air peut s'introduire dans la


canalisation de gaz lors d'un changement/remplissage de la bouteille de gaz, lors d'une opération d'entretien effectuée sur un appareil alimenté par la même canalisation, etc.


b. Allumer un seul brûleur à la fois.


c. Tenir une longue allumette près des ouvertures pour allumer instantanément le brûleur d'un modèle à suffixe "M". (Par exemple SRNA3LWBM; SRSA3SWBM). **MISE EN GARDE: Il est possible d'utiliser un briquet à gaz, s'il est d'un type conçu pour les brûleurs à flamme nue.**

Pour un appareil à suffixe "E" (exemple : SRNA3LWBE; SRSA3SWBE) faire tourner rapidement le bouton du dispositif piézo-électrique dans le

sens horaire  pour provoquer l'allumage du brûleur. Le dispositif génère des étincelles qui enflamment le gaz.

3. Si un brûleur s'éteint après l'allumage initial ou accidentel-lement, fermer l'arrivée de gaz; faire tourner le bouton dans le sens horaire  jusqu'à la position d'arrêt "OFF"; attendre cinq (5) minutes avant d'essayer d'allumer de nouveau le brûleur. Le non-respect de ces instructions pourrait provoquer incendie ou explosion.



Si le brûleur s'éteint au cours d'une cuisson, ou si une odeur de gaz est perceptible, faire tourner le bouton dans le sens horaire  jusqu'à la position d'arrêt "OFF"; attendre cinq (5) minutes pour que l'odeur de gaz disparaisse. Si l'odeur de gaz persiste, ne pas allumer de nouveau le brûleur. Voir en première page de ce manuel la section "Que faire si une odeur de gaz est perceptible".

4. Pour éteindre un brûleur, faire tourner le bouton de commande approprié dans le sens horaire  jusqu'à la position d'arrêt "OFF".

**AVERTISSEMENT: Veiller à ce que chaque bouton de commande soit à la position d'arrêt "off" lorsqu'un brûleur n'est pas utilisé. Si un brûleur est laissé allumé par accident ou laissé sans surveillance même momentanément, quelqu'un pourrait subir une brûlure ou un incendie pourrait se déclarer.**

## B. BRÛLEUR DU FOUR

NOTE: Pour que le brûleur du four puisse fonctionner, on doit d'abord allumer la flamme de veille.

1. Allumage de la flamme de veille.
  - a. Vérifier que **TOUS** les boutons de commande sont à la position d'arrêt "OFF". Le bouton de commande du four devrait être à la position d'arrêt "OFF".
  - b. Vérifier que l'arrivée de gaz est ouverte.
  - c. Ouvrir la porte du four; si une odeur de gaz est perceptible ne rien faire d'autre! Lire les instructions présentées en première page de ce manuel, et agir en conséquence.
  - d. Si aucune odeur de gaz n'est perceptible, placer le bouton à la position <<Pilot>> "Push In/Lite Pilot" (enfoncer pour allumer la flamme de veille).
  - e. Allumer immédiatement la flamme de veille avec une allumette. Maintenir le bouton enfoncé pendant au moins 5 à 7 secondes pour permettre à la flamme de réchauffer le thermocouple. Lâcher le bouton; la flamme de veille devrait rester allumée. **NOTE:** Si l'appareil n'a pas été utilisé pendant une longue période, il faudra maintenir le bouton enfoncé plus longtemps pour que l'air résiduel présent dans les conduits puisse être expulsé avant l'allumage de la flamme de veille. Si la flamme de veille s'éteint, répéter les étapes a, b, c, d.
2. Utilisation du brûleur du four.
  - a. Faire tourner le bouton de commande dans le sens anti-horaire,  jusqu'à la position désirée. Le brûleur du four s'allume immédiatement, et il reste allumé jusqu'à ce que la température choisie soit atteinte; le débit thermique du brûleur est ensuite réduit. Ceci est normal avec ce type de thermostat; les flammes de taille réduite maintiennent une température constante dans le four. **NOTE: Le thermostat du four a été étalonné à l'usine; il n'est pas réglable sur place.**
  - b. Pour une cuisson au grill, on peut se procurer un plat à grill de porcelaine (2 pièces) auprès de Suburban:
    1. Centrer le plat à grill sous la flamme du brûleur du four.
    2. Retourner fréquemment les aliments pour obtenir une cuisson uniforme.
3. Extinction Du Brûleur Du Four  
Faire tourner le bouton de commande dans le sens horaire  jusqu'à la position "Pilot ON". À cette position, seule la flamme de veille est allumée.
4. Extinction De La Flamme De Veille  
Appuyer légèrement sur le bouton, et tourner le bouton jusqu'à la position d'arrêt "OFF". À cette position, la flamme de veille s'éteint.

**MISE EN GARDE: Il est également judicieux de fermer l'arrivée de gaz lorsque le véhicule récréatif n'est pas utilisé, ou lors d'un trajet du véhicule.**

## ENTRETIEN

1. Avant d'entreprendre un nettoyage, vérifier que tous les boutons de commande sont à la position d'arrêt "Off" et que les surfaces de la table de cuisson et du four sont froides.
2. Avant d'entreprendre un nettoyage ou démontage de la table de cuisson, vérifier que toutes les surfaces de la table de cuisson, les grilles de brûleur et les brûleurs sont froids.
3. Ne pas utiliser un produit de nettoyage de four, agent de blanchiment ou produit antirouille sur la table de cuisson ou les grilles de brûleur.
4. Après un renversement de produits alimentaires, nettoyer toutes les surfaces de l'appareil dès que c'est possible.
5. Utiliser seulement de l'eau savonneuse tiède pour nettoyer les grilles de brûleur, la table de cuisson, les surfaces peintes, les surfaces émaillées ou d'acier inoxydable, et les composants de plastique de la table de cuisson. Ne jamais utiliser un produit de nettoyage acide ou abrasif. Ne pas utiliser un produit de nettoyage contenant de l'ammoniac. Ces types de produits de nettoyage sont corrosifs et peuvent endommager les composants de la table de cuisson.
6. Ne jamais utiliser de laine d'acier ou un produit de nettoyage abrasif. Ces produits endommageront la finition du four et de la table de cuisson. Utiliser uniquement un tampon à recurer de plastique, non-abrasif.
7. Ne pas laisser séjourner sur les surfaces peintes ou émaillées des aliments contenant des acides (citron, jus de tomate, vinaigre). Les acides peuvent dégrader la finition lustrée.

8. Ne pas laver les surfaces émaillées chaudes. Laisser ces surfaces refroidir avant de les nettoyer. On pourrait se brûler ou provoquer la fissuration de l'émail.

9. Le séjour prolongé de produits alimentaires renversés sur l'acier inoxydable provoque des changements de teinte et une corrosion fine.

10. Ne pas laisser des produits alimentaires renversés séjourner sur les chapeaux de brûleur. Des taches permanentes resteraient sur les chapeaux de brûleur.

11. En cas d'obstruction du gicleur ou des orifices d'un brûleur, éliminer prudemment l'obstruction avec un petit fil de niétral ou une aiguille. Assurez vous de ne pas élargir les gicleurs ou orifices. Ne jamais utiliser une brosse métallique pour ce nettoyage. Ne jamais utiliser un pinceau à soies fragiles, dont des soies pourraient rester bloquées dans le gicleur ou dans le brûleur; ceci pourrait ensuite provoquer un incendie ou une explosion.

## DÉPOSE DE LA GRILLE ET DE LA TABLE DE CUISSON POUR RÉPARATION ET NETTOYAGE

1. Soulever la grille pour l'enlever. Veiller à ne pas perdre les bagues de positionnement (dans chaque angle).
2. Saisir la table de cuisson au centre et soulever l'avant d'environ 3 po. Si votre appareil comporte des brûleur scelles, débranchez le fil piezoelectrique de que brûleur.
3. Faire glisser la table de cuisson vers l'avant pour dégager des deux ressorts à l'arrière. Soulever la table de cuisson.

## RÉINSTALLATION

1. Rebranchez les fils piezoelectriques de chaque brûleur si vous les aviez retirés.
2. Aligner les fentes du rebord arrière avec les pattes des agrafes à ressort. Enfoncer la table de cuisson et appuyer à l'avant pour obtenir l'emboîtement des agrafes.
3. Réinstaller la grille: aligner les quatre (4) pieds avec les quatre (4) bagues de positionnement de la table de cuisson. Enfoncer la grille dans les trous de positionnement; veiller à ne pas déloger les bagues.

## PORTE DU FOUR

Ne pas placer une charge excessive sur la porte du four lorsqu'elle est ouverte, et ne pas prendre appui sur la porte du four ouverte; dans certains cas ceci pourrait provoquer un basculement de l'appareil et des blessures, et des détériorations de l'appareil et de la porte qui rendraient l'utilisation de l'appareil dangereuse.

Lors de l'ouverture de la porte du four, laisser la vapeur et l'air chaud s'échapper avant d'introduire une main dans le four pour saisir un plat ou pour ajouter ou retirer les aliments.

## GRILLE DU FOUR

La cuisinière de VR est dotée d'une grille, qu'on peut placer à l'une de deux ou trois positions. La grille du four comporte un dispositif de blocage de sécurité qui l'empêche de sortir complètement du four lorsqu'on la fait glisser vers l'extérieur pour y placer ou enlever un plat. La grille comporte également deux pattes de retenue qui l'empêchent de bouger lorsque le véhicule est en déplacement. Voir la Figure 6.

**MISE EN GARDE: Ne pas tenter de changer la position de la grille lorsque le four est chaud.**

Extraction de la grille: Vérifier que la grille est froide. Tirer la grille jusqu'à la position de butée. Ceci libère les deux pattes de retenue sur les côtés de la grille. Soulever l'avant de la grille puis tirer pour retirer complètement la grille du four.

Installation de la grille: Placer la grille dans le four sur les supports. Faire glisser la grille jusqu'à la position de butée, puis soulever puis pousser la grille vers l'arrière au-delà des deux bossages qui agripperont les pattes de retenue pour empêcher la grille de bouger lors d'un déplacement du véhicule.

## FOUR

Lors d'une cuisson au four, utiliser un ustensile de taille adéquate pour éviter un débordement du contenu.

Ne jamais placer un ustensile de cuisson ou une feuille d'aluminium directement sur le fond du four; ceci obturerait les ouvertures situées au fond du four et entraverait la circulation d'air à l'intérieur du four; ceci provoquerait alors une cuisson non uniforme, avec des zones de carbonisation ou de cuisson insuffisante.

Dépose: Après le refroidissement, enlever la grille du four; ôter une (1) l'ensemble vis/écrou fixant le brûleur du four au fond du four (A - Figure 7). Ôter les quatre (4) vis qui connectent le fond du four avec les parois latérales et de l'arrière (B - Figure 7); saisir la plaque du fond du four pour l'extraire en tirant.

Réinstallation: Positionner le rebord arrière du fond pour aligner les deux trous à l'arrière du four. Fixer avec (2) vis. Fixer la plaque du fond du four sur les côtés avec deux (2) vis (B - Figure 7).

Fixer le brûleur sur le fond du four (vis et écrou).

# **GARANTIE LIMITÉE**

## **SUBURBAN - CUISINIÈRES POUR VÉHICULES RÉCRÉATIFS**

### **GARANTIE LIMITÉE - DE DEUX ANNÉE**

Suburban garantit, au bénéfice de l'acquéreur initial, que ce produit est exempt de vices de matériau et de fabrication, lorsqu'il est soumis aux conditions normales d'utilisation et d'entretien, pendant une période de deux ans à compter de la date d'acquisition (que l'appareil soit ou non mis en service à cette date). Les pièces émaillées, ceci incluant les grilles des brûleurs, sont seulement garanties comme étant commercialement acceptables à la date de fabrication du produit. C'est au consommateur/propriétaire qu'incombe la responsabilité de faire la preuve de la période de garantie. Suburban n'utilise aucune carte d'enregistrement de garantie pour sa garantie standard. Le propriétaire d'un produit doit faire la preuve de la date d'achat au moyen de la facture de vente et autre document de paiement.

Suburban remplacera toute pièce qui s'avérerait être défectueuse au cours des deux premières années et versera directement le montant des frais de main d'oeuvre au centre de service recommandé Suburban, selon le tarif fixé par accord mutuel entre Suburban et ses centres de service recommandés. Les pièces de rechange seront expédiées F&B au centre de service recommandé chargé d'effectuer les réparations aux États-Unis (continent et Alaska) et au Canada. Les frais de fret, expédition et livraison sont à la charge du propriétaire du produit. Les pièces de rechange utilisées ne bénéficient de la garantie que jusqu'à l'expiration de la garantie initiale du produit. Avant de faire effectuer des travaux sous garantie, vérifier que l'établissement d'entretien contacté est un centre de service recommandé par Suburban. NE JAMAIS PAYER LES FRAIS DE RÉPARATION À L'AGENCE DE RÉPARATION; CES PAIEMENTS NE SERONT PAS REMBOURSÉS.

Suburban se réserve le droit d'inspecter l'appareil défectueux ou les pièces défectueuses, et le propriétaire a l'obligation de retourner les pièces défectueuses ou l'appareil défectueux à Suburban ou à son représentant. Lors de l'expédition d'un appareil défectueux l'envoi doit inclure tous les composants de l'appareil et la plaque signalétique portant le numéro de série. Lors de l'envoi de composants défectueux, ils doivent être étiquetés individuellement et identifiés avec numéro de modèle et numéro de série de l'appareil, et date d'installation.

Pour obtenir le service sous garantie, le propriétaire/utilisateur de l'appareil doit contacter le plus proche centre de service recommandé Suburban, et communiquer le numéro de modèle et le numéro de série de l'appareil (plaque signalétique, sous la table de cuisson), ainsi que la nature de l'anomalie observée. Les frais de transport du véhicule récréatif entre le lieu d'utilisation de l'appareil et le centre de service, ou les frais de déplacement du technicien jusqu'au lieu d'utilisation de l'appareil, sont à la charge du propriétaire/utilisateur de l'appareil. On peut obtenir une liste récente des centres de service recommandés à Suburban's l'adresse: [www.rvcomfort.com](http://www.rvcomfort.com). S'il n'y a pas de centre de service recommandé local, un responsable de l'établissement choisi pour l'exécution de travaux sous garantie doit contacter notre département de service au (423) 775-2131 avant d'effectuer les réparations pour obtenir une autorisation. Suburban ne paiera aucune réparation exécutée sans autorisation.

### **LIMITATION DES GARANTIES**

Par la présente, la durée de la période de validité des garanties implicites (ceci incluant les garanties implicites de qualité marchande) est limitée à la période de validité de chaque garantie accordée. Certaines provinces n'admettent pas la limitation de la durée de validité des garanties implicites; par conséquent la limitation ci-dessus peut ne pas vous être applicable. Les garanties expresses formulées dans ce document de garantie sont les seules garanties accordées; aucun distributeur, revendeur ou autre personne n'est habilité à modifier les garanties expresses accordées ou à en étendre la portée.

### **SUBURBAN N'ASSUMERA AUCUNE RESPONSABILITÉ AU TITRE DE:**

1. Entretien normal, tel que ceci est décrit dans le manuel d'installation, utilisation et entretien remis au propriétaire, ceci incluant nettoyage de composants et nettoyage ou remplacement des gicleurs de brûleur.
2. Inspection initiale et inspections ultérieures indiquant que l'appareil fonctionne correctement, ou diagnostic sans réparation.
3. Dommages ou réparations imputables à installation ou utilisation incorrecte, non conforme aux instructions de Suburban.
4. Détérioration quelconque des pièces peintes ou émaillées (fissuration, écaillage, rayures, etc.)
5. Impossibilité de fonctionnement imputable à câblage électrique déconnecté, pression de gaz incorrecte, tension insuffisante, présence d'eau ou souillures dans organes de commande, réservoir ou canalisation de gaz.
6. Nettoyage ou réglage de composant, électrode, tubes de combustion, flamme pilote ou thermocouple.
7. Coûts nécessaires pour accéder à l'appareil.
8. Pièces ou accessoires non fournis par Suburban.
9. Frais de transport relatifs aux pièces de rechange.
10. Dommages et réparations imputables à utilisation incorrecte, emploi abusif, modification ou réparation non autorisée, utilisation incorrecte de l'appareil, carence d'entretien.
11. Produit Suburban dont le numéro de série a été modifié, effacé ou détruit.
12. Produit Suburban installé ou utilisé hors des É.-U. (continent, Alaska, Hawaï) et du Canada.
13. Dommages imputables à inondation, vent, foudre, accident, atmosphère corrosive ou autres situations sur lesquelles Suburban n'a aucun contrôle.
14. DOMMAGES ET INTÉRÊTS À QUELQUE TITRE QUE CE SOIT (DOMMAGES DIRECTS OU INDIRECTS, DOMMAGE MATÉRIEL, ÉCONOMIQUE OU COMMERCIAL, ETC.). Certaines provinces n'admettent pas l'exclusion des dommages secondaires ou indirects; par conséquent, la limitation ci-dessus peut ne pas vous être applicable.

AUCUN REPRÉSENTANT, REVENDEUR, DES CENTRES DE SERVICE RECOMMANDÉ OU AUTRE PERSONNE N'EST HABILITÉ À SOUSCRIRE AU NOM DE SUBURBAN MANUFACTURING COMPANY DES ENGAGEMENTS OU OBLIGATIONS ADDITIONNELS OU DIFFÉRENTS EN RAPPORT AVEC LA VENTE DE CE PRODUIT SUBURBAN.

Cette garantie vous confère des droits juridiques spécifiques; vous pouvez également jouir d'autres droits, variables d'une province à une autre.

### **SI UN PROBLÈME SE MANIFESTE**

#### **UN:**

Si le V.R. est encore équipé de son appareil d'origine et s'il est encore couvert par la garantie du constructeur du V.R., procéder conformément aux instructions du concessionnaire ou constructeur de votre véhicule récréatif.

#### **DEUX:**

Contacter le plus proche centre de service Suburban recommandé. Décrire la nature du problème; prendre rendez-vous si c'est nécessaire et organiser la livraison de votre véhicule récréatif au centre de service choisi.

#### **TROIS:**

Pour obtenir l'adresse d'un centre de service local, contacter:

Suburban Manufacturing Company  
Département service-client  
676 Broadway Street  
Dayton, Tennessee 37321  
(423) 775-2131, Ext. 1  
[www.rvcomfort.com](http://www.rvcomfort.com)